

2013-2014

**New - ONLINE Pricing**  
**Sign Up Today at [www.loaders.com](http://www.loaders.com)**



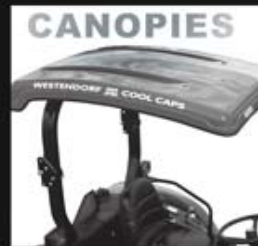
**MAX**  
SERIES



100 SERIES



TA SERIES



CANOPIES



CUSTOM  
CONTOUR



LWL SERIES



XTA  
SERIES



STACKSAVER



WAGONS



BRUSH  
CRUSHER



FM SERIES



CAT CLAW



LANDSCRAPER

WESTENDORF  
Landscraper  
OSAWA, IOWA

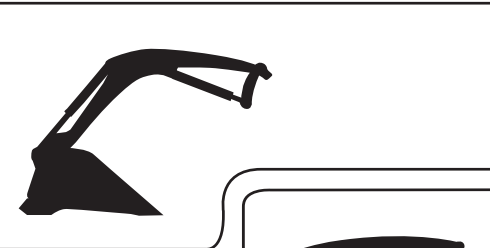
# WESTENDORF

SALES MANUAL AND PRICE GUIDE



**NEW MAX SERIES**

These extra strong MAX loaders have an intelligent design that offers unsurpassed quality, performance and strength. Unmatched styling, fast and easy implement changes with the push of a button; and, no-spill Flat Face Hydra-Snap™ for quick hydraulic hook ups. The tailored shape eliminates tunnel vision that normally comes with other loaders. The Smart-Lock system is a self-aligning, self-standing, and self-locking mounting system. Its simple, solid-mount design with Max Grip will boost your confidence when mounting or dismounting a loader.



**FREEDOM MOUNT SERIES**

Inspired by the greater time demands of today's tractors and modern farmer, Westendorf has revolutionized the way a loader is mounted and dismounted with the new patented Freedom Mount system. This fully loaded series offers more strength and functionality with a low-profile fit on very large front wheel assist tractors.



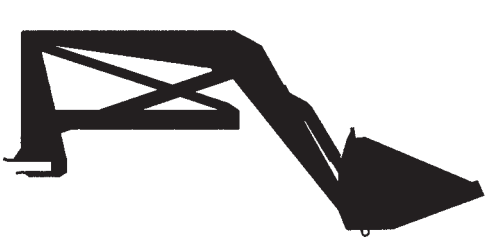
**COMPACT 100 SERIES**

Designed for 2WD and 4WD tractors up to 90 HP with the full features of the Westendorf line. These include the patented quick-change buckets with the famous patented Power-Mount™ and dismount features. They require no dangerous stands, have excellent lift height and large capacities. Manifold and valve package is included. A line of Westendorf attachments is available. Mounting brackets are clean and simple in design so when the loader is off, your tractor is free. The TA-170 and TA-180 loader packages come standard with our new Remote Cable Joystick and patented tapered buckets for easier cleanout.



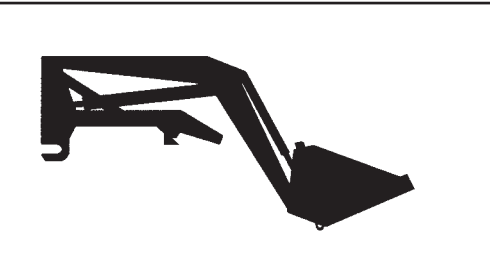
**WL SERIES**

This "Tried & True" series is designed to fit 2WD & some 4WD tractors. It includes Power-Mount™, and the patented Snap-Attach™ System which allows quick bucket removal and attachment hook-up without leaving the tractor seat. Loaders have higher lift, larger capacity buckets and low profile design. Most WL loaders have power linkage for excellent roll back and dump angles. The WL-64 is a 4WD model with a 15' lift height and mechanical self-leveling. The WL-42 & 44 have mechanical self-leveling while other models have the capability of adding hydraulic self-leveling.



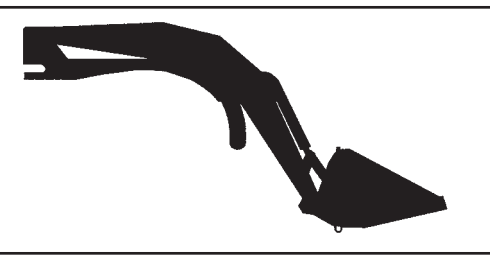
**TA SERIES**

With over ten models, the TA series incorporates many features and benefits that most people want in a loader today. It fits our patented uni-fit bracket system so you can use the same loader on two different tractors, which is one of the reasons the resale value of these loaders is so great. These loaders are "Stone Black" in color and designed to fit the entire range of horsepower in both 2WD and 4WD tractors. They include features such as excellent roll back and dump angles, add-on self-leveling, no-spill self-leveling, and Westendorf's patented features. The TA Series has the Power-Mount™ and the Snap-Attach™ system, and still maintains low profile for good visibility.



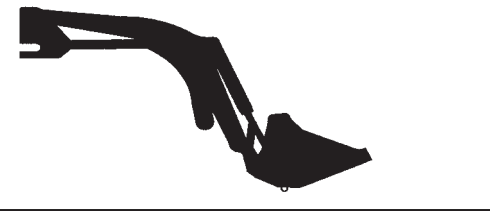
**XTA SERIES**

These extra strong "Traction Action" loaders are heavy duty and designed to fit tractors with larger tires and, in many cases, those with fenders. The XTA series has our patented Power-Mount™ which allows the operator to hydraulically power mount or dismount the loader in minutes, with no tools or dangerous stands, and the patented Snap-Attach™ System which allows the operator to take off the bucket quickly and hook-up attachments without ever leaving the tractor. It is available for both 2WD and 4WD tractors. This series offers great oscillation and good lift height.



**CUSTOM CONTOUR SERIES**

This series features the new "Custom Contour" look with a sleek design that fits the shape of today's tractors. It includes features like Power-Mount™, Snap-Attach™ and Hydra-Snap™ which couples all the hoses with one quick motion so they never get mixed up again. The new "Electric Ice" color, hidden hydraulic lines and exceptional bucket action brings this loader to the forefront of the loader industry.



**MAX SERIES**

20 SERIES	MAX420	11' 6" Lift Height	120
40 SERIES	MAX420	11' 6" Lift Height	120

**HP Ratings**  
4WD HP LISTED  
20 Series = 39" wide  
40 Series = 45.5" wide

**FREEDOM MOUNT SERIES**

40 SERIES	FM-540	13' Lift Height	130
	FM-550	14' Lift Height	165
	FM-560	15' Lift Height	200
70 SERIES	FM-570	15' Lift Height	210
	FM-580	16' Lift Height	260
80 S	FM-585	16' Lift Height	260

20 Series = 39" wide  
40 Series = 45.5" wide  
70 Series = 54" wide  
80 Series = 62" wide

**COMPACT 100 SERIES**

	TA-52	6'1" Lift Height	24
	TA-55	7'2" Lift Height	24
	TA-111	8'3" Lift Height	35
	TA-140	7'7" Lift Height	30 35
	TA-160	9'5" Lift Height	50 60
	TA-170 / 175	10'2" Lift Height	65 70
	TA-180 / 185	11' Lift Height	80 90

**HP Ratings**  
4WD HP LISTED FIRST  
2WD HP LISTED SECOND  
TA-52 TA-55 = 39" wide  
100 Series = 36" wide

**WL SERIES**

20 SERIES	WL-21	10' Lift Height	80
	WL-27	12' Lift Height	100
40 SERIES	WL-42	12'6" Lift Height	160
	WL-44	13' Lift Height	130 160
	WL-49	14' Lift Height	185
	WL-61	13'8" Lift Height	160
	WL-64	15' Lift Height	225 240

20 Series = 39" wide  
40 Series = 45.5" wide  
70 Series = 54" wide

**TA SERIES**

20 SERIES	TA-25	9'4" Lift Height	60 75
	TA-26/26+	10'5" Lift Height	90 120
	TA-26-12	12' Lift Height	90 120
40 SERIES	TA-28	13'4" Lift Height	120 160
	TA-28+	13'4" Lift Height	135 165
	TA-29	13' Lift Height	135 165
70 SERIES	TA-45	13'4" Lift Height	130 160
	TA-46	13'9" Lift Height	165 190
	TA-48	14'3" Lift Height	185 210
	TA-76	15'2" Lift Height	225 240
	TA-77	17'4" Lift Height	225 240

20 Series = 39" wide  
40 Series = 45.5" wide  
70 Series = 54" wide

**XTA SERIES**

40 S.	XTA-400	13' Lift Height	175 200
70 S.	XTA-700	15' Lift Height	210 250

40 Series = 45.5" wide  
70 Series = 54" wide

**CUSTOM CONTOUR SERIES**

40 SERIES	CC-330	10'9" Lift Height	85 110
	CC-340	11'4" Lift Height	120 160
	CC-360	14'2" Lift Height	180 200
70 S.	CC-370	15' Lift Height	210 250

40 Series = 45.5" wide  
70 Series = 54" wide

**BREAKNECK SERVICE**

Contrary to popular belief, it doesn't take months to get a loader. At Westendorf, we do our best to ship your complete bracket package in 3 days.

Our knowledgeable sales staff is ready and willing to answer all your questions. When you are ready to step above all the rest, call a Loader Specialist and learn first hand what it means to own a Westendorf!



**What Does "Patented" Mean to Me?**

Since 1934, Westendorf has been developing, innovating and leading the industry in patented designs. These items like the Snap-Attach™, Power-Mount™ loaders, Hydra-Snap™, Remote Control Coupler, and Brush Crushers are only available from Westendorf!

**WARNING!**

The tractor must be equipped with an approved Roll Over Protection Structure (ROPS) and safety belt to prevent personal injury or death caused by tractor roll over. Rear tractor ballast may also be required. Please read your tractor and loader manuals before operation.



# CHOOSE THE RIGHT LOADER FOR THE JOB

At Westendorf we know that selecting the right piece of equipment to match the task at hand is the best way to satisfy a customer and build a long standing relationship. Use the chart below to compare the material handling applications of your customer to select the best loader series and model.

LOADER MODEL	HP RATING					FIT • FEATURES • VERSATILITY										ADAPTER			SPECS			APPLICATIONS					
	10 HP - 49 HP	50 HP - 99 HP	100 HP - 149 HP	150 HP - 199 HP	200 HP and UP	2WD Tractor Fit	4WD Tractor Fit	Large Tires & Fenders	Versatility - 30' Rows	Mech. Self-Leveling	Lineless Arms-Cylinders	Rotational Indicators	Power Linkage	Attachment Use	Quick-Mount/Dismount	Quick-Attach	Snap-Attach™	Remote Control Coupler	Skid-Steer Adapter	Lift Height - Inches	Lift Capacity - lbs.	Std Bucket Width - In.	High Lift - Hay	Hyd-Duty - Feed Cattle	General Farm Use	Landscape - Dirt Work	
<b>100 Series</b>																											
TA-52						●	●		○											73"	1350+	48"		○	○	●	●
TA-55						●	●		○										OPT	86"	1150	48"		○	○	●	●
TA-111						●	●		○										OPT	99"	2300	60"		○	○	●	●
TA-140						●	●		○										OPT	91"	2300	60"		○	○	●	●
TA-160						●	●	○	○										OPT	113"	2700	60"		○	○	●	●
TA-170						●	●	○	○										OPT	122"	2380	60"		○	○	●	●
TA-175						●	●	○	○										OPT	122"	3690	72"		○	○	●	●
TA-180						●	●	○	○										OPT	132"	4725	60"		○	○	●	●
TA-185						●	●	○	○										OPT	132"	4725	72"		○	○	●	●
<b>MAX Series</b>																											
MAX420						●	●	○	○	H	●	●	●	●	●			OPT	●	138"	5275	84"		○	○	●	●
MAX440						●	●	○	○	H	●	●	●	●	●			OPT	●	138"	5275	84"		○	○	●	●
<b>WL Series</b>																											
WL-21						●	○	○	○	H								OPT	OPT	120"	5925	72"		○	○	●	●
WL-27						●	○	○	○	H										144"	5450	72"		○	○	●	●
WL-42						●	○	○	○	B										150"	7025	84"		○	○	●	●
<b>TA Series</b>																											
TA-25						●	○	○	○	H									OPT	112"	5275	60"		○	○	●	○
TA-26						●	○	○	○	B									OPT	125"	5275	72"		○	○	●	○
TA-26 PLUS						●	○	○	○	B	○								OPT	125"	5275	72"		○	○	●	○
TA-26-12						●	○	○	○	H	○								OPT	144"	5615	72"		○	○	●	○
TA-28						●	○	○	○	H									OPT	160"	7475	84"		○	○	●	○
TA-28 PLUS						●	○	○	○	H									OPT	160"	7475	84"		○	○	●	○
TA-29						●	○	○	○	H									OPT	158"	8790	84"		○	○	●	○
TA-45						○	○	○	○	H										160"	7475	84"		○	○	●	○
TA-46						○	○	○	○	B										166"	7560	84"		○	○	●	○
TA-48						○	○	○	○	B										174"	8430	84"		○	○	●	○
TA-76						○	○	○	○	H										180"	7475	96"		○	○	●	○
TA-77						○	○	○	○	H										208"	9140	96"		○	○	●	○
<b>XTA Series</b>																											
XTA-400						○	○	○	○	B										156"	7900	84"		○	○	●	○
XTA-700						○	○	○	○	H										180"	10900	96"		○	○	●	○
<b>CC Series</b>																											
CC-330						○	○	○	○	H	○									129"	5275	72"		○	○	●	○
CC-340						○	○	○	○	H	○									136"	5800	84"		○	○	●	○
CC-360						○	○	○	○	H	○									170"	6850	84"		○	○	●	○
CC-370						○	○	○	○	H	○									180"	12300	96"		○	○	●	○
<b>FM Series</b>																											
FM-540						○	○	○	○	H	○									156"	5670	72"		○	○	●	○
FM-550						○	○	○	○	H	○									168"	7340	86"		○	○	●	○
FM-560						○	○	○	○	H	○									180"	7340	98"		○	○	●	○
FM-570						○	○	○	○	H	○									180"	7990	98"		○	○	●	○
FM-580						○	○	○	○	H	○									192"	9460	98"		○	○	●	○
FM-585						○	○	○	○	H	○									192"	9460	108"		○	○	●	○

○ Hydraulic Self-Leveling available ○ Mechanical Self-Leveling optional ● Mechanical Self-Leveling Standard

# HOW TO USE YOUR SALES MANUAL

## ONE-STEP **NEW** PACKAGE PRICING

### Just Look up the Tractor to Find a Complete Loader Package Price!

Look up tractor make & model.  Identifies the recommended fit(s). These are recommended based on tractor size; all loaders listed will fit and may match your customer's material handling applications better than the recommended fit. (i.e. high lift or lower price). Check footnotes on inside back cover for key information.

JOHN DEERE									
TRACTOR		LOADER SELECTION			MOUNTING BRACKETS			HYD.	
MODEL	WD	FIT	LOADER MODEL	FOOTNOTES	BRKT	KIT	PACKAGE PRICE	REAR AXLE KIT	VALVE JOYSTICK PKG
<b>4020</b>									
2			WL-27	AQ	JD2▲		7,994	460	A4
2		<input checked="" type="checkbox"/>	WL-42	AQ-BV	JD2▲		9,225	598	A4
2			WL-61		61JD2		10,837	460	A4
2			TA-26	AQ	JD2▲		7,272	460	A4
2			TA-26 Plus	AQ	JD2▲		7,712	460	A4
2			TA-26-12	AQ	JD2▲		8,532	460	A4
2			TA-28	AQ	JD2▲		9,157	575	A4
2			TA-28 Plus	AQ	JD2▲		1,605	65	A4

▲ Standard Stock Mounting Bracket  
 Recommended Fit(s)  
 Footnotes See Inside Back Cover  
 Bracket Mounting Kit Number  
 Complete Loader Pkg. Price  
 Rear Axle Kit  
 Optional Valve Package

**PACKAGES INCLUDE:** Loader with Power-Mount™ and Snap-Attach™ quick change bucket system, Mounting Brackets, Hoses, Hydraulic Manifold, Bucket Gauge Rod and Bucket.

For specific package contents and available upgrades - See Pages 1 - 68

### OPTIONAL VALVE & JOYSTICK PACKAGES

The recommended valve and joystick package is identified in the HYD. column. Reference page 52 for more information on the package contents and pricing.

### OPTIONAL DIRECT PLUMB KITS

Call for information and pricing on optional direct plumb kits.

Note: Valve prices vary for different hydraulic systems. Many tractors have both OC/CC or PFC option for the same tractor model. Be sure and check your tractor's hydraulic system to ensure an accurate quote.

## COMPACT 100 SERIES

Loaders for Compact Tractors Ranging from 10-90 HP

6-9

## NEW MAX SERIES

Loaders for 2 & 4WD Tractors Ranging from 60-120 HP

10-13

## WL SERIES

Loaders for 2WD Tractors Ranging from 80-240 HP

14-16

## TA SERIES

Loaders for 2 & 4WD Tractors Ranging from 30-240 HP

17-29

## XTA SERIES

Loaders for Daily or Heavy Users Ranging from 175-250 HP

30-31

## CUSTOM CONTOUR

Loaders with Slew, Superior Fit Ranging from 85-210 HP

32-35

## FREEDOM MOUNT

The Next Generation of Loaders Ranging from 130-260 HP

36-42

## SPECIALTY LOADERS

Custom and Special Tractor fits Ranging from 130-350 HP

43

## ATTACHMENTS & UPGRADES

44-61

## ADDITIONAL PRODUCTS

62-68

# WHY WESTENDORF

## SELL WHAT THE COMPETITORS CAN'T

Since 1934, Westendorf has been inventing and developing patents. Selling the products and features that are only available from Westendorf, patented items will position you a step ahead of the rest. Don't forget to mention these KEY PATENTED FEATURES:

- **Remote Control Coupling** - V-Shaped self-aligning design—changes attachments from the comfort of the tractor cab!
- **Flat Face Hydra-Snap™** - No-Drip one-lever hydraulic manifold with patented spiral lock technology.
- **Freedom-Mount™** - Quickly mount & dismount the loader hydraulically without the use of tools or cumbersome stands.
- **Bigger Bucket** - Our standard bucket is bigger and stronger than most competitors' high-capacity heavy-duty buckets.
- **Bracket Sets** - Use one loader on multiple tractors with a second set of brackets.
- **The Complete Westendorf System** - It's not just a loader, it's a complete material handling system with a complete line of time-saving attachments.

## New Product Overview

### MAX LOADER SERIES

The styling of Max not only has an undeniable WOW factor, but an intelligent loader design that offers unsurpassed quality, performance and strength.

- Change attachments from the seat with a button with the New Remote Control Coupler.
- Mount the loader from the comfort of your cab. No Stands. No Tools. No Pins required. The Smart-Lock latching system is self-locking, self-aligning and self-tightening; the more you use the loader the tighter the connection becomes.
- New Hydra-Snap allows hook-up of all hydraulic hoses AND an electronic circuit with one handle manifold.
- Keep fenders on most tractors with max turning ability.
- Max has hidden hydraulics inside the arms and positioned behind a sculptured jacket to protect the lines with style.
- Smart-Pac cylinders are exclusive to Westendorf and don't have any external hoses, lines or fittings for a cleaner appearance and longer hydraulic life. See Pages 10-13

### ADD-ON TOP EXTENSION FOR DOZER BLADES & SNOW SCRAPERS

Expand the capacity of the dozer blade or the new Snowscraper with this add-on top extension. See pg 61.

### BRUSH CRUSHERS

The perfect attachment for brush, tree limbs, logs, debris and more. The BC-8800 with 72" width is a great solution for everyday heavy users with skid-steer or loader adaptability. See Page 55.

Some Brush Crusher units DO NOT require hydraulics to open and close. They work with what you already have. Ideal for older tractors with limited hydraulics or small compact loaders. See Page 54

See complete fit list for other brand loaders on Page 53.

### REMOTE CONTROL COUPLER

Here by popular demand, the new Remote Control Coupler is activated with an Electro-Hydraulic control button conveniently located in the cab. Change attachments entirely from your seat with a push of a button. The shape and design mimics the "tried & true" Snap-Attach system which means it will RETRO-FIT all your customer's existing attachment line-up. No added costs to convert over old attachments. This economical user-friendly solution DOES NOT require added hoses or 3rd function additions to your tractor. Included on all Freedom Mount and MAX Series loaders. See Page 37

### FLAT FACE HYDRA-SNAP™

Westendorf's patented, multi-unit, high-pressure coupling system. It allows the connection or disconnection of ALL the hydraulic hoses in one quick motion. Many models available. See page 44.

### 96" CAT CLAW FOR HEAVY DUTY HIGH CAPACITY BUCKETS

Inspired by the Landscaper™ the Snow Scraper was designed to attach to the front of a loader or skid steer to move massive amounts of snow and ice without leaving windrows behind. It is a versatile implement that isn't just limited to snow and ice; it is also useful in moving large amounts of manure, silage, grain, mud, refuse, waste water and other materials. See Page 56.

### SYNCHRONIZER BAR







This new quick attach shaft bridges the loader's Snap-Attach™ couplers to synchronize their movements making it faster and easier than ever to hook up to attachments. See Page 46.

# SAFETY FIRST!

## Message to Our Dealers:

We strongly encourage you to discuss safety issues with your customers. Inquire about application and use of the equipment to make sure it is the proper choice to do the job safely. Cover the safety issues in both the Westendorf loader manual and the tractor manuals, making sure that the customer understands the safety messages and decals on the loader.

We urge you to make sure ALL safety decals are visible after installation and in good shape. These decals are available at no extra charge for new and used equipment. If you see equipment that needs decals, please call and we will send those to you.

 <p><b>CRUSHING HAZARD</b> To prevent serious injury or death: * Do not handle round bales, large rocks or other shiftable objects unless loader is equipped with an attachment designed to prevent crushing hazard. * Do not use loader to handle loose loads that are not secured in the bucket or attachment. Always watch your load. * Never lift load higher than necessary. DE-WL02-A</p>	 <p><b>ELECTROCUTION HAZARD</b> To prevent serious injury or death: * Stay away from power lines and cables as electrocution can occur with or without direct contact. If contact occurs, do not leave the tractor seat. DE-WL01-A</p>	 <p><b>OVERHEAD HAZARD</b> To prevent serious injury or death: * Do not allow bystanders in loader work area. * Lower loader to the ground before leaving seat. * Do not walk, stand, or work under raised loader. For servicing, refer to operator's manual. * Read and understand operator's manual before operating loader.  For replacements contact: WESTENDORF MANUFACTURING INCORP. HWY 175W PO BOX 29 ONAWA, IA 51040 DE-WL04-A</p>
 <p><b>HIGH-PRESSURE FLUID HAZARD</b> To prevent serious injury or death: * Relieve pressure on system before repairing, adjusting, or disconnecting. * Wear proper hand and eye protection when searching for leaks. Use wood or cardboard instead of hands. * Keep all components in good repair. * If injured by escaping fluid, obtain medical treatment IMMEDIATELY (POISON). * Read and understand operator's manual before operating loader. DE-WL05-A</p>	 <p><b>ROLL-OVER HAZARD</b> To prevent serious injury or death: * Move and turn tractor at a low speed. * Carry loader arms at a low position at all times. * Add wheel ballast or rear weight as needed for stability. * Move rear wheels to widest recommended settings to increase stability. * It is recommended the tractor be equipped with a roll-over protective structure (ROPS) and to fasten seat belt prior to starting engine. DE-WL06-A</p>	 <p><b>FALLING HAZARD</b> To prevent serious injury or death: * Do not lift, carry or allow anyone to ride on or work from any portion of loader, attachment, or bucket. DE-WL03-A</p>

## Quick Price Guide

Loader Pkg.	PRICE	Loader Pkg.	PRICE	Attachments	PAGE	PRICE
<b>100 SERIES</b>		<b>TA SERIES</b>		<b>BUCKET UPGRADES &amp; ATTACHMENTS</b>		
NEW TA-52	4,490	TA-25	5,690	Back Drag Bucket	50	299
TA-55	4,540	TA-26	6,950	Dual Changer MAX	51	504
TA-111	5,025	TA-26 PLUS	7,390	Bucket Teeth - 72"	50	670
TA-140	4,600	TA-26-12	8,210	Feed Bunk Bucket - 112"	49	1,557
TA-160	5,430	TA-28	8,950	Z-47 Feeder Bucket	49	4,871
TA-170	6,055	TA-28 PLUS	9,490	Tine Bucket	51	1,441
TA-175	6,395	TA-29	9,845	<b>GRAB FORKS</b>		
TA-180	6,665	TA-45	9,620	Rake Teeth	50	240
TA-185	7,255	TA-46	10,970	Jiffy Monster Grab Fork	57	1,491
NEW MAX SERIES		TA-48	12,135	Monster Grab Fork - (GF-52)	57	2,237
MAX420	8,900	TA-76	12,595	Quick Mount Claw Grab Fork	57	2,299
MAX440	9,900	TA-77	13,265	Cat Claw - 84"	56	2,705
<b>WL SERIES</b>		<b>CUSTOM CONTOUR</b>		<b>MATERIAL HANDLING</b>		
WL-21	6,550	CC-330	8,715	Brush Crusher	54	1,042
WL-27	7,580	CC-340	9,950	Brush Crusher w/power teeth	55	2,565
WL-42	8,995	CC-360	11,995	Fork Lift - Heavy Duty 42"	60	1,408
WL-44	10,965	CC-370	14,555	<b>BALE SPEARS &amp; HAY HANDLING</b>		
WL-576	10,980	<b>FREEDOM MOUNT</b>		2-Prong Bale Spear	59	855
WL-61	10,745	FM-540	10,900	3-Prong Spear (SP-430) No Snap Attach	59	664
WL-64	12,430	FM-550	14,470	3-Prong Bale Spear (SP-43)	59	806
<b>XTA SERIES</b>		FM-560	16,900	4-Prong Bale Spear	59	1,554
XTA-400	11,820	FM-570	17,475	Stack Saver I	59	987
XTA-700	13,265	FM-580	21,850	Stack Saver II	59	1,145
		FM-585	23,850	<b>BLADES AND PLOWS</b>		
				72" V-Plow	60	1,327
				84" Dozer Blade	61	1,207
				96" Snow Scraper	61	2,599
				<b>ADDITIONAL WESTENDORF PRODUCTS</b>		
				Cool Cap Canopy - Large	62	581
				8' Landscaper	63	3,550
				10' Landscaper	63	3,915
				12' Landscaper	63	4,130



10-24 **HP** 10-24  
2WD 4WD

# TA-52

## BASE PACKAGE ..... \$4,490

Footnotes found in Bracket Chart

### TA-52 Base Package:

- 1-3/4" Bucket Cylinder
- 1-1/2" Lift Cylinder
- Hydraulic Power-Mount™
- Standard Bracket Set
- Hose Kit
- Regen Valve & Joystick Pkg
- Bucket Gauge Rod
- 48" Bucket (48P604)

<b>LIFT CAPACITY</b>	1800 psi   2200 psi
19.65" from Pin	900+   1100+
At Pivot Pin	1200+   1350+
<b>LIFT HEIGHT</b>	6' 1"   73"
<b>PKG WEIGHT</b>	486#
<b>COLOR*</b>	Stone Black

\*Custom Paint Colors Available. Call for Pricing.

### Small package with plenty of muscle

The TA-52 is the ideal fit for smaller tractors and lawn mowers. It is an economical loader that has two strong bucket cylinders for more power than comparable loaders with a single bucket cylinder. The loader has excellent visibility with extra-wide sub-frame to accommodate side-mount mufflers.

#### LOADER SPECIFIC UPGRADES & ATTACHMENTS

Description	P/N	PAGE	PRICE
48" Bucket	48P604	48	<b>INC</b>
54" Bucket	54P605	48	Add <b>40</b>
48" Quick-Tach Bucket Teeth	BTB-48	50	<b>242</b>
Heavy Duty Bucket Teeth (Set of 2)	BTB-345	50	<b>170</b>
60" Dozer Blade	DB-60	61	<b>530</b>
60" Snow Scraper Box Blade	SBB-5	61	<b>585</b>
Ballast 3 Pt. Barrel Holder	BH-4		<b>378</b>
Forklift with 42" Teeth	FLA-42	60	<b>997</b>
Brush Crusher™	BC-3000	54	<b>1,042</b>
Hydra-Snap Manifold	MA-100	44	<b>259</b>
Hydraulic Valve Block	VB		<b>234</b>
Comfort Ride	CRS	45	<b>874</b>
Joystick w/Power Beyond	PB		<b>60</b>

10-24 **HP** 10-24  
2WD 4WD

# TA-55

## BASE PACKAGE ..... \$4,540

Footnotes found in Bracket Chart

### TA-55 Base Package:

- 1-3/4" Bucket Cylinder
- 1-1/2" Lift Cylinder
- Hydraulic Power-Mount™
- Standard Bracket Set
- Hose Kit
- Regen Valve & Joystick Pkg
- Bucket Gauge Rod
- 48" Bucket (48P604)

<b>LIFT CAPACITY</b>	1800 psi   2200 psi
19.65" from Pin	700   855
At Pivot Pin	940   1150
<b>LIFT HEIGHT</b>	7' 2"   86"
<b>PKG WEIGHT</b>	585#
<b>COLOR</b>	Stone Black

\*Custom Paint Colors Available. Call for Pricing.

### Right size with higher lift

The TA-55 has good clearance for easy maintenance. Quickly move snow or dirt, pick up trash, load pickups, haul feed or small bales, spread gravel and sand, clean horse stables and more.

**TA-54** fits particular models. Order when listed in Bracket Chart. Same price as TA-55.

#### LOADER SPECIFIC UPGRADES & ATTACHMENTS

Description	P/N	PAGE	PRICE
48" Bucket	48P604	48	<b>INC</b>
54" Bucket	54P605	48	Add <b>40</b>
48" Quick-Tach Bucket Teeth	BTB-48	50	<b>242</b>
Heavy Duty Bucket Teeth (Set of 2)	BTB-345	50	<b>170</b>
60" Dozer Blade	DB-60	61	<b>530</b>
60" Snow Scraper Box Blade	SBB-5	61	<b>585</b>
Ballast 3 Pt. Barrel Holder	BH-4		<b>378</b>
Forklift with 42" Teeth	FLA-42	60	<b>997</b>
Brush Crusher™	BC-3000	54	<b>1,042</b>
Hydra-Snap Manifold	MA-100	44	<b>259</b>
Hydraulic Valve Block	VB		<b>234</b>
Comfort Ride	CRS	45	<b>874</b>
Joystick w/Power Beyond	PB		<b>60</b>

17-35 **HP** 17-35  
2WD 4WD

# TA-111

## BASE PACKAGE ..... \$5,025

Footnotes found in Bracket Chart

### TA-111 Base Package:

- 2" Bucket & Lift Cylinders
- Hydraulic Power-Mount™
- Standard Bracket Set
- Hose Kit
- Precision Valve with Regen Spool
- Precision Joystick
- Bucket Gauge Rod
- 60" Bucket (60Q109-SB)

<b>LIFT CAPACITY</b>	1800 psi   2200 psi
19.65" from Pin	1400   1710
At Pivot Pin	1880   2300
<b>LIFT HEIGHT</b>	8' 3"   99"
<b>PKG WEIGHT</b>	840#
<b>COLOR</b>	Stone Black

\*Custom Paint Colors Available. Call for Pricing.

### The ultimate compact loader

The TA-111 comes standard with a quick attach system and has more attachments available than any other loader in its class. It works with belly mounted mowers and has an adjustable front wrap for a custom fit. It is a great chore loader and is excellent for material handling and snow removal.

**TA-111A** has special tower. Order when listed in bracket Chart. Same price as TA-111.

#### LOADER SPECIFIC UPGRADES & ATTACHMENTS

Description	P/N	PAGE	PRICE
60" Tapered Bucket	60Q109-SB	48	<b>INC</b>
<b>SKID STEER COMPATIBLE BUCKETS &amp; ADAPTERS</b>			
Adapter - adapts TA-111 to skid steer attachment	C-22	46	Add <b>130</b>
60" Skid Steer Bucket	60QS13	48	Add <b>109</b>
66" Skid Steer Bucket	66QS14	48	Add <b>164</b>
60" Quick-Tach Bucket Teeth	BT-60	50	<b>266</b>
Heavy Duty Bucket Teeth (Set of 2)	BTB-345	50	<b>170</b>
60" Dozer Blade	DB-60	61	<b>530</b>
60" Snow Scraper Box Blade	SBB-5	61	<b>585</b>
72" Snow Scraper Box Blade	SBB-6	61	<b>738</b>
72" V-Plow	VP-72	60	<b>1,327</b>
Ballast 3 Pt. Barrel Holder	BH-4		<b>378</b>
Forklift with 42" Teeth	FLM-42	60	<b>997</b>
Brush Crusher™	BC-4000	54	<b>1,251</b>
Brush Crusher™ for use w/ skid steer coupler	BC-7700	55	<b>3,336</b>
Hydra-Snap Manifold	MA-100	44	<b>259</b>
Hydraulic Valve Block	VB		<b>234</b>
Comfort Ride	CRS	45	<b>874</b>
Joystick w/Power Beyond	PB		<b>60</b>

15-35 **HP** 15-30  
2WD 4WD

# TA-140

## BASE PACKAGE ..... \$4,600

Footnotes found in Bracket Chart

### TA-140 Base Package:

- 2" Bucket Cylinders
- 2" Lift Cylinders
- Hydraulic Power-Mount™
- Quick Attach
- Standard Bracket Set
- Hose Kit
- Bucket Gauge Rod
- 60" Bucket (60Q109-SB)

<b>LIFT CAPACITY</b>	1800 psi   2200 psi
19.65" from Pin	1400   1710
At Pivot Pin	1880   2300
<b>LIFT HEIGHT</b>	7' 7"   91"
<b>PKG WEIGHT</b>	822#
<b>COLOR*</b>	Stone Black

\*Custom Paint Colors Available. Call for Pricing.

### The "Boomer" Buddy

Turn your compact tractor into a real workhorse. The TA-140 is designed for the Boomer and DX series farmall tractors. Ideal for horse owners, acreage owners, or anyone who needs the power to move things fast. It's unique design matches a super steer's turning radius keeping the bucket close to the tractor for increased power and strength. It works with most belly mounted mowers and has a complete line of attachments.

#### LOADER SPECIFIC UPGRADES & ATTACHMENTS

Description	P/N	PAGE	PRICE
60" Tapered Bucket	60Q109-SB	48	<b>INC</b>
<b>SKID STEER COMPATIBLE BUCKETS &amp; ADAPTERS</b>			
Adapter - adapts TA-140 to skid steer attachment	C-22	46	Add <b>130</b>
60" Skid Steer Bucket	60QS13	48	Add <b>109</b>
66" Skid Steer Bucket	66QS14	48	Add <b>164</b>
60" Quick-Tach Bucket Teeth	BT-60	50	<b>266</b>
Heavy Duty Bucket Teeth (Set of 2)	BTB-345	50	<b>170</b>
60" Dozer Blade	DB-60	61	<b>530</b>
60" Snow Scraper Box Blade	SBB-5	61	<b>585</b>
72" Snow Scraper Box Blade	SBB-6	61	<b>738</b>
72" V-Plow	VP-72	60	<b>1,327</b>
Ballast 3 Pt. Barrel Holder	BH-4		<b>378</b>
Forklift with 42" Teeth	FLM-42	60	<b>997</b>
Brush Crusher™	BC-4000	54	<b>1,251</b>
Brush Crusher™ for use w/ skid steer coupler	BC-7700	55	<b>3,336</b>
Hydra-Snap Manifold	MA-100	44	<b>259</b>
Hydraulic Valve Block	VB		<b>234</b>
Joystick Upgrade (Reg: \$741)			w/pkg. Add <b>332</b>
Comfort Ride	CRS	45	<b>874</b>
Joystick w/Power Beyond (Reg: \$789)	PB		w/pkg. Add <b>392</b>

20-60 **HP** 20-50  
2WD 4WD

# TA-160

## BASE PACKAGE ..... \$5,430

Footnotes found in Bracket Chart

### TA-160 Base Package:

- 2" Bucket Cylinders
- 2" Lift Cylinders
- Hydraulic Power-Mount™
- Quick Attach
- Standard Bracket Set
- Hose Kit
- Precision Valve with Regen Spool
- Precision Joystick
- Bucket Gauge Rod
- 60" Bucket (60Q109-SB)

<b>LIFT CAPACITY</b>	1800 psi   2200 psi
19.65" from Pin	1650   2020
At Pivot Pin	2210   2700
<b>LIFT HEIGHT</b>	9' 5"   113"
<b>PKG WEIGHT</b>	1071#
<b>COLOR*</b>	Stone Black

\*Custom Paint Colors Available. Call for Pricing.

### Incredible Lifting Power

The TA-160 is a smooth-shaped loader designed for the serious weekender that needs to handle large round bales. It has incredible lifting power in a small, good-looking package. Features an open tapered bucket for quick clean out, clean bracket design for better tire clearance and low-profile fit to let you see clearly what you are doing and where you are driving.

#### LOADER SPECIFIC UPGRADES & ATTACHMENTS

Description	P/N	PAGE	PRICE
60" Tapered Bucket	60Q109-SB	48	<b>INC</b>
66" Tapered Bucket	66Q110-SB	48	Add <b>18</b>
<b>SKID STEER COMPATIBLE BUCKETS &amp; ADAPTERS</b>			
Adapter - adapts TA-160 to skid steer attachment	C-23	46	Add <b>130</b>
60" Skid Steer Bucket	60QS13	48	Add <b>109</b>
66" Skid Steer Bucket	66QS14	48	Add <b>164</b>
3-Prong Bale Spear	SP-160	59	<b>530</b>
60" Quick-Tach Bucket Teeth	BT-60	50	<b>266</b>
Heavy Duty Bucket Teeth (Set of 2)	BTB-345	50	<b>170</b>
60" Dozer Blade	DB-60	61	<b>530</b>
60" Snow Scraper Box Blade	SBB-5	61	<b>585</b>
72" Snow Scraper Box Blade	SBB-6	61	<b>738</b>
72" V-Plow	VP-72	60	<b>1,327</b>
Ballast 3 Pt. Barrel Holder	BH-4		<b>378</b>
Forklift with 42" Teeth	FLM-42	60	<b>997</b>
Brush Crusher™	BC-4000	54	<b>1,251</b>
Brush Crusher™ for use w/ skid steer coupler	BC-7700	55	<b>3,336</b>
Hydra-Snap Manifold	MA-100	44	<b>259</b>
Hydraulic Valve Block	VB		<b>234</b>
Comfort Ride	CRS	45	<b>874</b>
Add Power Beyond Option to Valve	PB		w/pkg. Add <b>60</b>



# TA-170

**BASE PACKAGE ..... \$6,055**

Footnotes found in Bracket Chart

**TA-170 Base Package:**

- 2" Lift Cylinders
- 2" Bucket Cylinders
- Hydraulic Power-Mount™
- Quick-Attach
- Standard Bracket Set
- Hose Kit
- Precision Valve with Regen Spool
- Precision Joystick
- Bucket Gauge Rod
- 60" Bucket (60Q109-SB)

<b>LIFT CAPACITY</b>	1800 psi   2200 psi
19.65" from Pin	1450   1770
At Pivot Pin	1950   2380
<b>LIFT HEIGHT</b>	10' 2"   122"
<b>PKG WEIGHT</b>	1100#
<b>COLOR*</b>	Stone Black

\*Custom Paint Colors Available. Call for Pricing.

## More loader with lots of Extras

This high-strength loader has a great profile and is ideal for the everyday heavy user or contractor. Extra features such as the low-profile fit, power linkage, tapered bucket, cushioned spring ride, reinforced arms, clean bracket design and tire clearance give it a professional feel and performance.

**TA-170A** has special tower. Order when listed in Fit Chart. same price as TA-170.

### LOADER SPECIFIC UPGRADES & ATTACHMENTS

Description	P/N	PAGE	PRICE
60" Tapered Bucket	60Q109-SB	48	<b>INC</b>
66" Tapered Bucket	66Q110-SB	48	Add <b>18</b>
72" Tapered Bucket	72Q112-SB	48	Add <b>42</b>

### SKID STEER COMPATIBLE BUCKETS & ADAPTERS

Adapter - adapts TA-170 to skid steer attachment	C-22	46	Add	<b>130</b>
60" Skid Steer Bucket	60QS13	48	Add	<b>109</b>
66" Skid Steer Bucket	66QS14	48	Add	<b>164</b>
72" Skid Steer Bucket	72QS15	48	Add	<b>226</b>
3-Prong Bale Spear	SP-160	59		<b>530</b>
60" Quick-Tach Bucket Teeth	BT-60	50		<b>266</b>
Heavy Duty Bucket Teeth (Set of 2)	BTB-345	50		<b>170</b>
60" Dozer Blade	DB-60	61		<b>530</b>
60" Snow Scraper Box Blade	SBB-5	61		<b>585</b>
72" Snow Scraper Box Blade	SBB-6	61		<b>738</b>
72" V-Plow	VP-72	60		<b>1,327</b>

Ballast 3 Pt. Barrel Holder	BH-4			<b>378</b>
Forklift with 42" Teeth	FLM-42	60		<b>997</b>
Brush Crusher™	BC-4000	54		<b>1,251</b>
Brush Crusher™ for use w/ skid steer coupler	BC-7700	55		<b>3,336</b>
Hydra-Snap Manifold	MA-280	44		<b>347</b>
Hydraulic Valve Block	VB			<b>234</b>
Comfort Ride	CRS	45		<b>874</b>
Add Power Beyond Option to Valve	PB		w/pkg. Add	<b>60</b>



# TA-175

**BASE PACKAGE ..... \$6,395**

Footnotes found in Bracket Chart

**TA-175 Base package:**

- 2" Bucket Cylinders
- 2-1/2" Lift Cylinders
- Hydraulic Power-Mount™
- Skid-Steer Quick-Attach
- Standard Bracket Set
- Hose Kit
- Precision Valve with Regen Spool
- Precision Joystick
- Bucket Gauge Rod
- 72" Skid Steer Bucket (72QS15)

<b>LIFT CAPACITY</b>	1800 psi   2200 psi
19.65" from Pin	2250   2750
At Pivot Pin	3020   3690
<b>LIFT HEIGHT</b>	10' 2"   122"
<b>PKG WEIGHT</b>	1390#
<b>COLOR*</b>	Stone Black

\*Custom Paint Colors Available. Call for Pricing.

## Loaded with power and features

Ideal for the everyday heavy user, dirt work or hay handler. The TA-175 offers all the same features as the TA-170 plus more lift capacity. Share implements between your skid-steer and loader as the TA-175 includes the universal skid-steer adapter. It's a smooth operating loader with low-profile fit for good visibility. Excellent dump and rollback angles, smart bucket for quick clean out, cushioned ride, reinforced arms, clean bracket design, and precision valve and joystick included with the loader package.

**TA-175A** has special tower. Order when listed in Fit Chart. same price as TA-175.

### LOADER SPECIFIC UPGRADES & ATTACHMENTS

Description	P/N	PAGE	PRICE
72" Skid Steer Bucket	72QS15	48	<b>INC</b>
60" Skid Steer Bucket	60QS13	48	Deduct <b>-117</b>
66" Skid Steer Bucket	66QS14	48	Deduct <b>-62</b>

3-Prong Bale Spear	SP-43/C-19	59		<b>961</b>
60" Quick-Tach Bucket Teeth	BT-60	50		<b>266</b>
Heavy Duty Bucket Teeth (Set of 2)	BTB-345	50		<b>170</b>
60" Dozer Blade	DB-60/C-19	61		<b>815</b>
60" Snow Scraper Box Blade	SBB-5/C-19	61		<b>685</b>
72" Snow Scraper Box Blade	SBB-6/C-19	61		<b>860</b>
72" V-Plow	VP-72/C-19	60		<b>1,427</b>

Ballast 3 Pt. Barrel Holder	BH-4			<b>378</b>
Forklift with 42" Teeth	FLM-42/C-19	60		<b>1,282</b>
Brush Crusher™	BC-4000	54		<b>1,251</b>
Brush Crusher™ for use w/ skid steer coupler	BC-7700	55		<b>3,336</b>
Hydra-Snap Manifold	MA-280	44		<b>347</b>
Hydraulic Valve Block	VB			<b>234</b>
Comfort Ride	CRS	45		<b>874</b>
Add Power Beyond Option to Valve	PB		w/ pkg. Add	<b>60</b>



# TA-180

**BASE PACKAGE ..... \$6,665**

Footnotes found in Bracket Chart

**TA-180 Base package:**

- 2-1/2" Bucket Cylinders
- 2-1/2" Lift Cylinders
- Hydraulic Power-Mount™
- Quick-Attach
- Standard Bracket Set
- Hose Kit
- Precision Valve with Regen Spool
- Precision Joystick
- Bucket Gauge Rod
- 60" Bucket (60Q109-SB)

<b>LIFT CAPACITY</b>	1800 psi   2200 psi
19.65" from Pin	2880   3520
At Pivot Pin	3865   4725
<b>LIFT HEIGHT</b>	11'   132"
<b>PKG WEIGHT</b>	1283#
<b>COLOR*</b>	Stone Black

\*Custom Paint Colors Available. Call for Pricing.

## Reaching amazing new heights

The TA-180 has an incredible lift height of 11 feet with a low-profile fit. Think about it! You can stack whatever you have, wherever you want it. Plus, when you combine it with the famous Quick-Attach System, you can change from your bucket to a spear, forklift, or other attachment in just minutes to take on any task at hand.

### LOADER SPECIFIC UPGRADES & ATTACHMENTS

Description	P/N	PAGE	PRICE
60" Tapered Bucket	60Q109-SB	48	<b>INC</b>
66" Tapered Bucket	66Q110-SB	48	Add <b>18</b>
72" Tapered Bucket	72Q112-SB	48	Add <b>42</b>

### SKID STEER COMPATIBLE BUCKETS & ADAPTERS

Adapter - adapts TA-180 to skid steer attachment	C-22	46	Add	<b>130</b>
60" Skid Steer Bucket	60QS13	48	Add	<b>109</b>
66" Skid Steer Bucket	66QS14	48	Add	<b>164</b>
72" Skid Steer Bucket	72QS15	48	Add	<b>226</b>
3-Prong Bale Spear	SP-160	59		<b>530</b>
60" Quick-Tach Bucket Teeth	BT-60	50		<b>266</b>
Heavy Duty Bucket Teeth (Set of 2)	BTB-345	50		<b>170</b>
60" Dozer Blade	DB-60	61		<b>530</b>
60" Snow Scraper Box Blade	SBB-5	61		<b>585</b>
72" Snow Scraper Box Blade	SBB-6	61		<b>738</b>
72" V-Plow	VP-72	60		<b>1,327</b>

Ballast 3 Pt. Barrel Holder	BH-4			<b>378</b>
Forklift with 42" Teeth	FLM-42	60		<b>997</b>
Brush Crusher™	BC-4000	54		<b>1,251</b>
Brush Crusher™ for use w/ skid steer coupler	BC-7700	55		<b>3,336</b>
Hydra-Snap Manifold	MA-280	44		<b>347</b>
Hydraulic Valve Block	VB			<b>234</b>
Comfort Ride	CRS	45		<b>874</b>
Add Power Beyond Option to Valve	PB		w/pkg. Add	<b>60</b>



# TA-185

**BASE PACKAGE ..... \$7,255**

Footnotes found in Bracket Chart

**TA-185 Base package:**

- 2-1/2" Bucket Cylinders
- 2-1/2" Lift Cylinders
- Hydraulic Power-Mount™
- Skid-Steer Quick-Attach
- Standard Bracket Set
- Hose Kit
- Precision Valve with Regen Spool
- Precision Joystick
- Bucket Gauge Rod
- 72" Skid Steer Bucket (72QS15)

<b>LIFT CAPACITY</b>	1800 psi   2200 psi
19.65" from Pin	2880   3520
At Pivot Pin	3865   4725
<b>LIFT HEIGHT</b>	11'   132"
<b>PKG WEIGHT</b>	1283#
<b>COLOR*</b>	Stone Black

\*Custom Paint Colors Available. Call for Pricing.

## New shape and custom features

For the heavy-duty user and contractor. This loader has a professional feel, lower profile fit with high lift, bucket linkage, tapered bucket, reinforced arms, and in-line regen valve with precision joystick for smoother, faster bucket action. The TA-185 includes a new contoured shape, wider frame to accommodate side mount mufflers, skid steer adapter and 72" skid steer bucket.

### LOADER SPECIFIC UPGRADES & ATTACHMENTS

Description	P/N	PAGE	PRICE
72" Skid Steer Bucket	72QS15	48	<b>INC</b>
60" Skid Steer Bucket	60QS13	48	Deduct <b>-117</b>
66" Skid Steer Bucket	66QS14	48	Deduct <b>-62</b>

3-Prong Bale Spear	SP-43/C-19	59		<b>961</b>
60" Quick-Tach Bucket Teeth	BT-60	50		<b>266</b>
Heavy Duty Bucket Teeth (Set of 2)	BTB-345	50		<b>170</b>
60" Dozer Blade	DB-60/C-19	61		<b>815</b>
60" Snow Scraper Box Blade	SBB-5/C-19	61		<b>685</b>
72" Snow Scraper Box Blade	SBB-6/C-19	61		<b>860</b>
72" V-Plow	VP-72/C-19	60		<b>1,427</b>

Ballast 3 Pt. Barrel Holder	BH-4			<b>378</b>
Forklift with 42" Teeth	FLM-42/C-19	60		<b>1,282</b>
Brush Crusher™	BC-4000	54		<b>1,251</b>
Brush Crusher™ for use w/ skid steer coupler	BC-7700	55		<b>3,336</b>
Hydra-Snap Manifold	MA-280	44		<b>347</b>
Hydraulic Valve Block	VB			<b>234</b>
Comfort Ride	CRS	45		<b>874</b>
Add Power Beyond Option to Valve	PB		w/ pkg. Add	<b>60</b>



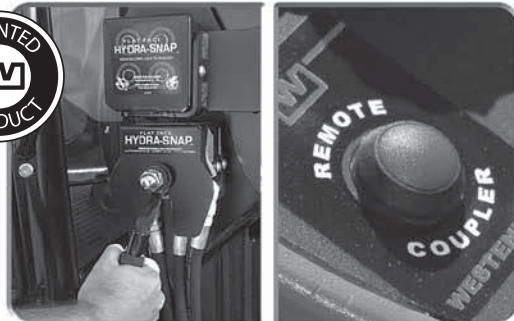
# 16 BIG ADVANTAGES...



## Looks are everything!

It's true - When you look good, you feel good. You will feel the difference every time you have the MAX loader on your tractor. The styling of the new MAX loader not only has an undeniable WOW factor, but the intelligent design which offers unsurpassed quality, performance and strength.

See the difference with a low-profile loader that fits properly with the bucket close and arms to compliment the tractor's hood contour. All the hydraulic hoses are inside the arms, not only suppressing wear, but allowing for unencumbered visibility that no other loader comes close to offering.



- **LOADER ENVY**
- **HYDRA-SNAP**
- **SMART-LOCK**
- **VISIBILITY**
- **REMOTE COUPLER**
- **FREEDOM-MOUNT™**
- **MAX TIRE CLEARANCE**
- **PERFORMANCE PLUS**
- **SMART-PAC CYLINDERS**
- **CONCEALED HYDRAULICS**
- **MORE FUNCTIONS**
- **BUCKET REPUTATION**
- **ARM STRENGTH**
- **FULL FEATURED**
- **SOLID BRACKETS**
- **ATTACHMENTS**

**866-LOADER4U • www.loader4U.com**

**P10 • TOLL FREE 866-423-2762 • PH (712) 423-2762 • FAX (712) 423-1460 • WWW.LOADERS.COM**

If you cannot find the tractor that you wish to mount, please call. We fit new tractors daily. All prices and price classes are subject to change without notice.

# THE OTHER GUYS JUST DON'T HAVE!

## Loader Envy



Finally a loader that is designed to compliment your tractor. Sleek and sturdy in design, MAX looks like a loader should look on a tractor. MAX fits better, feels better and looks better on your tractor.

## MAX Tire Clearance



Experience the tire freedom you tractor was born with. Keep fenders on most models with optimum row settings to maximize your turning and oscillation ability. Adaptable to tractors with suspended front axle.

## Visibility Factors



SEE and FEEL the difference of a loader that fits properly with the bucket close. Excellent unrestricted visibility in ALL directions while maintaining balance, sharp turning radius, and more power.

## Freedom Mounting



Enjoy the Freedom of mounting this new series of loader from the comfort of your cab. Just drive over and set your loader on the bucket. No tools. No Stands. No Hassles.

## Remote Control Couplers



Now change attachments with the push of a button. With every use, you'll smile and give yourself a pat on the back for making a smart, value based purchase. Then smile a second time because you're in the cab and not out in the sweltering heat or in below zero temperatures trying to hammer out pins or pry up levers. Self-Aligning V-Shape adjusts for wear and stays tight over time. Patented stealth valve DOES NOT require the addition of another hydraulic lever, the 3rd function is fully integrated into the loader's hydraulic system.

## Solid Bracket w/Max Grip



Simple and strong one-piece bracket is tailor made for each tractor. Clean design allows easy freedom to access your tractor; plus, it reduces installation time. Works with OEM loader ready and TPS side rails.

## Smart-Pac Cylinders



Eliminate unwanted downtime from hose snags, twists or deterioration with Westendorf's Professional Grade Lineless double ported Plug-N-Play cylinders. Features Patented Packing Protection system.



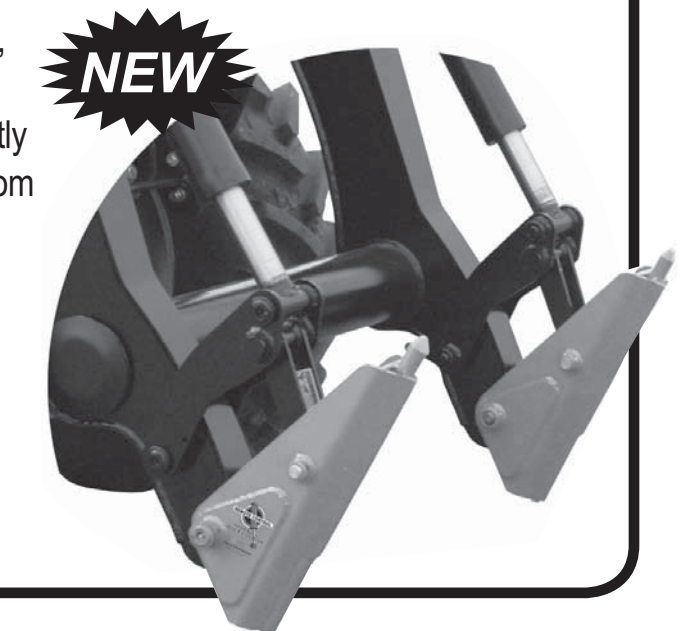
## Flat Face Hydra-Snap



You've asked; We've listened! Enjoy a cleaner, faster way to connect hydraulic hoses. One-Lever unit couples all hoses at once. Flat Face, no drip, couplers keep your tractor clean.

## THE #1 RATED QUICK ATTACH SYSTEM ON THE MARKET IS NOW REMOTE CONTROLLED

You Asked; We Listened. Here by popular demand, the new Remote Control Coupler is activated with an Electro-Hydraulic control button conveniently located in the cab. Change attachments entirely from your seat. Regulated by small internal cylinders, the plungers are secured with hydraulic pressure. This economical user-friendly solution DOES NOT require 3rd function additions to your tractor. Easy On Your Pocketbook. This new Remote Coupler will retrofit to all your existing Westendorf attachments, eliminating any costly upgrades.



**TOLL FREE 866-423-2762 • PH (712) 423-2762 • FAX (712) 423-1460 • WWW.LOADERS.COM • P11**

If you cannot find the tractor that you wish to mount, please call. We fit new tractors daily. All prices and price classes are subject to change without notice.



**MAX loaders have an undeniable WOW factor** **60-120** **HP** **60-120**  
2WD 4WD

The MAX420 has an intelligent design that offers unsurpassed quality, performance and strength. Unmatched styling; fast and easy attachment changes with the push of a button; Freedom Mounting that doesn't require parking stands, tools or time; and, no-spill Flat Face Hydra-Snap™ for quick hydraulic hook ups. These are just a few of the 16 Big Advantages the other guys just don't have.



**MAX420**  
**BASE PACKAGE** ..... **\$8,900**

**MAX420 Base Package:**

- 3" Smart-Pac Bucket Cylinders
- 3-1/2" Smart-Pac Lift Cylinders
- Remote Control Coupler
- Standard Bracket Set with Smart-Lock Latching System
- Hose Kit
- Flat Face Hydra-Snap™ Manifold
- Rotational Bucket Level Indicator
- 84" Bucket (84Q220)

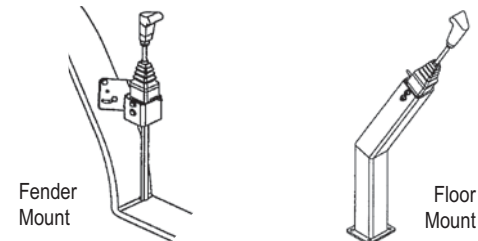
LIFT CAPACITY	2500 psi	3000 psi
31.5" from Pin	3000	3600
At Pivot Pin	4395	5275
LIFT HEIGHT	11' 6"	
PKG WEIGHT	1609#	
COLOR	Gunmetal Black	

*Specs may vary based on tractor model.*

**JOYSTICKS & HYDRAULIC PACKAGES - p. 52**

OC/CC - OPEN / CLOSED CENTER HYD SYSTEMS			
Spool	4 Precision Valve and Remote Joystick*	5 Precision Valve w/Level-UP* Pre-Assembled-Ready to Use	6 All Electronic Valve with Electronic Joystick*
<b>A</b> 2 OC/CC	<b>1,382</b>	<b>1,658</b>	N/A
<b>B</b> 3 OC/CC	<b>1,924</b>	<b>2,201</b>	N/A
PFC - PRESSURE FLOW HYDRAULIC SYSTEMS			
<b>C</b> 2 PFC	<b>2,272</b>	<b>2,551</b>	<b>6,566</b>
<b>D</b> 3 PFC	<b>2,631</b>	<b>2,905</b>	<b>6,899</b>

\*Includes Mounting Kit - Floor or Fender Mount



**FACTORY INSTALLED UPGRADES**

Description	P/N	PAGE	PRICE
<b>Bucket Options</b>			
- Back Drag Bucket	BD	50	Add <b>299</b>
- Heavy Duty Bucket Teeth (set of 2)	BTB-390	50	Add <b>205</b>
- Grab Fork Hooks (Std Buckets)	GF		Add <b>116</b>
<b>Radiator Grill Guard</b>	RG	45	<b>INC</b>
<b>3rd Steel Line mtd, w/stealth valve</b>	T	45	Add <b>536</b>

**HYDRAULIC MANIFOLDS**

Description	P/N	PAGE	Price
<b>2-SPOOL MANIFOLDS</b> to quick-connect loader to tractor			
- Flat Face Hydra-Snap™ Manifold	MA-381	44	Add <b>INC</b>
Level UP Advantage (Reg. \$960)	LV-UP	45	Add <b>493</b>
Comfort Ride	CRS-750	45	Add <b>874</b>

**BUCKET UPGRADES**

BUCKETS	P/N	PAGE	PRICE
84" Lg. Cap. Tapered Bucket	84Q220	48	<b>INC</b>
90" Large Capacity Bucket	90Q225	48	Add <b>132</b>

**SPECIALTY BUCKETS**

Fork Bucket	FB-42	51	<b>1,075</b>
Tine Bucket	TB-38	51	<b>1,441</b>

**BUCKET / GRAB FORK PACKAGES**

84"BUCKET AND CAT CLAW			
Cat Claw 3-D Grab Fork	GF-184-3D	56	3,376
84" Lg. Cap. Tapered Bucket	84Q220-GF-184	48	116
		Add	<b>3,492</b>

**90" BUCKET AND MONSTER GRAB FORK**

Monster Grab Fork	GF-28	57	2,237
90" Large Capacity Bucket for GF-28	90Q225-GF28	48	248
		Add	<b>2,484</b>

**ATTACHMENTS**

HAY HANDLING	P/N	PRICE
2-Prong Bale Spear	SP-42	59 <b>855</b>
3-Prong Bale Spear	SP-43	59 <b>806</b>
4-Prong Bale Spear	SP-74	59 <b>1,554</b>
Stack Saver I	SS-I	59 <b>987</b>
Stack Saver II - 3	SS-II-3	59 <b>1,145</b>
Bale Handler	BH-15	58 <b>4,536</b>
Bale Grab	BG-34	58 <b>1,347</b>
Squeezer™	SQ-80	58 <b>2,028</b>

**MATERIAL HANDLING**

P/N	PRICE
Brush Crusher BC-5000	54 <b>1,649</b>
Brush Crusher BC-6000	55 <b>2,565</b>
Brush Crusher 72" w/finishing teeth BC-8800	55 <b>5,061</b>
84" Bucket Teeth 84" & 96" BUCKETS BT-84	50 <b>789</b>
42" Fork Lift FL-42	60 <b>1,408</b>
48" Fork Lift FL-48	60 <b>1,498</b>
Extendable Boom EB-34	60 <b>1,016</b>

**ADDITIONAL ATTACHMENTS**

P/N	PRICE
96" V-Plow VP-96	60 <b>1,624</b>
84" Dozer Blade DB-84	61 <b>1,207</b>
- Top Extension for Dozer Blade DB-TC	61 Add <b>504</b>
96" Snow Scraper SBB-8	61 <b>2,599</b>
96" Snow Scraper w/Poly Blade SBB-8-P	61 <b>3,285</b>
- Top Extension for Snow Scraper SBB-TC	61 Add <b>504</b>
Dual Changer Max for bucket DC-1	51 <b>504</b>

**ADAPTER OPTIONS**

P/N	PAGE	PRICE
Snap-Attach Adapters - Set (2) C-2/C-3	46	<b>119</b>
Snap-Attach Synchronizer QCS-200	46	<b>74</b>

**MAX loaders have an undeniable WOW factor** **60-120** **HP** **60-120**  
2WD 4WD

The MAX440 has the same great features as the MAX420 such as the Remote Control Coupler, Hydra-Snap™ and Freedom Mount stand-free dismounting system. The MAX440 will accommodate wider attachments at the 40 series spacing.



**MAX440**  
**BASE PACKAGE** ..... **\$9,900**

**MAX440 Base Package:**

- 3" Smart-Pac Bucket Cylinders
- 3-1/2" Smart-Pac Lift Cylinders
- Remote Control Coupler
- Standard Bracket Set with Smart-Lock Latching System
- Hose Kit
- Flat Face Hydra-Snap™ Manifold
- Rotational Bucket Level Indicator
- 84" Bucket (84Q420)

LIFT CAPACITY	2500 psi	3000 psi
31.5" from Pin	3000	3600
At Pivot Pin	4395	5275
LIFT HEIGHT	11' 6"	
PKG WEIGHT	1609#	
COLOR	Gunmetal Black	

*Specs may vary based on tractor model.*

**FACTORY INSTALLED UPGRADES**

Description	P/N	PAGE	Price
<b>Bucket Options</b>			
- Back Drag Bucket	BD	50	Add <b>299</b>
- Heavy Duty Bucket Teeth (set of 2)	BTB-390	50	Add <b>205</b>
- Grab Fork Hooks (Std Buckets)	GF		Add <b>116</b>
<b>Radiator Grill Guard</b>	RG	45	<b>INC</b>
<b>3rd Steel Line mtd, w/stealth valve</b>	T	45	Add <b>536</b>

**HYDRAULIC MANIFOLDS**

Description	P/N	PAGE	Price
<b>2-SPOOL MANIFOLDS</b> to quick-connect loader to tractor			
- Flat Face Hydra-Snap™ Manifold	MA-381	44	Add <b>INC</b>
Level UP Advantage (Reg. \$960)	LV-UP	45	Add <b>493</b>
Comfort Ride	CRS-750	45	Add <b>874</b>

**JOYSTICKS & HYDRAULIC PACKAGES - p. 52**

OC/CC - OPEN / CLOSED CENTER HYD SYSTEMS			
Spool	4 Precision Valve and Remote Joystick*	5 Precision Valve w/Level-UP* Pre-Assembled-Ready to Use	6 All Electronic Valve with Electronic Joystick*
<b>A</b> 2 OC/CC	<b>1,382</b>	<b>1,658</b>	N/A
<b>B</b> 3 OC/CC	<b>1,924</b>	<b>2,201</b>	N/A
PFC - PRESSURE FLOW HYDRAULIC SYSTEMS			
<b>C</b> 2 PFC	<b>2,272</b>	<b>2,551</b>	<b>6,566</b>
<b>D</b> 3 PFC	<b>2,631</b>	<b>2,905</b>	<b>6,899</b>

**BUCKET UPGRADES**

BUCKETS	P/N	PRICE
84" Large Capacity Bucket	84Q420	48 <b>INC</b>
90" Large Capacity Bucket	90Q425	48 Add <b>132</b>

**SPECIALTY BUCKETS**

High Vol. Low Density Bucket	96Q454	48	<b>1,675</b>
Z-47 Feeder Bucket	Z-47	48	<b>4,871</b>
Feed Bunk Bucket	FBB-112	48	<b>1,557</b>
Fork Bucket	FB-42	51	<b>1,075</b>
Tine Bucket	TB-38	51	<b>1,441</b>

**BUCKET / GRAB FORK PACKAGES**

84"BUCKET AND CAT CLAW			
Cat Claw 3-D Grab Fork	GF-184-3D	56	3,376
84" Lg. Cap. Tapered Bucket for GF-184	84Q420-GF-184	48	116
		Add	<b>3,492</b>

**90" BUCKET AND MONSTER GRAB FORK (Curved Teeth)**

Monster Grab Fork -Curved Teeth	GF-52	57	2,237
90" Large Capacity Bucket for GF-52	90Q425-GF52	48	248
		Add	<b>2,484</b>

**90" BUCKET AND MONSTER GRAB FORK (Straight Teeth)**

Monster Grab Fork - Straight Teeth	GF-51	57	1,964
90" Large Capacity Bucket for GF-51	90Q425-GF51	48	248
		Add	<b>2,212</b>

**ATTACHMENTS**

HAY HANDLING	P/N	PRICE
2-Prong Bale Spear	SP-42	59 <b>855</b>
3-Prong Bale Spear	SP-43	59 <b>806</b>
4-Prong Bale Spear	SP-74	59 <b>1,554</b>
Stack Saver I	SS-I	59 <b>987</b>
Stack Saver II - 3	SS-II-3	59 <b>1,145</b>
Bale Handler	BH-15	58 <b>4,536</b>
Bale Grab	BG-34	58 <b>1,347</b>
Squeezer™	SQ-80	58 <b>2,028</b>
MATERIAL HANDLING		
Brush Crusher BC-5000	54	<b>1,649</b>
Brush Crusher BC-6000	55	<b>2,565</b>
Brush Crusher 72" w/finishing teeth BC-8800	55	<b>5,061</b>
84" Bucket Teeth 84" & 96" BUCKETS BT-84	50	<b>789</b>
42" Fork Lift FL-42	60	<b>1,408</b>
48" Fork Lift FL-48	60	<b>1,498</b>
Extendable Boom EB-34	60	<b>1,016</b>

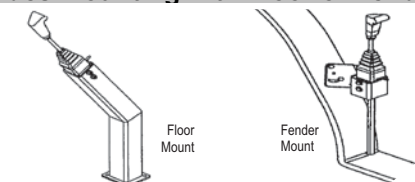
**ADDITIONAL ATTACHMENTS**

P/N	PRICE
96" V-Plow VP-96	60 <b>1,624</b>
84" Dozer Blade DB-84	61 <b>1,207</b>
96" Dozer Blade DB-96	61 <b>1,340</b>
- Top Extension for Dozer Blade DB-TC	61 Add <b>504</b>
96" Snow Scraper SBB-8	61 <b>2,599</b>
96" Snow Scraper w/Poly Blade SBB-8-P	61 <b>3,285</b>
120" Snow Scraper SBB-10	61 <b>2,898</b>
120" Snow Scraper w/Poly Blade SBB-10-P	61 <b>3,783</b>
- Top Extension for Snow Scraper SBB-TC	61 Add <b>504</b>
Dual Changer Max for bucket DC-1	51 <b>504</b>

**ADAPTER OPTIONS**

P/N	PAGE	PRICE
Snap-Attach Adapters - Set (2) C-2/C-3	46	<b>119</b>
Snap-Attach Synchronizer QCS-400	46	<b>85</b>

\*Includes Mounting Kit - Floor or Fender Mount





**Westendorf power in a smaller size** up to 80 HP 2WD

The WL-21 or the Jiffy Loader™ is a perfect fit for smaller 2WD tractors, maintaining all the strength and durability that we put into our larger loaders. Great for moving hay, feeding livestock or cleaning up around the yard. It has a huge number of fits, providing excellent resale value.

**WL-21 BASE PACKAGE..... \$6,550**

Footnotes found in Bracket Chart

**WL-21 Base Package:**

- 2-1/2" Bucket & Lift Cylinders
- Hydraulic Power-Mount™
- Standard Bracket Set
- Hose Kit
- MA-40 Hydraulic Manifold
- Bucket Gauge Rod
- 72" Bucket (72P214)

<b>LIFT CAPACITY</b>	2500 psi   3000 psi
31.5" from Pin	3000   3600
At Pivot Pin	4935   5925
<b>LIFT HEIGHT</b>	10'   120"
<b>PKG WEIGHT</b>	1541#
<b>COLOR*</b>	Westendorf Red

\*Custom Paint Colors Available. Call for Pricing.

**FACTORY INSTALLED UPGRADES**

Description	P/N	PAGE	PRICE
Snap-Attach System	C-6	46	Add <b>468</b>
Bucket Options			
- Back Drag Bucket	BD	50	Add <b>299</b>
- Heavy Duty Bucket Teeth (set of 2)	BTB-390	50	Add <b>205</b>
- Chain Hooks	CH		Add <b>51</b>
- Grab Fork Hooks (Std Buckets)	GF		Add <b>116</b>
Rotational Height Indicator	LAC-25	50	Add <b>53</b>
Full Range Level Indicator	LAC-15	50	Add <b>28</b>
Radiator Grill Guard	RG	45	Add <b>102</b>
3rd Steel Line mtd, w/couplers			
- Steel Line	T	45	Add <b>178</b>
- Steel Line w/hoses to tractor	T2	45	Add <b>285</b>
- Steel Line w/hoses to manifold/tractor*	T3	45	Add <b>341</b>
- Steel Line w/hoses to manifold/valve*	T4	45	Add <b>315</b>

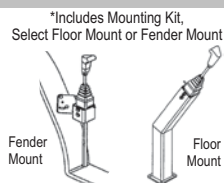
\* Requires a 3-spool manifold upgrade - see HYDRAULIC MANIFOLDS

**HYDRAULIC MANIFOLDS**

Description	P/N	PAGE	PRICE
<b>1-SPOOL MANIFOLDS</b> to quick-connect T-line to attachment			
- Standard Manifold		44	<b>INC</b>
- Hydra-Snap™	MA-190	44	<b>176</b>
- Flat Face Hydra-Snap™	MA-384	44	<b>439</b>
<b>2-SPOOL MANIFOLDS</b> to quick-connect loader to tractor			
- Standard Manifold	MA-40	44	<b>INC</b>
- Under Pressure Manifold	MA-80	44	Add <b>86</b>
- Hydra-Snap™ Manifold	MA-280	44	Add <b>213</b>
- Flat Face Hydra-Snap™ Manifold	MA-380	44	Add <b>718</b>
<b>*3-SPOOL MANIFOLDS</b> to quick-connect loader to tractor			
- Standard Manifold	MA-43	44	Add <b>56</b>
- Under Pressure Manifold	MA-83	44	Add <b>139</b>
- Hydra-Snap™ Manifold	MA-283	44	Add <b>340</b>
- Flat Face Hydra-Snap™ Manifold	MA-383	44	Add <b>1,143</b>
Level UP Advantage (Reg. \$906)	LV-UP	45	Add <b>493</b>
Comfort Ride	CRS-750	45	Add <b>874</b>

**JOYSTICKS & HYDRAULIC PACKAGES - p. 52**

OC/CC - OPEN CENTER / CLOSED CENTER HYDRAULIC SYSTEMS						
Spool	1 Valve w/Handles and Mounting Kit	2 Valve w/Direct Joystick & Mtg.Kit	3 Valve with Remote Cable Joystick*	4 Precision Valve and Remote Joystick*	5 Precision Valve w/Level-UP* Pre-Assembled-Ready to Use	6 All Electronic Valve with Electronic Joystick*
A	2 OC/CC	718	825	1,292	1,382	1,658
B	3 OC/CC	864	967	1,721	1,924	2,201
PFC - PRESSURE FLOW HYDRAULIC SYSTEMS						
C	2 PFC	N/A	N/A	N/A	2,272	2,551
D	3 PFC	N/A	N/A	N/A	2,631	2,905



**BUCKET UPGRADES**

BUCKETS	P/N	PAGE	PRICE
72" Bucket	72P214	48	<b>INC</b>
84" Bucket	84P216	48	Add <b>87</b>
<b>SKID STEER COMPATIBLE BUCKETS &amp; ADAPTERS</b>			
Adapter-adapts loader to skid steer	C-31	46	Add <b>546</b>
66" Skid Steer Bucket	66QS14	48	Deduct <b>-303</b>
72" Skid Steer Bucket	72QS14	48	Add <b>89</b>
84" Skid Steer Bucket	84QS16	48	Add <b>177</b>
<b>SPECIALTY BUCKETS</b>			
Fork Bucket	FB-42	51	<b>1,075</b>
Tine Bucket	TB-38	51	<b>1,441</b>

**ATTACHMENTS**

HAY HANDLING	P/N	PAGE	PRICE
Bucket Bale Spear	SP-22	59	<b>399</b>
2-Prong Bale Spear	SP-42	59	<b>855</b>
3-Prong Bale Spear	SP-43	59	<b>806</b>
4-Prong Bale Spear	SP-74	59	<b>1,554</b>
Stack Saver I	SS-I	59	<b>987</b>
Stack Saver II - 3	SS-II-3	59	<b>1,145</b>
Bale Grab	BG-34	58	<b>1,347</b>
Squeezer™	SQ-80	58	<b>2,028</b>

MATERIAL HANDLING	P/N	PAGE	PRICE
Brush Crusher	BC-4000	54	<b>1,251</b>
Brush Crusher*	BC-5000	54	<b>1,649</b>
Brush Crusher*	BC-6000	55	<b>2,565</b>
Brush Crusher** 56" w/finishing teeth	BC-7700	55	<b>3,336</b>
Brush Crusher* 72" w/finishing teeth	BC-8800	55	<b>5,061</b>
Quick Tach Bucket Teeth	QT-72	50	<b>670</b>
Rake Teeth	RK-40	50	<b>240</b>
Sabretooth	GF-32	51	<b>778</b>
Jiffy Monster Grab Fork	GF-20	57	<b>1,491</b>
42" Fork Lift	FL-42	60	<b>1,408</b>
48" Fork Lift	FL-48	60	<b>1,498</b>
Extendable Boom	EB-34	60	<b>1,016</b>

\* Requires Snap-Attach System \*\*Requires Skid-Steer Adapter

ADDITIONAL ATTACHMENTS	P/N	PAGE	PRICE
96" V-Plow	VP-96	60	<b>1,624</b>
84" Dozer Blade	DB-84	61	<b>1,207</b>
84" Dozer Blade w/Top Extension	DB-84TC	61	<b>1,711</b>
96" Snow Scraper	SBB-8	61	<b>2,599</b>
96" Snow Scraper with Poly Blade	SBB-8P	61	<b>3,285</b>
- Top Extension for Snow Scraper	SBB-TC	61	Add <b>504</b>
Dual Tire Changer Max for bucket	DC-1	51	<b>504</b>

ADAPTER OPTIONS	P/N	PAGE	PRICE
Skid-Steer Adapters - In Lieu of C-2/C-3	C-19	46	Add <b>131</b>
Skid-Steer Adapters - Extra Set (2)	C-19	46	<b>250</b>
Snap-Attach Adapters - Extra Set (2)	C-2/C-3	46	<b>119</b>
Snap-Attach Synchronizer	QCS-200	46	<b>74</b>

**The WL Series workhorse** up to 100 HP 2WD

The WL-27 is ready for any chore your tractor can handle. It is considered an outstanding hay loader with its 12' lift height and its low-profile design looks great on today's newer tractors. This powerful loader falls between the WL-21 and WL-42 for fits and features and will get all those jobs done quickly and efficiently.

**WL-27 BASE PACKAGE..... \$7,580**

Footnotes found in Bracket Chart

**WL-27 Base Package:**

- 2-1/2" Bucket & Lift Cylinders
- Hydraulic Power-Mount™
- Snap-Attach™ System
- Standard Bracket Set
- Hose Kit
- MA-40 Hydraulic Manifold
- Bucket Gauge Rod
- 72" Bucket (72Q214)

<b>LIFT CAPACITY</b>	2500 psi   3000 psi
31.5" from Pin	3100   3720
At Pivot Pin	4540   5450
<b>LIFT HEIGHT</b>	12'   144"
<b>PKG WEIGHT</b>	1733#
<b>COLOR*</b>	Westendorf Red

\*Custom Paint Colors Available. Call for Pricing.

**FACTORY INSTALLED UPGRADES**

Description	P/N	PAGE	PRICE
Bucket Options			
- Back Drag Bucket	BD	50	Add <b>299</b>
- Heavy Duty Bucket Teeth (set of 2)	BTB-390	50	Add <b>205</b>
- Chain Hooks	CH		Add <b>51</b>
- Grab Fork Hooks (Std Buckets)	GF		Add <b>116</b>
Rotational Height Indicator	LAC-25	50	Add <b>53</b>
Full Range Level Indicator	LAC-15	50	Add <b>28</b>
Radiator Grill Guard	RG	45	Add <b>102</b>
3rd Steel Line mtd, w/couplers			
- Steel Line	T	45	Add <b>178</b>
- Steel Line w/hoses to tractor	T2	45	Add <b>285</b>
- Steel Line w/hoses to manifold/tractor*	T3	45	Add <b>341</b>
- Steel Line w/hoses to manifold/valve*	T4	45	Add <b>315</b>

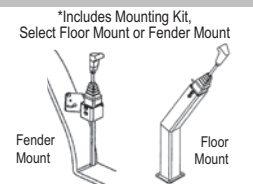
\* Requires a 3-spool manifold upgrade - see HYDRAULIC MANIFOLDS

**HYDRAULIC MANIFOLDS**

Description	P/N	PAGE	PRICE
<b>1-SPOOL MANIFOLDS</b> to quick-connect T-line to attachment			
- Standard Manifold		44	<b>INC</b>
- Hydra-Snap™	MA-190	44	<b>176</b>
- Flat Face Hydra-Snap™	MA-384	44	<b>439</b>
<b>2-SPOOL MANIFOLDS</b> to quick-connect loader to tractor			
- Standard Manifold	MA-40	44	<b>INC</b>
- Under Pressure Manifold	MA-80	44	Add <b>86</b>
- Hydra-Snap™ Manifold	MA-280	44	Add <b>213</b>
- Flat Face Hydra-Snap™ Manifold	MA-380	44	Add <b>718</b>
<b>*3-SPOOL MANIFOLDS</b> to quick-connect loader to tractor			
- Standard Manifold	MA-43	44	Add <b>56</b>
- Under Pressure Manifold	MA-83	44	Add <b>139</b>
- Hydra-Snap™ Manifold	MA-283	44	Add <b>340</b>
- Flat Face Hydra-Snap™ Manifold	MA-383	44	Add <b>1,143</b>
Level UP Advantage (Reg. \$906)	LV-UP	45	Add <b>493</b>
Comfort Ride	CRS-750	45	Add <b>874</b>

**JOYSTICKS & HYDRAULIC PACKAGES - p. 52**

OC/CC - OPEN CENTER / CLOSED CENTER HYDRAULIC SYSTEMS						
Spool	1 Valve w/Handles and Mounting Kit	2 Valve w/Direct Joystick & Mtg.Kit	3 Valve with Remote Cable Joystick*	4 Precision Valve and Remote Joystick*	5 Precision Valve w/Level-UP* Pre-Assembled-Ready to Use	6 All Electronic Valve with Electronic Joystick*
A	2 OC/CC	718	825	1,292	1,382	1,658
B	3 OC/CC	864	967	1,721	1,924	2,201
PFC - PRESSURE FLOW HYDRAULIC SYSTEMS						
C	2 PFC	N/A	N/A	N/A	2,272	2,551
D	3 PFC	N/A	N/A	N/A	2,631	2,905



**Power plus a whole lot more**



The WL-42 is hands down the best 2WD loader for your dollar. It has the strength and long-term durability to provide you many, many years of service. Its classic styling lends itself well to old or new 2WD tractors. It features the original on and off without stands and the Snap-Attach™ for quick attachment changes.

# WL-42

**BASE PACKAGE ..... \$8,995**

Footnotes found in Bracket Chart

**WL-42 Base Package:**

- 2-1/2" Bucket Cylinders
- 3" Lift Cylinders
- Hydraulic Power-Mount™
- Snap-Attach™ System
- Standard Bracket Set
- Hose Kit
- MA-40 Hydraulic Manifold
- Bucket Gauge Rod
- 84" Lg. Cap. Bucket (84Q425)

LIFT CAPACITY	2500 psi	3000 psi
31.5" from Pin	4000	4800
At Pivot Pin	5860	7025
LIFT HEIGHT	12' 6"	150"
PKG WEIGHT	2094#	
COLOR*	Westendorf Red	

\*Custom Paint Colors Available. Call for Pricing.

**FACTORY INSTALLED UPGRADES**

Description	P/N	PAGE	Price
Loader has special tower. <i>Order when call for in bracket chart.</i>	A	Add	<b>164</b>
Mechanical Self-Leveling	B	Add	<b>961</b>
Bucket Cylinder Upgrade	C	Add	<b>251</b>
Bucket Options			
- Back Draa Bucket	BD	50	Add <b>299</b>
- Heavy Duty Bucket Teeth (set of 2)	BTB-390	50	Add <b>205</b>
- Chain Hooks	CH		Add <b>51</b>
- Grab Fork Hooks (Std Buckets)	GF		Add <b>116</b>
- Grab Fork Hooks (HDHC Buckets)	GF		Add <b>407</b>
Rotational Height Indicator	LAC-25	50	Add <b>53</b>
Full Range Level Indicator	LAC-15	50	Add <b>28</b>
Radiator Grill Guard	RG	45	Add <b>102</b>
3rd Steel Line mtd, w/couplers			
- Steel Line	T	45	Add <b>178</b>
- Steel Line w/hoses to tractor	T2	45	Add <b>285</b>
- Steel Line w/hoses to manifold/tractor*	T3	45	Add <b>341</b>
- Steel Line w/hoses to manifold/valve*	T4	45	Add <b>315</b>

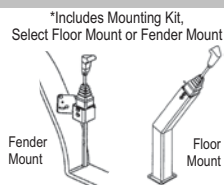
\* Requires a 3-spool manifold upgrade - see HYDRAULIC MANIFOLDS

**HYDRAULIC MANIFOLDS**

Description	P/N	PAGE	PRICE
<b>1-SPOOL MANIFOLDS</b> to quick-connect T-line to attachment			
- Standard Manifold		44	<b>INC</b>
- Hydra-Snap™	MA-190	44	<b>176</b>
- Flat Face Hydra-Snap™	MA-384	44	<b>439</b>
<b>2-SPOOL MANIFOLDS</b> to quick-connect loader to tractor			
- Standard Manifold	MA-40	44	<b>INC</b>
- Under Pressure Manifold	MA-80	44	Add <b>86</b>
- Hydra-Snap™ Manifold	MA-280	44	Add <b>213</b>
- Flat Face Hydra-Snap™ Manifold	MA-380	44	Add <b>718</b>
<b>*3-SPOOL MANIFOLDS</b> to quick-connect loader to tractor			
- Standard Manifold	MA-43	44	Add <b>56</b>
- Under Pressure Manifold	MA-83	44	Add <b>139</b>
- Hydra-Snap™ Manifold	MA-283	44	Add <b>340</b>
- Flat Face Hydra-Snap™ Manifold	MA-383	44	Add <b>1,143</b>
Level UP Advantage (Reg. \$906)	LV-UP	45	Add <b>493</b>
Comfort Ride	CRS-750	45	Add <b>874</b>

**JOYSTICKS & HYDRAULIC PACKAGES - p. 52**

OC/CC - OPEN CENTER / CLOSED CENTER HYDRAULIC SYSTEMS						
Spool	1 Valve w/Handles and Mounting Kit	2 Valve w/Direct Joystick & Mtg.Kit	3 Valve with Remote Cable Joystick*	4 Precision Valve and Remote Joystick*	5 Precision Valve w/Level-UP* Pre-Assembled-Ready to Use	6 All Electronic Valve with Electronic Joystick*
A	2 OC/CC	718	825	1,292	1,382	N/A
B	3 OC/CC	864	967	1,721	1,924	N/A
PFC - PRESSURE FLOW HYDRAULIC SYSTEMS						
C	2 PFC	N/A	N/A	N/A	2,272	6,566
D	3 PFC	N/A	N/A	N/A	2,631	6,899



**BUCKET UPGRADES**

BUCKETS	P/N	PAGE	PRICE
84" Large Capacity Bucket	84Q425	48	<b>INC</b>
96" Large Capacity Bucket	96Q429	48	Add <b>134</b>
<b>HDHC= HEAVY DUTY HIGH CAPACITY BUCKETS</b>			
84" HDHC Double Weld-On Blade	84Q431W	48	Add <b>368</b>
84" HDHC Bolt-On Blade	84Q431B	48	Add <b>533</b>
96" HDHC Double Weld-On Blade	96Q435W	48	Add <b>569</b>
96" HDHC Bolt-On Blade	96Q435B	48	Add <b>828</b>
<b>SPECIALTY BUCKETS</b>			
High Vol. Low Density Bucket	96Q454	48	Add <b>462</b>
Z-47 Feeder Bucket	Z-47	48	Add <b>3,658</b>
Feed Bunk Bucket	FBB-112	48	Add <b>344</b>
Fork Bucket	FB-42	51	<b>1,075</b>
Tine Bucket	TB-38	51	<b>1,441</b>

**ATTACHMENTS**

HAY HANDLING	P/N	PAGE	PRICE
2-Prong Bale Spear	SP-42	59	<b>855</b>
3-Prong Bale Spear	SP-43	59	<b>806</b>
4-Prong Bale Spear	SP-74	59	<b>1,554</b>
Stack Saver I	SS-I	59	<b>987</b>
Stack Saver II - 3	SS-II-3	59	<b>1,145</b>
Bale Handler	BH-15	58	<b>4,536</b>
Bale Grab	BG-34	58	<b>1,347</b>
Squeezer™	SQ-80	58	<b>2,028</b>

MATERIAL HANDLING	P/N	PAGE	PRICE
Brush Crusher	BC-5000	54	<b>1,649</b>
Brush Crusher	BC-6000	55	<b>2,565</b>
Brush Crusher 72" w/finishing teeth	BC-8800	55	<b>5,061</b>
Bucket Teeth 84" & 96" BUCKETS	BT-84	50	<b>789</b>
Rake Teeth	RK-40	50	<b>240</b>
42" Fork Lift	FL-42	60	<b>1,408</b>
48" Fork Lift	FL-48	60	<b>1,498</b>
Extendable Boom	EB-34	60	<b>1,016</b>
Sabretooth	GF-32	51	<b>778</b>
Monster Grab Fork Straight Teeth	GF-51	57	<b>1,964</b>
Monster Grab Fork Curved Teeth	GF-52	57	<b>2,237</b>
Quick Mount Claw Grab Fork	GF-64	57	<b>2,299</b>
84" Cat Claw 3-D Grab Fork*	GF-184-3D	56	<b>3,376</b>
96" Cat Claw 3-D Grab Fork*	GF-196-3D	56	<b>3,716</b>
84" Cat Claw 3-D Grab Fork	GF-84-3D	56	<b>2,705</b>
96" Cat Claw 3-D Grab Fork	GF-96-3D	56	<b>3,045</b>

\* For Freedom Mount, HDHC and HD Custom Contour Buckets

ADDITIONAL ATTACHMENTS	P/N	PAGE	PRICE
96" V-Plow	VP-96	60	<b>1,624</b>
84" Dozer Blade	DB-84	61	<b>1,207</b>
96" Dozer Blade	DB-96	61	<b>1,340</b>
- Top Extension for Dozer Blade	DB-TC	61	Add <b>504</b>
96" Snow Scraper	SBB-8	61	<b>2,599</b>
96" Snow Scraper w/Poly Blade	SBB-8-P	61	<b>3,285</b>
120" Snow Scraper	SBB-10	61	<b>2,898</b>
120" Snow Scraper w/Poly Blade	SBB-10-P	61	<b>3,783</b>
- Top Extension for Snow Scraper	SBB-TC	61	Add <b>504</b>
Dual Changer Max for bucket	DC-1	51	<b>504</b>

ADAPTER OPTIONS	P/N	PAGE	PRICE
Skid-Steer Adapters - In Lieu of C-2/C-3	C-19	46	Add <b>131</b>
Skid-Steer Adapters - Extra Set (2)	C-19	46	<b>250</b>
Snap-Attach Adapters - Set (2)	C-2/C-3	46	<b>119</b>
Snap-Attach Synchronizer	QCS-400	46	<b>85</b>

**Quality priced right**



The TA-25 is a great example of Westendorf quality at the right price. The TA-25 is a well-built, low-profile loader for nurseries and small cattle feeders, built for the every day user. It has the same great Power-Mount™ feature of the larger loaders and also includes an economical quick-change bucket system that automatically locks into the next attachment.

# TA-25

**BASE PACKAGE ..... \$5,690**

Footnotes found in Bracket Chart

**TA-25 Base Package:**

- 2" Bucket Cylinders
- 2-1/2" Lift Cylinders
- Hydraulic Power-Mount™
- Quick-Attach
- Standard Bracket Set
- Hose Kit
- MA-40 Hydraulic Manifold
- Bucket Gauge Rod
- 60" Bucket (60Q512)

LIFT CAPACITY	2500 psi	3000 psi
31.5" from Pin	3000	3600
At Pivot Pin	4395	5275
LIFT HEIGHT	9' 4"	112"
PKG WEIGHT	1255#	
COLOR*	Stone Black	

\*Custom Paint Colors Available. Call for Pricing.

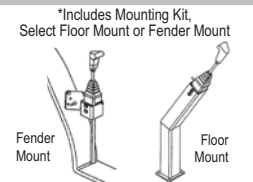
**FACTORY INSTALLED UPGRADES**

Description	P/N	PAGE	Price
Rotational Height Indicator	LAC-25	50	Add <b>53</b>
Full Range Level Indicator	LAC-15	50	Add <b>28</b>
Radiator Grill Guard	RG	45	Add <b>102</b>
3rd Steel Line mtd, w/couplers			
- Steel Line	T	45	Add <b>178</b>
- Steel Line w/hoses to tractor	T2	45	Add <b>285</b>
- Steel Line w/hoses to manifold/tractor*	T3	45	Add <b>341</b>
- Steel Line w/hoses to manifold/valve*	T4	45	Add <b>315</b>

\* Requires a 3-spool manifold - see HYDRAULIC MANIFOLDS

**JOYSTICKS & HYDRAULIC PACKAGES - p. 52**

OC/CC - OPEN CENTER / CLOSED CENTER HYDRAULIC SYSTEMS						
Spool	1 Valve w/Handles and Mounting Kit	2 Valve w/Direct Joystick & Mtg.Kit	3 Valve with Remote Cable Joystick*	4 Precision Valve and Remote Joystick*	5 Precision Valve w/Level-UP* Pre-Assembled-Ready to Use	6 All Electronic Valve with Electronic Joystick*
A	2 OC/CC	718	825	1,292	1,382	N/A
B	3 OC/CC	864	967	1,721	1,924	N/A
PFC - PRESSURE FLOW HYDRAULIC SYSTEMS						
C	2 PFC	N/A	N/A	N/A	2,272	6,566
D	3 PFC	N/A	N/A	N/A	2,631	6,899





**#1 Customer Preferred loader with over 1300 fits**

With over 1300 fits, this is our most popular 4WD loader. The power linkage, slide locks, shoe adjustments, case hardened pins, and add-on self-leveling kit have proven that the TA-26 is the best all-around loader for versatility and dependability. Its unique I-beam construction and double tapered arm gives it superior strength and a low-profile fit, all in one package.

**TA-26 BASE PACKAGE.....\$6,950**

Footnotes found in Bracket Chart

**TA-26 Base Package:**

- 2-1/2" Bucket Cylinders
- 3" Lift Cylinders
- Hydraulic Power-Mount™
- Snap-Attach™
- Standard Bracket Set
- Hose Kit
- MA-40 Hydraulic Manifold
- Bucket Gauge Rod
- 72" Lg Cap Bucket (72Q214)

LIFT CAPACITY	2500 psi   3000 psi
31.5" from Pin	3000   3600
At Pivot Pin	4395   5275
LIFT HEIGHT	10' 5"   125"
PKG WEIGHT	1755#
COLOR*	Stone Black

\*Custom Paint Colors Available. Call for Pricing.

**FACTORY INSTALLED UPGRADES**

Description	P/N	PAGE	PRICE
Add-on Mech. Self-Leveling - Low Profile <i>Adds 20% more lift capacity (Reg. \$724)</i>	B	27	Add <b>648</b>
<b>Bucket Options</b>			
- Back Drag Bucket	BD	50	Add <b>299</b>
- Heavy Duty Bucket Teeth (set of 2)	BTB-390	50	Add <b>205</b>
- Chain Hooks	CH		Add <b>51</b>
- Grab Fork Hooks (Std Buckets)	GF		Add <b>116</b>
Rotational Height Indicator	LAC-25	50	Add <b>53</b>
Full Range Level Indicator	LAC-15	50	Add <b>28</b>
Radiator Grill Guard	RG	45	Add <b>102</b>
<b>3rd Steel Line mtd, w/couplers</b>			
- Steel Line	T	45	Add <b>178</b>
- Steel Line w/hoses to tractor	T2	45	Add <b>285</b>
- Steel Line w/hoses to manifold/tractor*	T3	45	Add <b>341</b>
- Steel Line w/hoses to manifold/valve*	T4	45	Add <b>315</b>

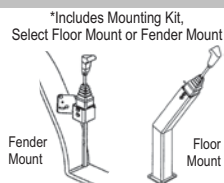
\* Requires a 3-spool manifold - see HYDRAULIC MANIFOLDS

**HYDRAULIC MANIFOLDS**

Description	P/N	PAGE	PRICE
<b>1-SPOOL MANIFOLDS</b> to quick-connect T-line to attachment			
- Standard Manifold		44	<b>INC</b>
- Hydra-Snap™	MA-190	44	<b>176</b>
- Flat Face Hydra-Snap™	MA-384	44	<b>439</b>
<b>2-SPOOL MANIFOLDS</b> to quick-connect loader to tractor			
- Standard Manifold	MA-40	44	<b>INC</b>
- Under Pressure Manifold	MA-80	44	Add <b>86</b>
- Hydra-Snap™ Manifold	MA-280	44	Add <b>213</b>
- Flat Face Hydra-Snap™ Manifold	MA-380	44	Add <b>718</b>
<b>*3-SPOOL MANIFOLDS</b> to quick-connect loader to tractor			
- Standard Manifold	MA-43	44	Add <b>56</b>
- Under Pressure Manifold	MA-83	44	Add <b>139</b>
- Hydra-Snap™ Manifold	MA-283	44	Add <b>340</b>
- Flat Face Hydra-Snap™ Manifold	MA-383	44	Add <b>1,143</b>
Level UP Advantage (Reg. \$906)	LV-UP	45	Add <b>493</b>
Comfort Ride	CRS-750	45	Add <b>874</b>

**JOYSTICKS & HYDRAULIC PACKAGES - p. 52**

OC/CC - OPEN CENTER / CLOSED CENTER HYDRAULIC SYSTEMS						
Spool	1 Valve w/Handles and Mounting Kit	2 Valve w/Direct Joystick & Mtg.Kit	3 Valve with Remote Cable Joystick*	4 Precision Valve and Remote Joystick*	5 Precision Valve w/Level-UP* Pre-Assembled-Ready to Use	6 All Electronic Valve with Electronic Joystick*
<b>A</b>	2 OC/CC	<b>718</b>	<b>825</b>	<b>1,292</b>	<b>1,382</b>	<b>1,658</b>
<b>B</b>	3 OC/CC	<b>864</b>	<b>967</b>	<b>1,721</b>	<b>1,924</b>	<b>2,201</b>
PFC - PRESSURE FLOW HYDRAULIC SYSTEMS						
<b>C</b>	2 PFC	N/A	N/A	N/A	<b>2,272</b>	<b>2,551</b>
<b>D</b>	3 PFC	N/A	N/A	N/A	<b>2,631</b>	<b>2,905</b>



**BUCKET UPGRADES**

BUCKETS	P/N	PAGE	PRICE
72" Bucket	72Q214	48	<b>INC</b>
84" Bucket	84Q216	48	Add <b>87</b>

**SKID STEER COMPATIBLE BUCKETS & ADAPTERS**

Adapter - adapts to skid steer attachment	C-30	46	Add <b>78</b>
72" Skid Steer Bucket	72QS14	48	Add <b>88</b>
84" Skid Steer Bucket	84QS16	48	Add <b>177</b>

**SPECIALTY BUCKETS**

High Vol. Low Density Bucket	96Q254	46	Add <b>651</b>
Fork Bucket	FB-42	51	<b>1,075</b>
Tine Bucket	TB-38	51	<b>1,441</b>

**ATTACHMENTS**

HAY HANDLING	P/N	PAGE	PRICE
Bucket Bale Spear	SP-22	59	<b>399</b>
2-Prong Bale Spear	SP-42	59	<b>855</b>
3-Prong Bale Spear	SP-43	59	<b>806</b>
4-Prong Bale Spear	SP-74	59	<b>1,554</b>
Stack Saver I	SS-I	59	<b>987</b>
Stack Saver II - 3	SS-II-3	59	<b>1,145</b>
Bale Handler	BH-15	58	<b>4,536</b>
Bale Grab	BG-34	58	<b>1,347</b>
Squeezer™	SQ-80	58	<b>2,028</b>

MATERIAL HANDLING	P/N	PAGE	PRICE
Brush Crusher	BC-5000	54	<b>1,649</b>
Brush Crusher	BC-6000	55	<b>2,565</b>
Brush Crusher 72" w/finishing teeth	BC-8800	55	<b>5,061</b>
Bucket Teeth	QT-72	50	<b>670</b>
Rake Teeth	RK-40	50	<b>240</b>
Sabretooth	GF-32	51	<b>778</b>
Jiffy Monster Grab Fork	GF-20	57	<b>1,491</b>
42" Fork Lift	FL-42	60	<b>1,408</b>
48" Fork Lift	FL-48	60	<b>1,498</b>
Extendable Boom	EB-34	60	<b>1,016</b>

ADDITIONAL ATTACHMENTS	P/N	PAGE	PRICE
96" V-Plow	VP-96	60	<b>1,624</b>
84" Dozer Blade	DB-84	61	<b>1,207</b>
84" Dozer Blade w/Top Extension	DB-84TC	61	<b>1,711</b>
96" Snow Scraper	SBB-8	61	<b>2,599</b>
96" Snow Scraper w/Poly Blade	SBB-8-P	61	<b>3,285</b>
- Top Extension for Snow Scraper	SBB-TC	61	Add <b>504</b>
Dual Changer Max for bucket	DC-1	51	<b>504</b>
2'-6" Height Extension	EXT-26		Add <b>1,006</b>

ADAPTER OPTIONS	P/N	PAGE	PRICE
Skid-Steer Adapters - In Lieu of C-2/C-3	C-19	46	Add <b>131</b>
Skid-Steer Adapters - Extra Set (2)	C-19	46	<b>250</b>
Snap-Attach Adapters - Set (2)	C-2/C-3	46	<b>119</b>
Snap-Attach Synchronizer	QCS-200	46	<b>74</b>

**The NEXT generation – fully loaded**

This loader has all the same great features as the TA-26, but includes an updated, modern shape and styling over the entire loader. It features the Snap-Attach™, Hydra-Snap™ one lever multi-unit coupling system, rotational full-range bucket indicator and grease-from-the-end pins for easy maintenance.

**TA-26 plus BASE PACKAGE.....\$7,390**

Footnotes found in Bracket Chart

**TA-26 Plus Base Package:**

- 2-1/2" Bucket Cylinders
- 3" Lift Cylinders
- Hydraulic Power-Mount™
- Snap-Attach™
- Standard Bracket Set
- Hose Kit
- Hydra-Snap™ Manifold
- Rotational Level Indicator
- 72" Large Capacity Bucket (72Q214)

LIFT CAPACITY	2500 psi   3000 psi
31.5" from Pin	3000   3600
At Pivot Pin	4395   5275
LIFT HEIGHT	10' 5"   125"
PKG WEIGHT	1755#
COLOR*	Stone Black

\*Custom Paint Colors Available. Call for Pricing.

**FACTORY INSTALLED UPGRADES**

Description	P/N	PAGE	PRICE
Add-on Mech. Self-Leveling - Low Profile <i>Adds 20% more lift capacity (Reg. \$734)</i>	B	27	Add <b>648</b>
<b>Bucket Options</b>			
- Back Drag Bucket	BD	50	Add <b>299</b>
- Heavy Duty Bucket Teeth (set of 2)	BTB-390	50	Add <b>205</b>
- Chain Hooks	CH		Add <b>51</b>
- Grab Fork Hooks (Std Buckets)	GF		Add <b>116</b>
Rotational Height Indicator	LAC-25	50	Add <b>53</b>
Full Range Level Indicator	LAC-15	50	<b>INC</b>
Radiator Grill Guard	RG	45	Add <b>102</b>
<b>3rd Steel Line mtd, w/couplers</b>			
- Steel Line	T	45	Add <b>178</b>
- Steel Line w/hoses to tractor	T2	45	Add <b>285</b>
- Steel Line w/hoses to manifold/tractor*	T3	45	Add <b>341</b>
- Steel Line w/hoses to manifold/valve*	T4	45	Add <b>315</b>

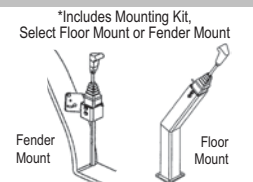
\* Requires a 3-spool manifold - see HYDRAULIC MANIFOLDS

**HYDRAULIC MANIFOLDS**

Description	P/N	PAGE	PRICE
<b>1-SPOOL MANIFOLDS</b> to quick-connect T-line to attachment			
- Standard Manifold		44	<b>INC</b>
- Hydra-Snap™	MA-190	44	<b>176</b>
- Flat Face Hydra-Snap™	MA-384	44	<b>439</b>
<b>2-SPOOL MANIFOLDS</b> to quick-connect loader to tractor			
- Hydra-Snap™ Manifold	MA-280	44	Add <b>INC</b>
- Flat Face Hydra-Snap™ Manifold	MA-380	44	Add <b>504</b>
<b>*3-SPOOL MANIFOLDS</b> to quick-connect loader to tractor			
- Hydra-Snap™ Manifold	MA-283	44	Add <b>126</b>
- Flat Face Hydra-Snap™ Manifold	MA-383	44	Add <b>930</b>
Level UP Advantage (Reg. \$906)	LV-UP	45	Add <b>493</b>
Comfort Ride	CRS-750	45	Add <b>874</b>

**JOYSTICKS & HYDRAULIC PACKAGES - p. 52**

OC/CC - OPEN CENTER / CLOSED CENTER HYDRAULIC SYSTEMS						
Spool	1 Valve w/Handles and Mounting Kit	2 Valve w/Direct Joystick & Mtg.Kit	3 Valve with Remote Cable Joystick*	4 Precision Valve and Remote Joystick*	5 Precision Valve w/Level-UP* Pre-Assembled-Ready to Use	6 All Electronic Valve with Electronic Joystick*
<b>A</b>	2 OC/CC	<b>718</b>	<b>825</b>	<b>1,292</b>	<b>1,382</b>	<b>1,658</b>
<b>B</b>	3 OC/CC	<b>864</b>	<b>967</b>	<b>1,721</b>	<b>1,924</b>	<b>2,201</b>
PFC - PRESSURE FLOW HYDRAULIC SYSTEMS						
<b>C</b>	2 PFC	N/A	N/A	N/A	<b>2,272</b>	<b>2,551</b>
<b>D</b>	3 PFC	N/A	N/A	N/A	<b>2,631</b>	<b>2,905</b>



More... lift height

30-120 **HP** 30-90  
2WD 4WD

The TA-26<sup>12</sup> is the same as the TA-26 Plus with the added lift height to 12'. This model also includes both rotational indicators to monitor bucket position and loader arm position from the ground to loader's full lift height. Ideal for those that need the extra height for handling hay.

**TA-26<sup>12</sup> BASE PACKAGE** ..... **\$8,210**

Footnotes found in Bracket Chart

**TA-26<sup>12</sup> Base Package:**

- 2-1/2" Bucket Cylinders
- 3" Lift Cylinders
- Hydraulic Power-Mount™
- Snap-Attach™
- Standard Bracket Set
- Hose Kit
- Hydra-Snap™ Manifold
- Rotational Level Indicator
- Rotational Height Indicator
- 72" Large Capacity Bucket (72Q214)

LIFT CAPACITY	2500 psi	3000 psi
31.5" from Pin	3200	3480
At Pivot Pin	4680	5615
LIFT HEIGHT	12'   144"	
PKG WEIGHT	1900#	
COLOR*	Stone Black	

\*Custom Paint Colors Available. Call for Pricing.

**FACTORY INSTALLED UPGRADES**

Description	P/N	PAGE	Price
<b>Bucket Options</b>			
- Back Drag Bucket	BD	50	Add <b>299</b>
- Heavy Duty Bucket Teeth (set of 2)	BTB-390	50	Add <b>205</b>
- Chain Hooks	CH		Add <b>51</b>
- Grab Fork Hooks (Std Buckets)	GF		Add <b>116</b>
Rotational Height Indicator	LAC-25	50	<b>INC</b>
Full Range Level Indicator	LAC-15	50	<b>INC</b>
Radiator Grill Guard	RG	45	Add <b>102</b>
<b>3rd Steel Line mtd, w/couplers</b>			
- Steel Line	T	45	Add <b>178</b>
- Steel Line w/hoses to tractor	T2	45	Add <b>285</b>
- Steel Line w/hoses to manifold/tractor*	T3	45	Add <b>341</b>
- Steel Line w/hoses to manifold/valve*	T4	45	Add <b>315</b>

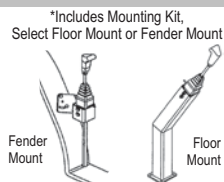
\* Requires a 3-spool manifold - see HYDRAULIC MANIFOLDS

**HYDRAULIC MANIFOLDS**

Description	P/N	PAGE	PRICE
<b>1-SPOOL MANIFOLDS</b> to quick-connect T-line to attachment			
- Standard Manifold		44	<b>INC</b>
- Hydra-Snap™	MA-190	44	<b>176</b>
- Flat Face Hydra-Snap™	MA-384	44	<b>439</b>
<b>2-SPOOL MANIFOLDS</b> to quick-connect loader to tractor			
- Hydra-Snap™ Manifold	MA-280	44	Add <b>213</b>
- Flat Face Hydra-Snap™ Manifold	MA-380	44	Add <b>718</b>
<b>*3-SPOOL MANIFOLDS</b> to quick-connect loader to tractor			
- Hydra-Snap™ Manifold	MA-283	44	Add <b>340</b>
- Flat Face Hydra-Snap™ Manifold	MA-383	44	Add <b>1,143</b>
Level UP Advantage (Reg. \$906)	LV-UP	45	Add <b>493</b>
Comfort Ride	CRS-750	45	Add <b>874</b>

**JOYSTICKS & HYDRAULIC PACKAGES - p. 52**

OC/CC - OPEN CENTER / CLOSED CENTER HYDRAULIC SYSTEMS						
Spool	1 Valve w/Handles and Mounting Kit	2 Valve w/Direct Joystick & Mtg.Kit	3 Valve with Remote Cable Joystick*	4 Precision Valve and Remote Joystick*	5 Precision Valve w/Level-UP* Pre-Assembled-Ready to Use	6 All Electronic Valve with Electronic Joystick*
<b>A</b> 2 OC/CC	<b>718</b>	<b>825</b>	<b>1,292</b>	<b>1,382</b>	<b>1,658</b>	N/A
<b>B</b> 3 OC/CC	<b>864</b>	<b>967</b>	<b>1,721</b>	<b>1,924</b>	<b>2,201</b>	N/A
PFC - PRESSURE FLOW HYDRAULIC SYSTEMS						
<b>C</b> 2 PFC	N/A	N/A	N/A	<b>2,272</b>	<b>2,551</b>	<b>6,566</b>
<b>D</b> 3 PFC	N/A	N/A	N/A	<b>2,631</b>	<b>2,905</b>	<b>6,899</b>



**BUCKET UPGRADES**

BUCKETS	P/N	PAGE	PRICE
72" Bucket	72Q214	48	<b>INC</b>
84" Bucket	84Q216	48	Add <b>87</b>
<b>SKID STEER COMPATIBLE BUCKETS &amp; ADAPTERS</b>			
Adapter - adapts to skid steer attachment	C-30	46	Add <b>78</b>
72" Skid Steer Bucket	72QS14	48	Add <b>88</b>
84" Skid Steer Bucket	84QS16	48	Add <b>177</b>
<b>SPECIALTY BUCKETS</b>			
High Vol. Low Density Bucket	96Q254	48	Add <b>651</b>
Fork Bucket	FB-42	51	<b>1,075</b>
Tine Bucket	TB-38	51	<b>1,441</b>

**ATTACHMENTS**

HAY HANDLING	P/N	PAGE	PRICE
Bucket Bale Spear	SP-22	59	<b>399</b>
2-Prong Bale Spear	SP-42	59	<b>855</b>
3-Prong Bale Spear	SP-43	59	<b>806</b>
4-Prong Bale Spear	SP-74	59	<b>1,554</b>
Stack Saver I	SS-I	59	<b>987</b>
Stack Saver II - 3	SS-II-3	59	<b>1,145</b>
Bale Handler	BH-15	58	<b>4,536</b>
Bale Grab	BG-34	58	<b>1,347</b>
Squeezer™	SQ-80	58	<b>2,028</b>
MATERIAL HANDLING	P/N	PAGE	PRICE
Brush Crusher	BC-5000	54	<b>1,649</b>
Brush Crusher	BC-6000	55	<b>2,565</b>
Brush Crusher 72" w/finishing teeth	BC-8800	55	<b>5,061</b>
Bucket Teeth	QT-72	50	<b>670</b>
Rake Teeth	RK-40	50	<b>240</b>
Sabretooth	GF-32	51	<b>778</b>
Jiffy Monster Grab Fork	GF-20	57	<b>1,491</b>
42" Fork Lift	FL-42	60	<b>1,408</b>
48" Fork Lift	FL-48	60	<b>1,498</b>
Extendable Boom	EB-34	60	<b>1,016</b>

ADDITIONAL ATTACHMENTS	P/N	PAGE	PRICE
96" V-Plow	VP-96	60	<b>1,624</b>
84" Dozer Blade	DB-84	61	<b>1,207</b>
84" Dozer Blade w/Top Extension	DB-84TC	61	<b>1,711</b>
96" Snow Scraper	SBB-8	61	<b>2,599</b>
96" Snow Scraper w/Poly Blade	SBB-8-P	61	<b>3,285</b>
- Top Extension for Snow Scraper	SBB-TC	61	Add <b>504</b>
Dual Changer Max for bucket	DC-1	51	<b>504</b>

ADAPTER OPTIONS	P/N	PAGE	PRICE
Skid-Steer Adapters - In Lieu of C-2/C-3	C-19	46	Add <b>131</b>
Skid-Steer Adapters - Extra Set (2)	C-19	46	<b>250</b>
Snap-Attach Adapters - Set (2)	C-2/C-3	46	<b>119</b>
Snap-Attach Synchronizer	QCS-200	46	<b>74</b>

The premiere hay loader

up to 160 **HP** up to 120  
2WD 4WD

The TA-28 is the proven loader built for front-wheel assist tractors. This mid-sized loader has a great profile and is an excellent hay loader with a lift height of 13'4" at a competitive price. It comes standard with a big 84" bucket that people really like. It is an ideal loader for the person coming from a WL-42 loader on a 2 wheel drive tractor upgrading to a 4 wheel drive tractor.

**TA-28 BASE PACKAGE** ..... **\$8,950**

Footnotes found in Bracket Chart

**TA-28 Base Package:**

- 2-1/2" Bucket Cylinders
- 3" Lift Cylinders
- Hydraulic Power-Mount™
- Snap-Attach™
- Standard Bracket Set
- Hose Kit
- MA-40 Hydraulic Manifold
- Bucket Gauge Rod
- 84" Bucket (84Q216)

LIFT CAPACITY	2500 psi	3000 psi
31.5" from Pin	4255	5106
At Pivot Pin	6230	7475
LIFT HEIGHT	13' 4"   160"	
PKG WEIGHT	2128#	
COLOR*	Stone Black	

\*Custom Paint Colors Available. Call for Pricing.

**FACTORY INSTALLED UPGRADES**

Description	P/N	PAGE	Price
Bucket Cylinder Upgrade	C		Add <b>251</b>
<b>Bucket Options</b>			
- Back Drag Bucket	BD	50	Add <b>299</b>
- Heavy Duty Bucket Teeth (set of 2)	BTB-390	50	Add <b>205</b>
- Chain Hooks	CH		Add <b>51</b>
- Grab Fork Hooks (Std Buckets)	GF		Add <b>116</b>
- Grab Fork Hooks (HDHC Buckets)	GF		Add <b>407</b>
Rotational Height Indicator	LAC-25	50	Add <b>53</b>
Full Range Level Indicator	LAC-15	50	Add <b>28</b>
Radiator Grill Guard	RG	45	Add <b>102</b>
<b>3rd Steel Line mtd, w/couplers</b>			
- Steel Line	T	45	Add <b>178</b>
- Steel Line w/hoses to tractor	T2	45	Add <b>285</b>
- Steel Line w/hoses to manifold/tractor*	T3	45	Add <b>341</b>
- Steel Line w/hoses to manifold/valve*	T4	45	Add <b>315</b>

\* Requires a 3-spool manifold - see HYDRAULIC MANIFOLDS

**HYDRAULIC MANIFOLDS**

Description	P/N	PAGE	PRICE
<b>1-SPOOL MANIFOLDS</b> to quick-connect T-line to attachment			
- Standard Manifold		44	<b>INC</b>
- Hydra-Snap™	MA-190	44	<b>176</b>
- Flat Face Hydra-Snap™	MA-384	44	<b>439</b>
<b>2-SPOOL MANIFOLDS</b> to quick-connect loader to tractor			
- Standard Manifold	MA-40	44	<b>INC</b>
- Under Pressure Manifold	MA-80	44	Add <b>86</b>
- Hydra-Snap™ Manifold	MA-280	44	Add <b>213</b>
- Flat Face Hydra-Snap™ Manifold	MA-380	44	Add <b>718</b>
<b>*3-SPOOL MANIFOLDS</b> to quick-connect loader to tractor			
- Standard Manifold	MA-43	44	Add <b>56</b>
- Under Pressure Manifold	MA-83	44	Add <b>139</b>
- Hydra-Snap™ Manifold	MA-283	44	Add <b>340</b>
- Flat Face Hydra-Snap™ Manifold	MA-383	44	Add <b>1,143</b>
Level UP Advantage (Reg. \$906)	LV-UP	45	Add <b>493</b>
Comfort Ride	CRS-750	45	Add <b>874</b>

**JOYSTICKS & HYDRAULIC PACKAGES**

See TA-26-12 loader on page 20 for package pricing.

**BUCKET UPGRADES**

BUCKETS	P/N	PAGE	PRICE
84" Bucket	84Q216	48	<b>INC</b>
84" Large Capacity Bucket	84Q225	48	Add <b>101</b>
90" Large Capacity Bucket	90Q225	48	Add <b>166</b>
<b>SKID STEER COMPATIBLE BUCKETS &amp; ADAPTERS</b>			
Adapter - adapts to skid steer attachment	C-31	46	Add <b>78</b>
84" Skid Steer Bucket	84QS16	48	Add <b>90</b>
84" Lg. Cap. Skid Steer Bucket	84QS25	48	Add <b>190</b>
90" Lg. Cap. Skid Steer Bucket	90QS25	48	Add <b>257</b>

**HDHC= HEAVY DUTY HIGH CAPACITY BUCKETS**

84" HDHC Double Weld-On Blade	84Q231W	48	Add <b>469</b>
84" HDHC Bolt-On Blade	84Q231B	48	Add <b>634</b>

**SPECIALTY BUCKETS**

High Vol. Low Density Bucket	96Q254	48	Add <b>563</b>
Z-47 Feeder Bucket	Z-47	48	Add <b>3,760</b>
Fork Bucket	FB-42	51	<b>1,075</b>
Tine Bucket	TB-38	51	<b>1,441</b>

**ATTACHMENTS**

HAY HANDLING	P/N	PAGE	PRICE
2-Prong Bale Spear	SP-42	59	<b>855</b>
3-Prong Bale Spear	SP-43	59	<b>806</b>
4-Prong Bale Spear	SP-74	59	<b>1,554</b>
Stack Saver I	SS-I	59	<b>987</b>
Stack Saver II - 3	SS-II-3	59	<b>1,145</b>
Bale Handler	BH-15	58	<b>4,536</b>
Bale Grab	BG-34	58	<b>1,347</b>
Squeezer™	SQ-80	58	<b>2,028</b>

**MATERIAL HANDLING**

P/N	PAGE	PRICE	
Brush Crusher	BC-5000	54	<b>1,649</b>
Brush Crusher	BC-6000	55	<b>2,565</b>
Brush Crusher 72" w/finishing teeth	BC-8800	55	<b>5,061</b>
72" Bucket Teeth	QT-72	50	<b>670</b>
84" Bucket Teeth 84" & 96" BUCKETS	BT-84	50	<b>789</b>
Rake Teeth	RK-40	50	<b>240</b>
42" Fork Lift	FL-42	60	<b>1,408</b>
48" Fork Lift	FL-48	60	<b>1,498</b>
Extendable Boom	EB-34	60	<b>1,016</b>
Sabretooth	GF-32	51	<b>778</b>
Jiffy Monster Grab Fork	GF-20	57	<b>1,491</b>
Monster Grab Fork**	GF-28	57	<b>2,237</b>
Quick Mount Claw**	GF-64	57	<b>2,299</b>
Cat Claw 3-D Grab Fork*	GF-184-3D	56	<b>3,376</b>
84" Cat Claw 3-D Grab Fork**	GF-84-3D	56	<b>2,705</b>

\* Fits Freedom Mount, HDHC and HD Custom Contour Buckets

\*\* Requires Large Capacity Bucket Upgrade

**ADDITIONAL ATTACHMENTS**

P/N	PAGE	PRICE	
96" V-Plow	VP-96	60	<b>1,624</b>
84" Dozer Blade	DB-84	61	<b>1,207</b>
84" Dozer Blade w/Top Extension	DB-84TC	61	<b>1,711</b>
96" Snow Scraper	SBB-8	61	<b>2,599</b>
96" Snow Scraper w/Poly Blade	SBB-8-P	61	<b>3,285</b>
- Top Extension for Snow Scraper	SBB-TC	61	Add <b>504</b>
Dual Changer Max for bucket	DC-1	51	<b>504</b>

**ADAPTER OPTIONS**

P/N	PAGE	PRICE	
Skid-Steer Adapters - In Lieu of C-2/C-3	C-19	46	Add <b>131</b>
Skid-Steer Adapters - Extra Set (2)	C-19	46	<b>250</b>
Snap-Attach Adapters - Set (2)	C-2/C-3	46	<b>119</b>
Snap-Attach Synchronizer	QCS-200	46	<b>74</b>



Streamlined fit for powerful 4WD tractors

The TA-28 Plus provides more features with a strong, clean profile and fit. Developed for the demanding everyday heavy user, the reinforced arms ensure strength to match the larger HP tractors. Case hardened, high-wear 1-1/4" pins have grease relief bushings for superior wear and zerks on the ends for easy maintenance. Low-profile fit ensures clear sightlines for safer operation.

**TA-28 plus**  
BASE PACKAGE ..... **\$9,490**

Footnotes found in Bracket Chart

**TA-28 Plus Base Package:**

- 3" Bucket Cylinders
- 3" Lift Cylinders
- Hydraulic Power-Mount™
- Snap-Attach™
- Standard Bracket Set
- Hose Kit
- MA-40 Hydraulic Manifold
- Bucket Gauge Rod
- 84" Bucket (84Q216)

LIFT CAPACITY	2500 psi   3000 psi
31.5" from Pin	4255   5100
At Pivot Pin	6230   7476
LIFT HEIGHT	13' 4"   160"
PKG WEIGHT	2160#
COLOR*	Stone Black

\*Custom Paint Colors Available. Call for Pricing.

**FACTORY INSTALLED UPGRADES**

Description	P/N	PAGE	Price
<b>Bucket Options</b>			
- Back Drag Bucket	BD	50	Add <b>299</b>
- Heavy Duty Bucket Teeth (set of 2)	BTB-390	50	Add <b>205</b>
- Chain Hooks	CH		Add <b>51</b>
- Grab Fork Hooks (Std Buckets)	GF		Add <b>116</b>
- Grab Fork Hooks (HDHC Buckets)	GF		Add <b>407</b>
<b>Rotational Height Indicator</b>	LAC-25	50	Add <b>53</b>
<b>Full Range Level Indicator</b>	LAC-15	50	Add <b>28</b>
<b>Radiator Grill Guard</b>	RG	45	Add <b>102</b>
<b>3rd Steel Line mtd, w/couplers</b>			
- Steel Line	T	45	Add <b>178</b>
- Steel Line w/hoses to tractor	T2	45	Add <b>285</b>
- Steel Line w/hoses to manifold/tractor*	T3	45	Add <b>341</b>
- Steel Line w/hoses to manifold/valve*	T4	45	Add <b>315</b>

\* Requires a 3-spool manifold - see HYDRAULIC MANIFOLDS

**HYDRAULIC MANIFOLDS**

Description	P/N	PAGE	PRICE
<b>1-SPOOL MANIFOLDS</b> to quick-connect T-line to attachment			
- Standard Manifold		44	<b>INC</b>
- Hydra-Snap™	MA-190	44	<b>176</b>
- Flat Face Hydra-Snap™	MA-384	44	<b>439</b>
<b>2-SPOOL MANIFOLDS</b> to quick-connect loader to tractor			
- Standard Manifold	MA-40	44	<b>INC</b>
- Under Pressure Manifold	MA-80	44	Add <b>86</b>
- Hydra-Snap™ Manifold	MA-280	44	Add <b>213</b>
- Flat Face Hydra-Snap™ Manifold	MA-380	44	Add <b>718</b>
<b>*3-SPOOL MANIFOLDS</b> to quick-connect loader to tractor			
- Standard Manifold	MA-43	44	Add <b>56</b>
- Under Pressure Manifold	MA-83	44	Add <b>139</b>
- Hydra-Snap™ Manifold	MA-283	44	Add <b>340</b>
- Flat Face Hydra-Snap™ Manifold	MA-383	44	Add <b>1,143</b>
<b>Level UP Advantage (Reg. \$906)</b>	LV-UP	45	Add <b>493</b>
<b>Comfort Ride</b>	CRS-750	45	Add <b>874</b>

**JOYSTICKS & HYDRAULIC PACKAGES**

See TA-29 loader on page 23 for package pricing.

**BUCKET UPGRADES**

BUCKETS	P/N	PAGE	PRICE
84" Bucket	84Q216	48	<b>INC</b>
84" Large Capacity Bucket	84Q225	48	Add <b>101</b>
90" Large Capacity Bucket	90Q225	48	Add <b>166</b>
96" Large Capacity Bucket	96Q229	48	Add <b>235</b>

**SKID STEER COMPATIBLE BUCKETS & ADAPTERS**

Adapter - adapts to skid steer attachment	C-30	46	Add	<b>78</b>
84" Skid Steer Bucket	84QS16	48	Add	<b>90</b>
84" Lg. Cap. Skid Steer Bucket	84QS25	48	Add	<b>190</b>
90" Lg. Cap. Skid Steer Bucket	90QS25	48	Add	<b>257</b>
96" Lg. Cap. Skid Steer Bucket	96QS29	48	Add	<b>325</b>

**HDHC= HEAVY DUTY HIGH CAPACITY BUCKETS**

84" HDHC Double Weld-On Blade	84Q231W	48	Add	<b>469</b>
84" HDHC Bolt-On Blade	84Q231B	48	Add	<b>634</b>

**SPECIALTY BUCKETS**

High Vol. Low Density Bucket	96Q254	48	Add	<b>563</b>
Z-47 Feeder Bucket	Z-47	48	Add	<b>3,760</b>
Fork Bucket	FB-42	51		<b>1,075</b>
Tine Bucket	TB-38	51		<b>1,441</b>

**ATTACHMENTS**

HAY HANDLING	P/N	PAGE	PRICE
2-Prong Bale Spear	SP-42	59	<b>855</b>
3-Prong Bale Spear	SP-43	59	<b>806</b>
4-Prong Bale Spear	SP-74	59	<b>1,554</b>
Stack Saver I	SS-I	59	<b>987</b>
Stack Saver II - 3	SS-II-3	59	<b>1,145</b>
Bale Handler	BH-15	58	<b>4,536</b>
Bale Grab	BG-34	58	<b>1,347</b>
Squeezer™	SQ-80	58	<b>2,028</b>

MATERIAL HANDLING	P/N	PAGE	PRICE
72" Bucket Teeth	QT-72	50	<b>670</b>
84" Bucket Teeth 84" & 96" BUCKETS	BT-84	50	<b>789</b>
Rake Teeth	RK-40	50	<b>240</b>
42" Fork Lift	FL-42	60	<b>1,408</b>
48" Fork Lift	FL-48	60	<b>1,498</b>
Extendable Boom	EB-34	60	<b>1,016</b>
Brush Crusher™	BC-5000	54	<b>1,649</b>
Brush Crusher™	BC-6000	55	<b>2,565</b>
Brush Crusher 72" w/finishing teeth	BC-8800	55	<b>5,061</b>
Sabretooth	GF-32	51	<b>778</b>
Jiffy Monster Grab Fork	GF-20	57	<b>1,491</b>
Monster Grab Fork**	GF-28	57	<b>2,237</b>
Quick Mount Claw**	GF-64	57	<b>2,299</b>
84" Cat Claw 3-D Grab Fork*	GF-184-3D	56	<b>3,376</b>
84" Cat Claw 3-D Grab Fork**	GF-84-3D	56	<b>2,705</b>
96" Cat Claw 3-D Grab Fork**	GF-96-3D	56	<b>3,045</b>

ADDITIONAL ATTACHMENTS	P/N	PAGE	PRICE
96" V-Plow	VP-96	60	<b>1,624</b>
84" Dozer Blade	DB-84	61	<b>1,207</b>
96" Dozer Blade	DB-96	61	<b>1,340</b>
- Top Extension for Dozer Blade	DB-TC	61	Add <b>504</b>
96" Snow Scraper	SBB-8	61	<b>2,599</b>
96" Snow Scraper w/Poly Blade	SBB-8-P	61	<b>3,285</b>
120" Snow Scraper	SBB-10	61	<b>2,898</b>
120" Snow Scraper w/Poly Blade	SBB-10-P	61	<b>3,783</b>
- Top Extension for Snow Scraper	SBB-TC	61	Add <b>504</b>
Dual Changer Max for bucket	DC-1	51	<b>504</b>

ADAPTER OPTIONS	P/N	PAGE	PRICE
Skid-Steer Adapters - In Lieu of C-2/C-3	C-19	46	Add <b>131</b>
Skid-Steer Adapters - Extra Set (2)	C-19	46	<b>250</b>
Snap-Attach Adapters - Set (2)	C-2/C-3	46	<b>119</b>
Snap-Attach Synchronizer	QCS-200	46	<b>74</b>

\* Fits Freedom Mount, HDHC and HD Custom Contour Buckets  
\*\* Requires Large Capacity STANDARD Bucket

The best of both worlds

You can do almost anything you want with this loader. Whatever you can break out at the bottom, you can lift all the way to the top. The heavy-duty 3" lift cylinders allow the loader to lift a 5000 pound payload from the ground to over 13 feet in one fluid motion. This amazing loader has true mechanical self-leveling BOTH up and down, yet an amazingly low-profile fit for increased visibility.

**TA-29**  
BASE PACKAGE ..... **\$9,845**

Footnotes found in Bracket Chart

**TA-29 Base package:**

- 3" Bucket Cylinders
- 3" Lift Cylinders
- Hydraulic Power-Mount™
- Snap-Attach™
- Mechanical Self-Leveling
- Standard Bracket Set
- Hose Kit
- MA-40 Hydraulic Manifold
- Bucket Gauge Rod
- 84" Bucket (84Q216)

LIFT CAPACITY	2500 psi   3000 psi
31.5" from Pin	5000   6000
At Pivot Pin	7325   8790
LIFT HEIGHT	13' 2"   158"
PKG WEIGHT	2160#
COLOR*	Stone Black

\*Custom Paint Colors Available. Call for Pricing.

**FACTORY INSTALLED UPGRADES**

Description	P/N	PAGE	Price
<b>Mechanical Self-Leveling Low Profile</b>			<b>INC</b>
<b>Bucket Options</b>			
- Back Drag Bucket	BD	50	Add <b>299</b>
- Heavy Duty Bucket Teeth (set of 2)	BTB-390	50	Add <b>205</b>
- Chain Hooks	CH		Add <b>51</b>
- Grab Fork Hooks (Std Buckets)	GF		Add <b>116</b>
- Grab Fork Hooks (HDHC Buckets)	GF		Add <b>407</b>
<b>Rotational Height Indicator</b>	LAC-25	50	Add <b>53</b>
<b>Full Range Level Indicator</b>	LAC-15	50	Add <b>28</b>
<b>Radiator Grill Guard</b>	RG	45	Add <b>102</b>
<b>3rd Steel Line mtd, w/couplers</b>			
- Steel Line	T	45	Add <b>178</b>
- Steel Line w/hoses to tractor	T2	45	Add <b>285</b>
- Steel Line w/hoses to manifold/tractor*	T3	45	Add <b>341</b>
- Steel Line w/hoses to manifold/valve*	T4	45	Add <b>315</b>

\* Requires a 3-spool manifold - see HYDRAULIC MANIFOLDS

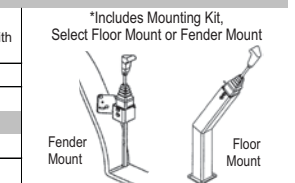
**HYDRAULIC MANIFOLDS**

Description	P/N	PAGE	PRICE
<b>1-SPOOL MANIFOLDS</b> to quick-connect T-line to attachment			
- Standard Manifold		44	<b>INC</b>
- Hydra-Snap™	MA-190	44	<b>176</b>
- Flat Face Hydra-Snap™	MA-384	44	<b>439</b>
<b>2-SPOOL MANIFOLDS</b> to quick-connect loader to tractor			
- Standard Manifold	MA-40	44	<b>INC</b>
- Under Pressure Manifold	MA-80	44	Add <b>86</b>
- Hydra-Snap™ Manifold	MA-280	44	Add <b>213</b>
- Flat Face Hydra-Snap™ Manifold	MA-380	44	Add <b>718</b>
<b>*3-SPOOL MANIFOLDS</b> to quick-connect loader to tractor			
- Standard Manifold	MA-43	44	Add <b>56</b>
- Under Pressure Manifold	MA-83	44	Add <b>139</b>
- Hydra-Snap™ Manifold	MA-283	44	Add <b>340</b>
- Flat Face Hydra-Snap™ Manifold	MA-383	44	Add <b>1,143</b>
<b>Comfort Ride</b>	CRS-750	45	Add <b>874</b>

**JOYSTICKS & HYDRAULIC PACKAGES - p. 52**

**OC/CC - OPEN CENTER / CLOSED CENTER HYDRAULIC SYSTEMS**

	1	2	3	4	5	6
Spool	Valve w/Handles and Mounting Kit	Valve w/Direct Joystick & Mtg. Kit	Valve with Remote Cable Joystick*	Precision Valve and Remote Joystick*	Precision Valve w/Level-UP* Pre-Assembled-Ready to Use	All Electronic Valve with Electronic Joystick*
<b>A</b>	2 OC/CC	<b>718</b>	<b>825</b>	<b>1,292</b>	<b>1,382</b>	<b>1,658</b>
<b>B</b>	3 OC/CC	<b>864</b>	<b>967</b>	<b>1,721</b>	<b>1,924</b>	<b>2,201</b>
<b>PFC - PRESSURE FLOW HYDRAULIC SYSTEMS</b>						
<b>C</b>	2 PFC	N/A	N/A	N/A	<b>2,272</b>	<b>2,551</b>
<b>D</b>	3 PFC	N/A	N/A	N/A	<b>2,631</b>	<b>2,905</b>



**BUCKET UPGRADES**

BUCKETS	P/N	PAGE	PRICE
84" Bucket	84Q216	48	<b>INC</b>
84" Large Capacity Bucket	84Q225	48	Add <b>101</b>
90" Large Capacity Bucket	90Q225	48	Add <b>166</b>
96" Large Capacity Bucket	96Q229	48	Add <b>235</b>

**SKID STEER COMPATIBLE BUCKETS & ADAPTERS**

Adapter - adapts to skid steer attachment	C-30	46	Add	<b>78</b>
84" Skid Steer Bucket	84QS16	48	Add	<b>90</b>
84" Lg. Cap. Skid Steer Bucket	84QS25	48	Add	<b>190</b>
90" Lg. Cap. Skid Steer Bucket	90QS25	48	Add	<b>257</b>
96" Lg. Cap. Skid Steer Bucket	96QS29	48	Add	<b>325</b>

**HDHC= HEAVY DUTY HIGH CAPACITY BUCKETS**

84" HDHC Double Weld-On Blade	84Q231W	48	Add	<b>469</b>
84" HDHC Bolt-On Blade	84Q231B	48	Add	<b>634</b>
96" HDHC Double Weld-On Blade	96Q235W	48	Add	<b>670</b>
96" HDHC Bolt-On Blade	96Q235B	48	Add	<b>929</b>

**SPECIALTY BUCKETS**

High Vol. Low Density Bucket	96Q254	48	Add	<b>563</b>
Z-47 Feeder Bucket	Z-47	48	Add	<b>3,760</b>
Feed Bunk Bucket	FBB-112	48	Add	<b>445</b>
Fork Bucket	FB-42	51		<b>1,075</b>
Tine Bucket	TB-38	51		<b>1,441</b>

**ATTACHMENTS**

HAY HANDLING	P/N	PAGE	PRICE
2-Prong Bale Spear	SP-42	59	<b>855</b>
3-Prong Bale Spear	SP-43	59	<b>806</b>
4-Prong Bale Spear	SP-74	59	<b>1,554</b>
Stack Saver I	SS-I	59	<b>987</b>
Stack Saver II - 3	SS-II-3	59	<b>1,145</b>
Bale Handler	BH-15	58	<b>4,536</b>
Bale Grab	BG-34	58	<b>1,347</b>
Squeezer™	SQ-80	58	<b>2,028</b>

MATERIAL HANDLING	P/N	PAGE	PRICE
Brush Crusher	BC-5000	54	<b>1,649</b>
Brush Crusher	BC-6000	55	<b>2,565</b>
Brush Crusher 72" w/finishing teeth	BC-8800	55	<b>5,061</b>
72" Bucket Teeth	QT-72	50	<b>670</b>
84" Bucket Teeth 84" & 96" BUCKETS	BT-84	50	<b>789</b>
Rake Teeth	RK-40	50	<b>240</b>
42" Fork Lift	FL-42	60	<b>1,408</b>
48" Fork Lift	FL-48	60	<b>1,498</b>
Extendable Boom	EB-34	60	<b>1,016</b>
Sabretooth	GF-3		

The TA-45 is up to 160 HP up to 130  
a TA-28 on steroids 2WD 4WD

The TA-45 loader is an upscale TA-28. Introduced to fit the 20 series tractors with a 40 series attachment spacing. It's great for the user who has a WL-42 and upgrades to a 4WD tractor. It's a good feedlot loader with a big lift capacity. Other features include power-linkage, smooth low-profile design and 3" bucket cylinders. It's a great candidate for narrower hooded tractors.

**TA-45**  
BASE PACKAGE ..... **\$9,620**

Footnotes found in Bracket Chart

**TA-45 Base Package:**

- 3" Bucket Cylinders
- 3" Lift Cylinders
- Hydraulic Power-Mount™
- Snap-Attach™
- Standard Bracket Set
- Hose Kit
- MA-40 Hydraulic Manifold
- Bucket Gauge Rod
- 84" Lg Cap Bucket (84Q425)

LIFT CAPACITY	2500 psi	3000 psi
31.5" from Pin	4255	5100
At Pivot Pin	6230	7475
LIFT HEIGHT	13' 4"   160"	
PKG WEIGHT	2173#	
COLOR*	Stone Black	

\*Custom Paint Colors Available. Call for Pricing.

**FACTORY INSTALLED UPGRADES**

Description	P/N	PAGE	Price
<b>Bucket Options</b>			
- Back Drag Bucket	BD	50	Add <b>299</b>
- Heavy Duty Bucket Teeth (set of 2)	BTB-390	50	Add <b>205</b>
- Chain Hooks	CH		Add <b>51</b>
- Grab Fork Hooks (Std Buckets)	GF		Add <b>116</b>
- Grab Fork Hooks (HDHC Buckets)	GF		Add <b>407</b>
Rotational Height Indicator	LAC-25	50	Add <b>53</b>
Full Range Level Indicator	LAC-15	50	Add <b>28</b>
Radiator Grill Guard	RG	45	Add <b>102</b>
<b>3rd Steel Line mtd, w/couplers</b>			
- Steel Line	T	45	Add <b>178</b>
- Steel Line w/hoses to tractor	T2	45	Add <b>285</b>
- Steel Line w/hoses to manifold/tractor*	T3	45	Add <b>341</b>
- Steel Line w/hoses to manifold/valve*	T4	45	Add <b>315</b>

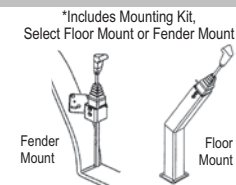
\* Requires a 3-spool manifold - see HYDRAULIC MANIFOLDS

**HYDRAULIC MANIFOLDS**

Description	P/N	PAGE	PRICE
<b>1-SPOOL MANIFOLDS</b> to quick-connect T-line to attachment			
- Standard Manifold		44	<b>INC</b>
- Hydra-Snap™	MA-190	44	<b>176</b>
- Flat Face Hydra-Snap™	MA-384	44	<b>439</b>
<b>2-SPOOL MANIFOLDS</b> to quick-connect loader to tractor			
- Standard Manifold	MA-40	44	<b>INC</b>
- Under Pressure Manifold	MA-80	44	Add <b>86</b>
- Hydra-Snap™ Manifold	MA-280	44	Add <b>213</b>
- Flat Face Hydra-Snap™ Manifold	MA-380	44	Add <b>718</b>
<b>*3-SPOOL MANIFOLDS</b> to quick-connect loader to tractor			
- Standard Manifold	MA-43	44	Add <b>56</b>
- Under Pressure Manifold	MA-83	44	Add <b>139</b>
- Hydra-Snap™ Manifold	MA-283	44	Add <b>340</b>
- Flat Face Hydra-Snap™ Manifold	MA-383	44	Add <b>1,143</b>
Level UP Advantage (Reg. \$906)	LV-UP	45	Add <b>493</b>
Comfort Ride	CRS-750	45	Add <b>874</b>

**JOYSTICKS & HYDRAULIC PACKAGES - p. 52**

OC/CC - OPEN CENTER / CLOSED CENTER HYDRAULIC SYSTEMS						
Spool	1 Valve w/Handles and Mounting Kit	2 Valve w/Direct Joystick & Mtg Kit	3 Valve with Remote Cable Joystick*	4 Precision Valve and Remote Joystick*	5 Precision Valve w/Level-UP* Pre-Assembled-Ready to Use	6 All Electronic Valve with Electronic Joystick*
A	2 OC/CC	718	825	1,292	1,382	1,658
B	3 OC/CC	864	967	1,721	1,924	2,201
PFC - PRESSURE FLOW HYDRAULIC SYSTEMS						
C	2 PFC	N/A	N/A	N/A	2,272	6,566
D	3 PFC	N/A	N/A	N/A	2,631	6,899



**BUCKET UPGRADES**

BUCKETS	P/N	PAGE	PRICE
84" Large Capacity Bucket	84Q425	48	<b>INC</b>
90" Large Capacity Bucket	90Q425	48	Add <b>65</b>
96" Large Capacity Bucket	96Q429	48	Add <b>134</b>
<b>HDHC= HEAVY DUTY HIGH CAPACITY BUCKETS</b>			
84" HDHC Double Weld-On Blade	84Q431W	48	Add <b>368</b>
84" HDHC Bolt-On Blade	84Q431B	48	Add <b>533</b>
96" HDHC Double Weld-On Blade	96Q435W	48	Add <b>569</b>
96" HDHC Bolt-On Blade	96Q435B	48	Add <b>828</b>
<b>SPECIALTY BUCKETS</b>			
High Vol. Low Density Bucket	96Q454	48	Add <b>462</b>
Z-47 Feeder Bucket	Z-47	48	Add <b>3,658</b>
Feed Bunk Bucket	FBB-112	48	Add <b>344</b>
Fork Bucket	FB-42	51	<b>1,075</b>
Tine Bucket	TB-38	51	<b>1,441</b>

**ATTACHMENTS**

HAY HANDLING	P/N	PRICE
2-Prong Bale Spear	SP-42	59 <b>855</b>
3-Prong Bale Spear	SP-43	59 <b>806</b>
4-Prong Bale Spear	SP-74	59 <b>1,554</b>
4-Tine Double Bale Spear	SP-2B	58 <b>1,359</b>
Stack Saver I	SS-I	59 <b>987</b>
Stack Saver II - 3	SS-II-3	59 <b>1,145</b>
Bale Handler	BH-15	58 <b>4,536</b>
Bale Grab	BG-34	58 <b>1,347</b>
Squeezer™	SQ-80	58 <b>2,028</b>

**MATERIAL HANDLING**

P/N	PRICE
Brush Crusher	BC-5000 54 <b>1,649</b>
Brush Crusher	BC-6000 55 <b>2,565</b>
Brush Crusher 72" w/finishing teeth	BC-8800 55 <b>5,061</b>
84" Bucket Teeth 84" & 96" BUCKETS	BT-84 50 <b>789</b>
Rake Teeth	RK-40 50 <b>240</b>
42" Fork Lift	FL-42 60 <b>1,408</b>
48" Fork Lift	FL-48 60 <b>1,498</b>
Extendable Boom	EB-34 60 <b>1,016</b>
Sabretooth	GF-32 51 <b>778</b>
Monster Grab Fork Straight Teeth	GF-51 57 <b>1,964</b>
Monster Grab Fork Curved Teeth	GF-52 57 <b>2,237</b>
Quick Mount Claw Grab Fork	GF-64 57 <b>2,299</b>
84" Cat Claw 3-D Grab Fork*	GF-184-3D 56 <b>3,376</b>
96" Cat Claw 3-D Grab Fork*	GF-196-3D 56 <b>3,716</b>
84" Cat Claw 3-D Grab Fork	GF-84-3D 56 <b>2,705</b>
96" Cat Claw 3-D Grab Fork	GF-96-3D 56 <b>3,045</b>

\* For Freedom Mount, HDHC and HD Custom Contour Buckets

**ADDITIONAL ATTACHMENTS**

P/N	PRICE
96" V-Plow	VP-96 60 <b>1,624</b>
84" Dozer Blade	DB-84 61 <b>1,207</b>
96" Dozer Blade	DB-96 61 <b>1,340</b>
- Top Extension for Dozer Blade	DB-TC 61 Add <b>504</b>
96" Snow Scraper	SBB-8 61 <b>2,599</b>
96" Snow Scraper w/Poly Blade	SBB-8-P 61 <b>3,285</b>
120" Snow Scraper	SBB-10 61 <b>2,898</b>
120" Snow Scraper w/Poly Blade	SBB-10-P 61 <b>3,783</b>
- Top Extension for Snow Scraper	SBB-TC 61 Add <b>504</b>
Dual Changer Max for bucket	DC-1 51 <b>504</b>

**ADAPTER OPTIONS**

P/N	PAGE	PRICE
Snap-Attach Adapters - Set (2)	C-2/C-3	46 <b>119</b>
Snap-Attach Synchronizer	QCS-400	46 <b>85</b>

The TA-26's up to 190 HP up to 165  
big brother 2WD 4WD

The TA-46 is ideal for the heavy-duty cattle producer. It has longer arms to get over the front tires to allow excellent digging depths. It is ideal for bigger tractors with bigger tires. It maintains a low-profile even with the mechanical self-leveling upgrade.

**TA-46**  
BASE PACKAGE ..... **\$10,970**

Footnotes found in Bracket Chart

**TA-46 Base Package:**

- 3" Bucket & Lift Cylinders
- Hydraulic Power-Mount™
- Snap-Attach™
- Standard Bracket Set
- Hose Kit
- MA-40 Manifold
- Bucket Gauge Rod
- 84" Lg Cap Bucket (84Q425)

LIFT CAPACITY	2500 psi	3000 psi
31.5" from Pin	4300	5100
At Pivot Pin	6300	7560
LIFT HEIGHT	13' 10"   166"	
PKG WEIGHT	2511#	
COLOR*	Stone Black	

\*Custom Paint Colors Available. Call for Pricing.

**FACTORY INSTALLED UPGRADES**

Description	P/N	PAGE	Price
Add-on Mech. Self-Leveling (Req \$960)	B	27	Add <b>664</b>
- Adds 20% more lift capacity			
Lift Cylinder Upgrade	E		Add <b>291</b>
<b>Bucket Options</b>			
- Back Drag Bucket	BD	50	Add <b>299</b>
- Heavy Duty Bucket Teeth (set of 2)	BTB-390	50	Add <b>205</b>
- Chain Hooks	CH		Add <b>51</b>
- Grab Fork Hooks (Std Buckets)	GF		Add <b>116</b>
- Grab Fork Hooks (HDHC Buckets)	GF		Add <b>407</b>
Rotational Height Indicator	LAC-25	50	Add <b>53</b>
Full Range Level Indicator	LAC-15	50	Add <b>28</b>
Radiator Grill Guard	RG	45	Add <b>102</b>
<b>3rd Steel Line mtd, w/couplers</b>			
- Steel Line	T	45	Add <b>178</b>
- Steel Line w/hoses to tractor	T2	45	Add <b>285</b>
- Steel Line w/hoses to manifold/tractor*	T3	45	Add <b>341</b>
- Steel Line w/hoses to manifold/valve*	T4	45	Add <b>315</b>

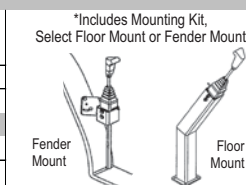
\* Requires a 3-spool manifold - see HYDRAULIC MANIFOLDS

**HYDRAULIC MANIFOLDS**

Description	P/N	PAGE	PRICE
<b>1-SPOOL MANIFOLDS</b> to quick-connect T-line to attachment			
- Standard Manifold		44	<b>INC</b>
- Hydra-Snap™	MA-190	44	<b>176</b>
- Flat Face Hydra-Snap™	MA-384	44	<b>439</b>
<b>2-SPOOL MANIFOLDS</b> to quick-connect loader to tractor			
- Standard Manifold	MA-40	44	<b>INC</b>
- Under Pressure Manifold	MA-80	44	Add <b>86</b>
- Hydra-Snap™ Manifold	MA-280	44	Add <b>213</b>
- Flat Face Hydra-Snap™ Manifold	MA-380	44	Add <b>718</b>
<b>*3-SPOOL MANIFOLDS</b> to quick-connect loader to tractor			
- Standard Manifold	MA-43	44	Add <b>56</b>
- Under Pressure Manifold	MA-83	44	Add <b>139</b>
- Hydra-Snap™ Manifold	MA-283	44	Add <b>340</b>
- Flat Face Hydra-Snap™ Manifold	MA-383	44	Add <b>1,143</b>
Level UP Advantage (Reg. \$906)	LV-UP	45	Add <b>493</b>
Comfort Ride	CRS-750	45	Add <b>874</b>

**JOYSTICKS & HYDRAULIC PACKAGES - p. 52**

OC/CC - OPEN CENTER / CLOSED CENTER HYDRAULIC SYSTEMS						
Spool	1 Valve w/Handles and Mounting Kit	2 Valve w/Direct Joystick & Mtg Kit	3 Valve with Remote Cable Joystick*	4 Precision Valve and Remote Joystick*	5 Precision Valve w/Level-UP* Pre-Assembled-Ready to Use	6 All Electronic Valve with Electronic Joystick*
A	2 OC/CC	718	825	1,292	1,382	1,658
B	3 OC/CC	864	967	1,721	1,924	2,201
PFC - PRESSURE FLOW HYDRAULIC SYSTEMS						
C	2 PFC	N/A	N/A	N/A	2,272	6,566
D	3 PFC	N/A	N/A	N/A	2,631	6,899



**TA-46A** Loader has special tower. Order when called for in the Bracket Chart. Same price as TA-46.

**BUCKET UPGRADES**

BUCKETS	P/N	PAGE	PRICE
84" Large Capacity Bucket	84Q425	48	<b>INC</b>
90" Large Capacity Bucket	90Q425	48	Add <b>65</b>
96" Large Capacity Bucket	96Q429	48	Add <b>134</b>
<b>HDHC= HEAVY DUTY HIGH CAPACITY BUCKETS</b>			
84" HDHC Double Weld-On Blade	84Q431W	48	Add <b>368</b>
84" HDHC Bolt-On Blade	84Q431B	48	Add <b>533</b>
96" HDHC Double Weld-On Blade	96Q435W	48	Add <b>569</b>
96" HDHC Bolt-On Blade	96Q435B	48	Add <b>828</b>

**SPECIALTY BUCKETS**

High Vol. Low Density Bucket	96Q454	48	Add <b>462</b>
Z-47 Feeder Bucket	Z-47	48	Add <b>3,658</b>
Feed Bunk Bucket	FBB-112	48	Add <b>344</b>
Fork Bucket	FB-42	51	<b>1,075</b>
Tine Bucket	TB-38	51	<b>1,441</b>

**ATTACHMENTS**

HAY HANDLING	P/N	PAGE	PRICE
2-Prong Bale Spear	SP-42	59	<b>855</b>
3-Prong Bale Spear	SP-43	59	<b>806</b>
4-Prong Bale Spear	SP-74	59	<b>1,554</b>
4-Tine Double Bale Spear	SP-2B	58	<b>1,359</b>
Stack Saver I	SS-I	59	<b>987</b>
Stack Saver II - 3	SS-II-3	59	<b>1,145</b>
Bale Handler	BH-15	58	<b>4,536</b>
Bale Grab	BG-34	58	<b>1,347</b>
Squeezer™	SQ-80	58	<b>2,028</b>

**MATERIAL HANDLING**

P/N	PAGE	PRICE
Brush Crusher	BC-5000	54 <b>1,649</b>
Brush Crusher	BC-6000	55 <b>2,565</b>
Brush Crusher 72" w/finishing teeth	BC-8800	55 <b>5,061</b>
84" Bucket Teeth 84" & 96" BUCKETS	BT-84	50 <b>789</b>
Rake Teeth	RK-40	50 <b>240</b>
42" Fork Lift	FL-42	60 <b>1,408</b>
48" Fork Lift	FL-48	60 <b>1,498</b>
Extendable Boom	EB-34	60 <b>1,016</b>
Sabretooth	GF-32	51 <b>778</b>
Monster Grab Fork Straight Teeth	GF-51	57 <b>1,964</b>
Monster Grab Fork Curved Teeth	GF-52	57 <b>2,237</b>
Quick Mount Claw Grab Fork	GF-64	57 <b>2,299</b>
84" Cat Claw 3-D Grab Fork*	GF-184-3D	56 <b>3,376</b>
96" Cat Claw 3-D Grab Fork*	GF-196-3D	56 <b>3,716</b>
84" Cat Claw 3-D Grab Fork	GF-84-3D	56 <b>2,705</b>
96" Cat Claw 3-D Grab Fork	GF-96-3D	56 <b>3,045</b>

\* For Freedom Mount, HDHC and HD Custom Contour Buckets

**ADDITIONAL ATTACHMENTS**

P/N	PAGE	PRICE
96" V-Plow	VP-96	60 <b>1,624</b>
84" Dozer Blade	DB-84	61 <b>1,207</b>
96" Dozer Blade	DB-96	61 <b>1,340</b>
- Top Extension for Dozer		



# TA SERIES LOADERS

The ultimate self-leveling loader up to 160 **HP** up to 130  
2WD 4WD

Whether you're hauling loose materials like silage or bulky materials like seed pallets, we have a self-leveling loader that is versatile enough to accommodate the different materials you haul throughout the year. The TA-48 has two different settings on the mechanical self-leveling linkage which allows you to have "true" self-leveling or "no-spill" self-leveling. IT'S THE ONLY LOADER IN THE INDUSTRY TO OFFER THIS VERSATILITY.

## TA-48

### BASE PACKAGE.....

# \$12,135

Footnotes found in Bracket Chart

#### TA-48 Base package:

- 3" Bucket & Lift Cylinders
- Hydraulic Power-Mount™
- Snap-Attach™
- Mechanical Self-Leveling
- Standard Bracket Set
- Hose Kit
- MA-40 Hydraulic Manifold
- Bucket Gauge Rod
- 84" Lg Cap Bucket (84Q425)

LIFT CAPACITY	2500 psi   3000 psi
31.5" from Pin	4800   5760
At Pivot Pin	7030   8430
LIFT HEIGHT	14' 6"   174"
PKG WEIGHT	2695#
COLOR*	Stone Black

\*Custom Paint Colors Available. Call for Pricing.

#### FACTORY INSTALLED UPGRADES

Description	P/N	PAGE	Price
<b>Bucket Options</b>			
- Back Drag Bucket	BD	50	Add <b>299</b>
- Heavy Duty Bucket Teeth (set of 2)	BTB-390	50	Add <b>205</b>
- Chain Hooks	CH		Add <b>51</b>
- Grab Fork Hooks (Std Buckets)	GF		Add <b>116</b>
- Grab Fork Hooks (HDHC Buckets)	GF		Add <b>407</b>
<b>Rotational Height Indicator</b>	LAC-25	50	Add <b>53</b>
<b>Full Range Level Indicator</b>	LAC-15	50	Add <b>28</b>
<b>Radiator Grill Guard</b>	RG	45	Add <b>102</b>
<b>3rd Steel Line mtd, w/couplers</b>			
- Steel Line	T	45	Add <b>178</b>
- Steel Line w/hoses to tractor	T2	45	Add <b>285</b>
- Steel Line w/hoses to manifold/tractor*	T3	45	Add <b>341</b>
- Steel Line w/hoses to manifold/valve*	T4	45	Add <b>315</b>

\* Requires a 3-spool manifold - see HYDRAULIC MANIFOLDS

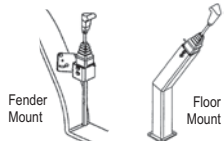
#### HYDRAULIC MANIFOLDS

Description	P/N	PAGE	PRICE
<b>1-SPOOL MANIFOLDS</b> to quick-connect T-line to attachment			
- Standard Manifold		44	<b>INC</b>
- Hydra-Snap™	MA-190	44	<b>176</b>
- Flat Face Hydra-Snap™	MA-384	44	<b>439</b>
<b>2-SPOOL MANIFOLDS</b> to quick-connect loader to tractor			
- Standard Manifold	MA-40	44	<b>INC</b>
- Under Pressure Manifold	MA-80	44	Add <b>86</b>
- Hydra-Snap™ Manifold	MA-280	44	Add <b>213</b>
- Flat Face Hydra-Snap™ Manifold	MA-380	44	Add <b>718</b>
<b>*3-SPOOL MANIFOLDS</b> to quick-connect loader to tractor			
- Standard Manifold	MA-43	44	Add <b>56</b>
- Under Pressure Manifold	MA-83	44	Add <b>139</b>
- Hydra-Snap™ Manifold	MA-283	44	Add <b>340</b>
- Flat Face Hydra-Snap™ Manifold	MA-383	44	Add <b>1,143</b>
<b>Comfort Ride</b>	CRS-750	45	Add <b>874</b>

#### JOYSTICKS & HYDRAULIC PACKAGES - p. 52

OC/CC - OPEN CENTER / CLOSED CENTER HYDRAULIC SYSTEMS						
Spool	1 Valve w/Handles and Mounting Kit	2 Valve with Direct Joystick & Mtg.Kit	3 Valve with Remote Cable Joystick*	4 Precision Valve and Remote Joystick*	5 Precision Valve w/Level-UP* Pre-Assembled-Ready to Use	6 All Electronic Valve with Electronic Joystick*
<b>A</b> 2 OC/CC	<b>718</b>	<b>825</b>	<b>1,292</b>	<b>1,382</b>	<b>1,658</b>	N/A
<b>B</b> 3 OC/CC	<b>864</b>	<b>967</b>	<b>1,721</b>	<b>1,924</b>	<b>2,201</b>	N/A
PFC - PRESSURE FLOW HYDRAULIC SYSTEMS						
<b>C</b> 2 PFC	N/A	N/A	N/A	<b>2,272</b>	<b>2,551</b>	<b>6,566</b>
<b>D</b> 3 PFC	N/A	N/A	N/A	<b>2,631</b>	<b>2,905</b>	<b>6,899</b>

\*Includes Mounting Kit, Select Floor Mount or Fender Mount



#### BUCKET UPGRADES

BUCKETS	P/N	PAGE	PRICE
84" Large Capacity Bucket	84Q425	48	<b>INC</b>
90" Large Capacity Bucket	90Q425	48	Add <b>65</b>
96" Large Capacity Bucket	96Q429	48	Add <b>134</b>
<b>HDHC= HEAVY DUTY HIGH CAPACITY BUCKETS</b>			
84" HDHC Double Weld-On Blade	84Q431W	48	Add <b>368</b>
84" HDHC Bolt-On Blade	84Q431B	48	Add <b>533</b>
96" HDHC Double Weld-On Blade	96Q435W	48	Add <b>569</b>
96" HDHC Bolt-On Blade	96Q435B	48	Add <b>828</b>
<b>SPECIALTY BUCKETS</b>			
High Vol. Low Density Bucket	96Q454	48	Add <b>462</b>
Z-47 Feeder Bucket	Z-47	51	Add <b>3,658</b>
Feed Bunk Bucket	FBB-112	51	Add <b>344</b>
Fork Bucket	FB-42	51	<b>1,075</b>
Tine Bucket	TB-38	51	<b>1,441</b>

#### ATTACHMENTS

HAY HANDLING	P/N	PAGE	PRICE
2-Prong Bale Spear	SP-42	58	<b>855</b>
3-Prong Bale Spear	SP-43	59	<b>806</b>
4-Prong Bale Spear	SP-74	59	<b>1,554</b>
4-Tine Double Bale Spear	SP-2B	58	<b>1,359</b>
Stack Saver I	SS-I	58	<b>987</b>
Stack Saver II - 3	SS-II-3	58	<b>1,145</b>
Bale Handler	BH-15	58	<b>4,536</b>
Bale Grab	BG-34	58	<b>1,347</b>
Squeezer™	SQ-80	54	<b>2,028</b>

#### MATERIAL HANDLING

	P/N	PAGE	PRICE
Brush Crusher	BC-5000	50	<b>1,649</b>
Brush Crusher	BC-6000	50	<b>2,565</b>
Brush Crusher 72" w/finishing teeth	BC-8800	60	<b>5,061</b>
84" Bucket Teeth 84" & 96" BUCKETS	BT-84	60	<b>789</b>
Rake Teeth	RK-40	60	<b>240</b>
42" Fork Lift	FL-42	51	<b>1,408</b>
48" Fork Lift	FL-48	57	<b>1,498</b>
Extendable Boom	EB-34	57	<b>1,016</b>
Sabretooth	GF-32	57	<b>778</b>
Monster Grab Fork Straight Teeth	GF-51	56	<b>1,964</b>
Monster Grab Fork Curved Teeth	GF-52	56	<b>2,237</b>
Quick Mount Claw Grab Fork	GF-64		<b>2,299</b>
84" Cat Claw 3-D Grab Fork*	GF-184-3D	56	<b>3,376</b>
96" Cat Claw 3-D Grab Fork*	GF-196-3D	56	<b>3,716</b>
84" Cat Claw 3-D Grab Fork	GF-84-3D	60	<b>2,705</b>
96" Cat Claw 3-D Grab Fork	GF-96-3D	61	<b>3,045</b>

\* For Freedom Mount, HDHC and HD Custom Contour Buckets

#### ADDITIONAL ATTACHMENTS

	P/N	PAGE	PRICE
96" V-Plow	VP-96	61	<b>1,624</b>
84" Dozer Blade	DB-84	61	<b>1,207</b>
96" Dozer Blade	DB-96	61	<b>1,340</b>
- Top Extension for Dozer Blade	DB-*TC	61	Add <b>504</b>
96" Snow Scraper	SBB-8	51	<b>2,599</b>
96" Snow Scraper w/Poly Blade	SBB-8-P	61	<b>3,285</b>
120" Snow Scraper	SBB-10	61	<b>2,898</b>
120" Snow Scraper w/Poly Blade	SBB-10-P	46	<b>3,783</b>
- Top Extension for Snow Scraper	SBB-*TC	46	Add <b>504</b>
Dual Changer Max for bucket	DC-1	51	<b>504</b>

#### ADAPTER OPTIONS

	P/N	PAGE	PRICE
Snap-Attach Adapters - Set (2)	C-2/C-3	46	<b>119</b>
Snap-Attach Synchronizer	QCS-400	46	<b>85</b>

#### HIGH LIFT LOADERS

Westendorf manufactures loaders with the highest lift height in the industry. Not only do these loaders provide the height you need, they are also equipped with larger lift cylinders for more power at greater heights.

These loaders are ideal for commercial hay operations, dairy farms, and feedlots who need the extra lift height in their daily operations.



LOADERS WITH OVER **17** ft. OF LIFT HEIGHT

#### ADD-ON MECHANICAL SELF-LEVELING

It's the ideal solution for repetitive work such as stacking pallets, loading/unloading equipment or stacking hay. The add-on mechanical self-leveling kit is a valuable addition to the loader package.

Westendorf is the only loader manufacturer to offer the add-on mechanical self-leveling kit, allowing you to conveniently upgrade at a later date or add it during specific seasons to handle hay or pallets.

- Low Profile channel design promotes good visibility and **ELIMINATES** tunnel vision
- Mechanical advantage keeps bucket level on the way up and down
- Increases loader capacity by 20%
- Easy to Install Kit
- Available for TA-26, TA-26 Plus and TA-46 Loaders

## ADDS 20% MORE LIFT CAPACITY



Part Number: B





A hay loader - no doubt about it up to 240 2WD **HP** up to 225 4WD

The TA-76 is the ultimate loader for feeders and hay users. With a 15'2" lift height, this loader is built to last with double torsion tubes, 3" lift cylinder and big, 96" bucket. The TA-76 is a power loader built for a heavy-duty user; you can really dig, not just lift high with it. It has a wider frame for 70 series attachments.

**TA-76**  
BASE PACKAGE ..... **\$12,595**

Footnotes found in Bracket Chart

**TA-76 Base package:**

- 3" Bucket Cylinders
- 3" Lift Cylinders
- Hydraulic Power-Mount™
- Snap-Attach™
- Standard Bracket Set
- Hose Kit
- MA-40 Hydraulic Manifold
- Bucket Gauge Rod
- 96" Large Capacity Bucket (96Q729)

LIFT CAPACITY	2500 psi	3000 psi
31.5" from Pin	4255	5100
At Pivot Pin	6230	7475
LIFT HEIGHT	15' 2"   180"	
PKG WEIGHT	2645#	
COLOR*	Stone Black	

\*Custom Paint Colors Available. Call for Pricing.

**FACTORY INSTALLED UPGRADES**

Description	P/N	PAGE	Price
Lift Cylinder Upgrade	E	Add	<b>291</b>
<b>Bucket Options</b>			
- Back Drag Bucket	BD	50	Add <b>299</b>
- Heavy Duty Bucket Teeth (set of 2)	BTB-390	50	Add <b>205</b>
- Chain Hooks	CH		Add <b>51</b>
- Grab Fork Hooks (Std Buckets)	GF		Add <b>116</b>
- Grab Fork Hooks (HDHC Buckets)	GF		Add <b>407</b>
Rotational Height Indicator	LAC-25	50	Add <b>53</b>
Full Range Level Indicator	LAC-15	50	Add <b>28</b>
Radiator Grill Guard	RG	45	Add <b>102</b>
<b>3rd Steel Line mtd, w/couplers</b>			
- Steel Line	T	45	Add <b>178</b>
- Steel Line w/hoses to tractor	T2	45	Add <b>285</b>
- Steel Line w/hoses to manifold/tractor*	T3	45	Add <b>341</b>
- Steel Line w/hoses to manifold/valve*	T4	45	Add <b>315</b>

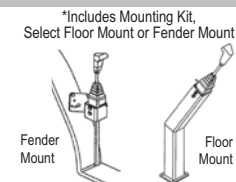
\* Requires a 3-spool manifold - see HYDRAULIC MANIFOLDS

**HYDRAULIC MANIFOLDS**

Description	P/N	PAGE	PRICE
<b>1-SPOOL MANIFOLDS</b> to quick-connect T-line to attachment			
- Standard Manifold		44	<b>INC</b>
- Hydra-Snap™	MA-190	44	<b>176</b>
- Flat Face Hydra-Snap™	MA-384	44	<b>439</b>
<b>2-SPOOL MANIFOLDS</b> to quick-connect loader to tractor			
- Standard Manifold	MA-40	44	<b>INC</b>
- Under Pressure Manifold	MA-80	44	Add <b>86</b>
- Hydra-Snap™ Manifold	MA-280	44	Add <b>213</b>
- Flat Face Hydra-Snap™ Manifold	MA-380	44	Add <b>718</b>
<b>*3-SPOOL MANIFOLDS</b> to quick-connect loader to tractor			
- Standard Manifold	MA-43	44	Add <b>56</b>
- Under Pressure Manifold	MA-83	44	Add <b>139</b>
- Hydra-Snap™ Manifold	MA-283	44	Add <b>340</b>
- Flat Face Hydra-Snap™ Manifold	MA-383	44	Add <b>1,143</b>
Level UP Advantage (Reg. \$906)	LV-UP	45	Add <b>493</b>
Comfort Ride	CRS-750	45	Add <b>874</b>

**JOYSTICKS & HYDRAULIC PACKAGES - p. 52**

OC/CC - OPEN CENTER / CLOSED CENTER HYDRAULIC SYSTEMS						
Spool	1 Valve w/Handles and Mounting Kit	2 Valve w/Direct Joystick & Mtg.Kit	3 Valve with Remote Cable Joystick*	4 Precision Valve and Remote Joystick*	5 Precision Valve w/Level-UP* Pre-Assembled-Ready to Use	6 All Electronic Valve with Electronic Joystick*
<b>A</b>	2 OC/CC	<b>718</b>	<b>825</b>	<b>1,292</b>	<b>1,382</b>	N/A
<b>B</b>	3 OC/CC	<b>864</b>	<b>967</b>	<b>1,721</b>	<b>1,924</b>	N/A
PFC - PRESSURE FLOW HYDRAULIC SYSTEMS						
<b>C</b>	2 PFC	N/A	N/A	N/A	<b>2,272</b>	<b>6,566</b>
<b>D</b>	3 PFC	N/A	N/A	N/A	<b>2,631</b>	<b>6,899</b>



**BUCKET UPGRADES**

BUCKETS	P/N	PAGE	PRICE
96" Large Capacity Bucket	96Q729	48	<b>INC</b>
108" Large Capacity Bucket	108Q733	48	Add <b>176</b>
<b>HDHC= HEAVY DUTY HIGH CAPACITY BUCKETS</b>			
84" HDHC Double Weld-On Blade	84Q731W	48	Add <b>234</b>
84" HDHC Bolt-On Blade	84Q731B	48	Add <b>399</b>
96" HDHC Double Weld-On Blade	96Q735W	48	Add <b>435</b>
96" HDHC Bolt-On Blade	96Q735B	48	Add <b>694</b>
<b>SPECIALTY BUCKETS</b>			
Z-47 Feeder Bucket	Z-47	48	Add <b>3,525</b>
Feed Bunk Bucket	FBB-112	48	Add <b>210</b>
Fork Bucket	FB-42/C-2	51	<b>1,075</b>
Tine Bucket	TB-38	51	<b>1,441</b>

**ATTACHMENTS**

HAY HANDLING	P/N	PAGE	PRICE
2-Prong Bale Spear	SP-72	59	<b>937</b>
3-Prong Bale Spear	SP-76	59	<b>891</b>
4-Prong Bale Spear	SP-74	59	<b>1,554</b>
4-Tine Double Bale Spear	SP-2B	58	<b>1,359</b>
Stack Saver I	SS-I	59	<b>987</b>
Stack Saver II - 3	SS-II-3	59	<b>1,145</b>
Bale Handler	BH-15	58	<b>4,536</b>
Bale Grab	BG-34	58	<b>1,347</b>
Squeezer™	SQ-80	58	<b>2,028</b>

Requires P-7 Extension Plate - See page 43.

**MATERIAL HANDLING**

P/N	PAGE	PRICE	
Brush Crusher	BC-5000	54	<b>1,649</b>
Brush Crusher	BC-6000	55	<b>2,565</b>
Brush Crusher 72" w/finishing teeth	BC-8800	55	<b>5,061</b>
Bucket Teeth 84" & 96" BUCKETS	BT-84	50	<b>789</b>
Rake Teeth	RK-40	50	<b>240</b>
42" Fork Lift	FL-42	60	<b>1,408</b>
48" Fork Lift	FL-48	60	<b>1,498</b>
Extendable Boom	EB-34	60	<b>1,016</b>
Sabretooth	GF-32	51	<b>778</b>
Monster Grab Fork Straight Teeth	GF-51	57	<b>1,964</b>
Monster Grab Fork Curved Teeth	GF-52	57	<b>2,237</b>
Quick Mount Claw Grab Fork	GF-64	57	<b>2,299</b>
96" Cat Claw 3-D Grab Fork*	GF-196-3D	56	<b>3,716</b>
96" Cat Claw 3-D Grab Fork	GF-96-3D	56	<b>3,045</b>

\* For Freedom Mount, HDHC and HD Custom Contour Buckets

**ADDITIONAL ATTACHMENTS**

P/N	PAGE	PRICE	
96" V-Plow	VP-96/C-2	60	<b>1,624</b>
96" Dozer Blade	DB-96	61	<b>1,340</b>
120" Dozer Blade	DB-120	61	<b>2,015</b>
- Top Extension for Dozer Blade	DB-TC	61	Add <b>504</b>
120" Snow Scraper	SBB-10	61	<b>2,898</b>
120" Snow Scraper w/Poly Blade	SBB-10-P	61	<b>3,783</b>
144" Snow Scraper	SBB-12	61	<b>3,315</b>
144" Snow Scraper w/Poly Blade	SBB-12-P	61	<b>4,402</b>
- Top Extension for Snow Scraper	SBB-TC	61	Add <b>504</b>
Dual Changer Max for bucket	DC-1	51	<b>504</b>

**ADAPTER OPTIONS**

P/N	PAGE	PRICE	
Snap-Attach Adapters - Set (2)	C-2/C-3	46	<b>119</b>
Snap-Attach Synchronizer	QCS-700	46	<b>97</b>

Want more lift height? You got it! up to 240 2WD **HP** up to 225 4WD

The TA-77 offers all the benefits of the TA-76 with 2' more lift height. It's the highest in the industry. It comes with bigger lift cylinders for more power at greater heights. It is ideal for commercial hay operations with its great reach and 17'4" lift height.

**TA-77**  
BASE PACKAGE ..... **\$13,265**

Footnotes found in Bracket Chart

**TA-77 Base Package:**

- 3" Bucket Cylinders
- 3-1/2" Lift Cylinders
- Hydraulic Power-Mount™
- Snap-Attach™
- Standard Bracket Set
- Hose Kit
- MA-40 Hydraulic Manifold
- Bucket Gauge Rod
- 96" Large Capacity Bucket (96Q729)

LIFT CAPACITY	2500 psi	3000 psi
31.5" from Pin	5200	6240
At Pivot Pin	7620	9140
LIFT HEIGHT	17' 4"   208"	
PKG WEIGHT	2695#	
COLOR*	Stone Black	

\*Custom Paint Colors Available. Call for Pricing.

**FACTORY INSTALLED UPGRADES**

Description	P/N	PAGE	Price
<b>Bucket Options</b>			
- Back Drag Bucket	BD	50	Add <b>299</b>
- Heavy Duty Bucket Teeth (set of 2)	BTB-390	50	Add <b>205</b>
- Chain Hooks	CH		Add <b>51</b>
- Grab Fork Hooks (Std Buckets)	GF		Add <b>116</b>
- Grab Fork Hooks (HDHC Buckets)	GF		Add <b>407</b>
Rotational Height Indicator	LAC-25	50	Add <b>53</b>
Full Range Level Indicator	LAC-15	50	Add <b>28</b>
Radiator Grill Guard	RG	45	Add <b>102</b>
<b>3rd Steel Line mtd, w/couplers</b>			
- Steel Line	T	45	Add <b>178</b>
- Steel Line w/hoses to tractor	T2	45	Add <b>285</b>
- Steel Line w/hoses to manifold/tractor*	T3	45	Add <b>341</b>
- Steel Line w/hoses to manifold/valve*	T4	45	Add <b>315</b>

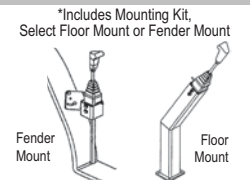
\* Requires a 3-spool manifold - see HYDRAULIC MANIFOLDS

**HYDRAULIC MANIFOLDS**

Description	P/N	PAGE	PRICE
<b>1-SPOOL MANIFOLDS</b> to quick-connect T-line to attachment			
- Standard Manifold		44	<b>INC</b>
- Hydra-Snap™	MA-190	44	<b>176</b>
- Flat Face Hydra-Snap™	MA-384	44	<b>439</b>
<b>2-SPOOL MANIFOLDS</b> to quick-connect loader to tractor			
- Standard Manifold	MA-40	44	<b>INC</b>
- Under Pressure Manifold	MA-80	44	Add <b>86</b>
- Hydra-Snap™ Manifold	MA-280	44	Add <b>213</b>
- Flat Face Hydra-Snap™ Manifold	MA-380	44	Add <b>718</b>
<b>*3-SPOOL MANIFOLDS</b> to quick-connect loader to tractor			
- Standard Manifold	MA-43	44	Add <b>56</b>
- Under Pressure Manifold	MA-83	44	Add <b>139</b>
- Hydra-Snap™ Manifold	MA-283	44	Add <b>340</b>
- Flat Face Hydra-Snap™ Manifold	MA-383	44	Add <b>1,143</b>
Level UP Advantage (Reg. \$906)	LV-UP	46	Add <b>493</b>
Comfort Ride	CRS-750	45	Add <b>874</b>

**JOYSTICKS & HYDRAULIC PACKAGES - p. 52**

OC/CC - OPEN CENTER / CLOSED CENTER HYDRAULIC SYSTEMS						
Spool	1 Valve w/Handles and Mounting Kit	2 Valve w/Direct Joystick & Mtg.Kit	3 Valve with Remote Cable Joystick*	4 Precision Valve and Remote Joystick*	5 Precision Valve w/Level-UP* Pre-Assembled-Ready to Use	6 All Electronic Valve with Electronic Joystick*
<b>A</b>	2 OC/CC	<b>718</b>	<b>825</b>	<b>1,292</b>	<b>1,382</b>	N/A
<b>B</b>	3 OC/CC	<b>864</b>	<b>967</b>	<b>1,721</b>	<b>1,924</b>	N/A
PFC - PRESSURE FLOW HYDRAULIC SYSTEMS						
<b>C</b>	2 PFC	N/A	N/A	N/A	<b>2,272</b>	<b>6,566</b>
<b>D</b>	3 PFC	N/A	N/A	N/A	<b>2,631</b>	<b>6,899</b>





Modern styling for the modern tractor up to 200 HP up to 175 2WD 4WD

Built for the larger, stronger 2WD and 4WD tractors, the XTA Series gives you the BIG extras you need. It fits most tractor models with fenders, allows great oscillation and it works with narrow rows. It features heavy duty replaceable 2 -1/4" bushings, grease-from-the-end pins and power linkage. Considering the size of this loader, it is the easiest large loader to mount and dismount on the market today.

**XTA-400**  
BASE PACKAGE ..... **\$11,820**

Footnotes found in Bracket Chart

**XTA-400 Base Package:**

- 3" Bucket Cylinders
- 3" Lift Cylinders (3-1/2" Opt.)
- Hydraulic Power-Mount™
- Snap-Attach™
- Standard Bracket Set
- Hose Kit
- Hydra-Snap™ Hydraulic Manifold
- Rotational Level Indicator
- 84" Lg Cap Bucket (84Q425)

LIFT CAPACITY	2500 psi   3000 psi
31.5" from Pin	4500   5400
At Pivot Pin	6590   7900
LIFT HEIGHT	13'   156"
PKG WEIGHT	2690#
COLOR*	Stone Black

\*Custom Paint Colors Available. Call for Pricing.

**FACTORY INSTALLED UPGRADES**

Description	P/N	PAGE	Price
Mechanical Self-Leveling	B	Add	<b>1,092</b>
<i>Adds 20% more lift capacity</i>			
Lift Cylinder Upgrade	E	Add	<b>290</b>
<b>Bucket Options</b>			
- Back Drag Bucket	BD	50	Add <b>299</b>
- Heavy Duty Bucket Teeth (set of 2)	BTB-390	50	Add <b>205</b>
- Chain Hooks	CH		Add <b>51</b>
- Grab Fork Hooks (Std Buckets)	GF		Add <b>116</b>
- Grab Fork Hooks (HDHC Buckets)	GF		Add <b>407</b>
Rotational Height Indicator	LAC-25	50	Add <b>53</b>
Full Range Level Indicator	LAC-15	50	<b>INC</b>
Radiator Grill Guard	RG-400	45	Add <b>517</b>
<b>3rd Steel Line mtd, w/couplers</b>			
- Steel Line	T	45	Add <b>178</b>
- Steel Line w/hoses to tractor	T2	45	Add <b>285</b>
- Steel Line w/hoses to manifold/tractor*	T3	45	Add <b>341</b>
- Steel Line w/hoses to manifold/valve*	T4	45	Add <b>315</b>

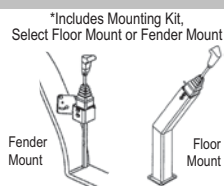
\* Requires a 3-spool manifold - see HYDRAULIC MANIFOLDS

**HYDRAULIC MANIFOLDS**

Description	P/N	PAGE	PRICE
<b>1-SPOOL MANIFOLDS</b> to quick-connect T-line to attachment			
- Standard Manifold		44	<b>INC</b>
- Hydra-Snap™	MA-190	44	<b>176</b>
- Flat Face Hydra-Snap™	MA-384	44	<b>439</b>
<b>2-SPOOL MANIFOLDS</b> to quick-connect loader to tractor			
- Hydra-Snap™ Manifold	MA-280	44	Add <b>INC</b>
- Flat Face Hydra-Snap™ Manifold	MA-380	44	Add <b>504</b>
<b>*3-SPOOL MANIFOLDS</b> to quick-connect loader to tractor			
- Hydra-Snap™ Manifold	MA-283	44	Add <b>126</b>
- Flat Face Hydra-Snap™ Manifold	MA-383	44	Add <b>930</b>
Level UP Advantage (Reg. \$906)	LV-UP	45	Add <b>493</b>
Comfort Ride	CRS-750	45	Add <b>874</b>

**JOYSTICKS & HYDRAULIC PACKAGES - p. 52**

OC/CC - OPEN CENTER / CLOSED CENTER HYDRAULIC SYSTEMS						
Spool	1 Valve w/Handles and Mounting Kit	2 Valve w/Direct Joystick & Mtg. Kit	3 Valve with Remote Cable Joystick*	4 Precision Valve and Remote Joystick*	5 Precision Valve w/Level-UP* Pre-Assembled-Ready to Use	6 All Electronic Valve with Electronic Joystick*
A	2 OC/CC	718	825	1,292	1,382	1,658
B	3 OC/CC	864	967	1,721	1,924	2,201
PFC - PRESSURE FLOW HYDRAULIC SYSTEMS						
C	2 PFC	N/A	N/A	N/A	2,272	2,551
D	3 PFC	N/A	N/A	N/A	2,631	2,905



**BUCKET UPGRADES**

BUCKETS	P/N	PAGE	PRICE
84" Large Capacity Bucket	84Q425	48	<b>INC</b>
90" Large Capacity Bucket	90Q425	48	Add <b>65</b>
96" Large Capacity Bucket	96Q429	48	Add <b>134</b>
<b>HDHC= HEAVY DUTY HIGH CAPACITY BUCKETS</b>			
84" HDHC Double Weld-On Blade	84Q431W	48	Add <b>368</b>
84" HDHC Bolt-On Blade	84Q431B	48	Add <b>533</b>
96" HDHC Double Weld-On Blade	96Q435W	48	Add <b>569</b>
96" HDHC Bolt-On Blade	96Q435B	48	Add <b>828</b>
<b>SPECIALTY BUCKETS</b>			
High Vol. Low Density Bucket	96Q454	48	Add <b>462</b>
Z-47 Feeder Bucket	Z-47	48	Add <b>3,658</b>
Feed Bunk Bucket	FBB-112	48	Add <b>344</b>
Fork Bucket	FB-42	51	<b>1,075</b>
Tine Bucket	TB-38	51	<b>1,441</b>

**ATTACHMENTS**

HAY HANDLING	P/N	PAGE	PRICE
2-Prong Bale Spear	SP-42	59	<b>855</b>
3-Prong Bale Spear	SP-43	59	<b>806</b>
4-Prong Bale Spear	SP-74	59	<b>1,554</b>
4-Tine Double Bale Spear	SP-2B	58	<b>1,359</b>
Stack Saver I	SS-I	59	<b>987</b>
Stack Saver II - 3	SS-II-3	59	<b>1,145</b>
Bale Handler	BH-15	58	<b>4,536</b>
Bale Grab	BG-34	58	<b>1,347</b>
Squeezer™	SQ-80	58	<b>2,028</b>
MATERIAL HANDLING	P/N	PAGE	PRICE
Brush Crusher	BC-5000	54	<b>1,649</b>
Brush Crusher	BC-6000	55	<b>2,565</b>
Brush Crusher 72" w/finishing teeth	BC-8800	55	<b>5,061</b>
Bucket Teeth 84" & 96" BUCKETS	BT-84	50	<b>789</b>
Rake Teeth	RK-40	50	<b>240</b>
42" Fork Lift	FL-42	60	<b>1,408</b>
48" Fork Lift	FL-48	60	<b>1,498</b>
Extendable Boom	EB-34	60	<b>1,016</b>
Sabretooth	GF-32	51	<b>778</b>
Monster Grab Fork Straight Teeth	GF-51	57	<b>1,964</b>
Monster Grab Fork Curved Teeth	GF-52	57	<b>2,237</b>
Quick Mount Claw Grab Fork	GF-64	57	<b>2,299</b>
84" Cat Claw 3-D Grab Fork*	GF-184-3D	56	<b>3,376</b>
96" Cat Claw 3-D Grab Fork*	GF-196-3D	56	<b>3,716</b>
84" Cat Claw 3-D Grab Fork	GF-84-3D	56	<b>2,705</b>
96" Cat Claw 3-D Grab Fork	GF-96-3D	56	<b>3,045</b>

\* For Freedom Mount, HDHC and HD Custom Contour Buckets

ADDITIONAL ATTACHMENTS	P/N	PAGE	PRICE
96" V-Plow	VP-96	60	<b>1,624</b>
84" Dozer Blade	DB-84	61	<b>1,207</b>
96" Dozer Blade	DB-96	61	<b>1,340</b>
- Top Extension for Dozer Blade	DB-TC	61	Add <b>504</b>
96" Snow Scraper	SBB-8	61	<b>2,599</b>
96" Snow Scraper w/Poly Blade	SBB-8-P	61	<b>3,285</b>
120" Snow Scraper	SBB-10	61	<b>2,898</b>
120" Snow Scraper w/Poly Blade	SBB-10-P	61	<b>3,783</b>
- Top Extension for Snow Scraper	SBB-TC	61	Add <b>504</b>
Dual Changer Max for bucket	DC-1	51	<b>504</b>

ADAPTER OPTIONS	P/N	PAGE	PRICE
Snap-Attach Adapters - Set (2)	C-2/C-3	46	<b>119</b>
Snap-Attach Synchronizer	QCS-400	46	<b>85</b>

The "BIG" extras you want up to 250 HP up to 210 2WD 4WD

The XTA-700 is the larger version of the XTA-400. It is also ideal for heavy material handling such as manure, hay and silage. It was designed for taller, bigger and heavy-duty use tractors. It fits most tractors on the narrow 30" rows and many with fenders.

**XTA-700**  
BASE PACKAGE ..... **\$13,265**

Footnotes found in Bracket Chart

**XTA-700 Base Package:**

- 3" Bucket Cylinders
- 3-1/2" Lift Cylinders
- Hydraulic Power-Mount™
- Snap-Attach™
- Standard Bracket Set
- Hose Kit
- Hydra-Snap™ Hydraulic Manifold
- Rotational Level Indicator
- 96" Large Capacity Bucket (96Q729)

LIFT CAPACITY	2500 psi   3000 psi
31.5" from Pin	6200   7440
At Pivot Pin	9080   10900
LIFT HEIGHT	15'   180"
PKG WEIGHT	3300#
COLOR*	Stone Black

\*Custom Paint Colors Available. Call for Pricing.

**FACTORY INSTALLED UPGRADES**

Description	P/N	PAGE	Price
Mechanical Self-Leveling	B	Add	<b>1,192</b>
<i>Adds 20% more lift capacity</i>			
<b>Bucket Options</b>			
- Back Drag Bucket	BD	50	Add <b>299</b>
- Heavy Duty Bucket Teeth (set of 2)	BTB-390	50	Add <b>205</b>
- Chain Hooks	CH		Add <b>51</b>
- Grab Fork Hooks (Std Buckets)	GF		Add <b>116</b>
- Grab Fork Hooks (HDHC Buckets)	GF		Add <b>407</b>
Rotational Height Indicator	LAC-25	50	Add <b>53</b>
Full Range Level Indicator	LAC-15	50	<b>INC</b>
<b>3rd Steel Line mtd, w/couplers</b>			
- Steel Line	T	45	Add <b>178</b>
- Steel Line w/hoses to tractor	T2	45	Add <b>285</b>
- Steel Line w/hoses to manifold/tractor*	T3	45	Add <b>341</b>
- Steel Line w/hoses to manifold/valve*	T4	45	Add <b>315</b>

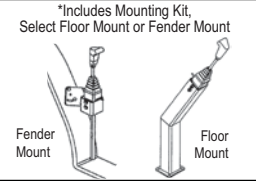
\* Requires a 3-spool manifold - see HYDRAULIC MANIFOLDS

**HYDRAULIC MANIFOLDS**

Description	P/N	PAGE	PRICE
<b>1-SPOOL MANIFOLDS</b> to quick-connect T-line to attachment			
- Standard Manifold		44	<b>INC</b>
- Hydra-Snap™	MA-190	44	<b>176</b>
- Flat Face Hydra-Snap™	MA-384	44	<b>439</b>
<b>2-SPOOL MANIFOLDS</b> to quick-connect loader to tractor			
- Hydra-Snap™ Manifold	MA-280	44	<b>INC</b>
- Flat Face Hydra-Snap™ Manifold	MA-380	44	Add <b>504</b>
<b>*3-SPOOL MANIFOLDS</b> to quick-connect loader to tractor			
- Hydra-Snap™ Manifold	MA-283	44	Add <b>126</b>
- Flat Face Hydra-Snap™ Manifold	MA-383	44	Add <b>930</b>
Level UP Advantage (Reg. \$906)	LV-UP	45	Add <b>493</b>
Comfort Ride	CRS-750	45	Add <b>874</b>

**JOYSTICKS & HYDRAULIC PACKAGES - p. 52**

OC/CC - OPEN CENTER / CLOSED CENTER HYDRAULIC SYSTEMS						
Spool	1 Valve w/Handles and Mounting Kit	2 Valve w/Direct Joystick & Mtg. Kit	3 Valve with Remote Cable Joystick*	4 Precision Valve and Remote Joystick*	5 Precision Valve w/Level-UP* Pre-Assembled-Ready to Use	6 All Electronic Valve with Electronic Joystick*
A	2 OC/CC	718	825	1,292	1,382	1,658
B	3 OC/CC	864	967	1,721	1,924	2,201
PFC - PRESSURE FLOW HYDRAULIC SYSTEMS						
C	2 PFC	N/A	N/A	N/A	2,272	2,551
D	3 PFC	N/A	N/A	N/A	2,631	2,905



Everything you want

This powerful loader with smooth action has a molded, seamless fit which offers great sight lines. Its heavy-duty bucket has a rib-free interior for quick clean out. Hydraulic hoses are hidden and protected from snags and harmful UV deterioration. Its wider frame increases visibility and accommodates side mufflers on today's newer tractors.

**CC-330**  
BASE PACKAGE ..... **\$8,715**

Footnotes found in Bracket Chart

**CC-330 Base Package:**

- 3" Bucket Cylinders
- 3" Lift Cylinders
- Hydraulic Power-Mount™
- Snap-Attach™
- Standard Bracket Set
- Hose Kit
- Hydra-Snap™ Manifold
- Rotational Level Indicator
- Rotational Height Indicator
- 72" HD Contoured Bucket (72Q416)

LIFT CAPACITY	2500 psi   3000 psi
31.5" from Pin	3000   3600
At Pivot Pin	4395   5275
LIFT HEIGHT	10' 9"   129"
PKG WEIGHT	1930#
COLOR*	Electric Ice

\*Custom Paint Colors Available. Call for Pricing.

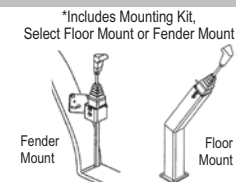
**FACTORY INSTALLED UPGRADES**

Description	P/N	PAGE	Price
<b>Bucket Options</b>			
- Back Drag Bucket	BD	50	Add <b>299</b>
- Heavy Duty Bucket Teeth (set of 2)	BTB-390	50	Add <b>205</b>
Rotational Height Indicator	LAC-25	50	<b>INC</b>
Full Range Level Indicator	LAC-15	50	<b>INC</b>
<b>3rd Steel Line mtd, w/couplers</b>			
- Steel Line	T	45	Add <b>178</b>
- Steel Line w/hoses to tractor	T2	45	Add <b>285</b>
- Steel Line w/hoses to manifold/tractor*	T3	45	Add <b>341</b>
- Steel Line w/hoses to manifold/valve*	T4	45	Add <b>315</b>

\* Requires a 3-spool manifold - see HYDRAULIC MANIFOLDS

**JOYSTICKS & HYDRAULIC PACKAGES - p. 52**

OC/CC - OPEN CENTER / CLOSED CENTER HYDRAULIC SYSTEMS						
Spool	1 Valve w/Handles and Mounting Kit	2 Valve w/Direct Joystick & Mtg.Kit	3 Valve with Remote Cable Joystick*	4 Precision Valve and Remote Joystick*	5 Precision Valve w/Level-UP* Pre-Assembled-Ready to Use	6 All Electronic Valve with Electronic Joystick*
A	2 OC/CC	718	825	1,292	1,382	1,658
B	3 OC/CC	864	967	1,721	1,924	2,201
PFC - PRESSURE FLOW HYDRAULIC SYSTEMS						
C	2 PFC	N/A	N/A	N/A	2,272	2,551
D	3 PFC	N/A	N/A	N/A	2,631	2,905



**HYDRAULIC MANIFOLDS**

Description	P/N	PAGE	PRICE
<b>1-SPOOL MANIFOLDS</b> to quick-connect T-line to attachment			
- Standard Manifold		44	<b>INC</b>
- Hydra-Snap™	MA-190	44	<b>176</b>
- Flat Face Hydra-Snap™	MA-384	44	<b>439</b>
<b>2-SPOOL MANIFOLDS</b> to quick-connect loader to tractor			
- Hydra-Snap™ Manifold	MA-280	44	<b>INC</b>
- Flat Face Hydra-Snap™ Manifold	MA-380	44	Add <b>504</b>
<b>*3-SPOOL MANIFOLDS</b> to quick-connect loader to tractor			
- Hydra-Snap™ Manifold	MA-283	44	Add <b>126</b>
- Flat Face Hydra-Snap™ Manifold	MA-383	44	Add <b>930</b>
Level UP Advantage (Reg. \$906)	LV-UP	45	Add <b>493</b>

**BUCKET UPGRADES**

BUCKETS	P/N	PAGE	PRICE
72" HD Contoured Bucket	72Q416	48	<b>INC</b>
84" HD Contoured Bucket	84Q418	48	Add <b>91</b>

**SKID STEER COMPATIBLE BUCKETS & ADAPTERS**

Adapter - adapts to skid steer attachment	C-50	46	Add <b>78</b>
72" Skid Steer Bucket	72QS16	48	Add <b>88</b>
84" Skid Steer Bucket	84QS18	48	Add <b>177</b>

**SPECIALTY BUCKETS**

Z-47 Feeder Bucket	Z-47	48	Add <b>3,816</b>
Feed Bunk Bucket	FBB-112	48	Add <b>502</b>
Fork Bucket	FB-42	51	<b>1,075</b>
Tine Bucket	TB-38	51	<b>1,441</b>

**ATTACHMENTS**

HAY HANDLING	P/N	PAGE	PRICE
2-Prong Bale Spear	SP-42	59	<b>855</b>
3-Prong Bale Spear	SP-43	59	<b>806</b>
4-Prong Bale Spear	SP-74	59	<b>1,554</b>

Stack Saver I	SS-I	59	<b>987</b>
Stack Saver II - 3	SS-II-3	59	<b>1,145</b>
Bale Handler	BH-15	58	<b>4,536</b>
Bale Grab	BG-34	58	<b>1,347</b>
Squeezer™	SQ-80	58	<b>2,028</b>

MATERIAL HANDLING	P/N	PAGE	PRICE
Brush Crusher	BC-5000	54	<b>1,649</b>
Brush Crusher	BC-6000	55	<b>2,565</b>
Brush Crusher 72" w/finishing teeth	BC-8800	55	<b>5,061</b>
72" Bucket Teeth	QT-72	50	<b>670</b>
84" Bucket Teeth 84" & 96" BUCKETS	BT-84	50	<b>789</b>
Sabretooth	GF-32	51	<b>778</b>
Cat Claw 3-D Grab Fork	GF-184-3D	56	<b>3,376</b>
42" Fork Lift	FL-42	60	<b>1,408</b>
48" Fork Lift	FL-48	60	<b>1,498</b>
Extendable Boom	EB-34	60	<b>1,016</b>

ADDITIONAL ATTACHMENTS	P/N	PAGE	PRICE
96" V-Plow	VP-96	60	<b>1,624</b>
84" Dozer Blade	DB-84	61	<b>1,207</b>
84" Dozer Blade w/Top Extension	DB-84TC	61	<b>1,711</b>
96" Snow Scraper	SBB-8	61	<b>2,599</b>
96" Snow Scraper w/Poly Blade	SBB-8-P	61	<b>3,285</b>
Dual Changer Max for bucket	DC-1	51	<b>504</b>

ADAPTER OPTIONS	P/N	PAGE	PRICE
Snap-Attach Adapters - Set (2)	C-2/C-3	46	<b>119</b>
Snap-Attach Synchronizer	QCS-400	46	<b>85</b>

21<sup>ST</sup> century technology

up to 160 HP up to 120  
2WD 4WD

The CC-340 loader has everything from a sleek, low-profile, patented design to the striking "Electric Ice" color. It has impressive strength and it's what a lot of heavy users are looking for in a loader today. It is standard with the Hydra-Snap™ and mounts & dismounts easily. It fits most 14.9 x 24 tires with fenders and 13.6 x 28 tires without fenders.

**CC-340**  
BASE PACKAGE ..... **\$9,950**

Footnotes found in Bracket Chart

**CC-340 Base Package:**

- 3" Bucket Cylinders
- 3" Lift Cylinders
- Hydraulic Power-Mount™
- Snap-Attach™
- Standard Bracket Set
- Hose Kit
- Hydra-Snap™ Manifold
- Rotational Level Indicator
- Rotational Height Indicator
- 84" HD Contoured Bucket (84Q418)

LIFT CAPACITY	2500 psi   3000 psi
31.5" from Pin	3300   3960
At Pivot Pin	4830   5800
LIFT HEIGHT	11' 4"   136"
PKG WEIGHT	2090#
COLOR*	Electric Ice

\*Custom Paint Colors Available. Call for Pricing.

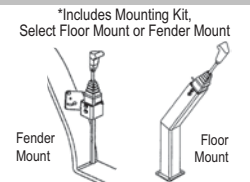
**FACTORY INSTALLED UPGRADES**

Description	P/N	PAGE	Price
<b>Bucket Options</b>			
- Back Drag Bucket	BD	50	Add <b>299</b>
- Heavy Duty Bucket Teeth (set of 2)	BTB-390	50	Add <b>205</b>
Rotational Height Indicator	LAC-25	50	<b>INC</b>
Full Range Level Indicator	LAC-15	50	<b>INC</b>
<b>3rd Steel Line mtd, w/couplers</b>			
- Steel Line	T	45	Add <b>178</b>
- Steel Line w/hoses to tractor	T2	45	Add <b>285</b>
- Steel Line w/hoses to manifold/tractor*	T3	45	Add <b>341</b>
- Steel Line w/hoses to manifold/valve*	T4	45	Add <b>315</b>

\* Requires a 3-spool manifold - see HYDRAULIC MANIFOLDS

**JOYSTICKS & HYDRAULIC PACKAGES - p. 52**

OC/CC - OPEN CENTER / CLOSED CENTER HYDRAULIC SYSTEMS						
Spool	1 Valve w/Handles and Mounting Kit	2 Valve w/Direct Joystick & Mtg.Kit	3 Valve with Remote Cable Joystick*	4 Precision Valve and Remote Joystick*	5 Precision Valve w/Level-UP* Pre-Assembled-Ready to Use	6 All Electronic Valve with Electronic Joystick*
A	2 OC/CC	718	825	1,292	1,382	1,658
B	3 OC/CC	864	967	1,721	1,924	2,201
PFC - PRESSURE FLOW HYDRAULIC SYSTEMS						
C	2 PFC	N/A	N/A	N/A	2,272	2,551
D	3 PFC	N/A	N/A	N/A	2,631	2,905





**More power and lift**

up to 200 **HP** up to 180  
2WD 4WD

The 360 Custom Contour has the same sleek, patented design and fits a whole new class of hard-to-fit tractors being introduced on the market today. It has an added lift height of 14'2". It fits tires up to 14.9 x 30 with fenders and maintains the tractor's turning radius and maneuverability.

**CC-360**  
BASE PACKAGE.....  
**\$11,995**

Footnotes found in Bracket Chart

**CC-360 Base Package:**

- 3-1/2" Bucket Cylinders
- 3" Lift Cylinders
- Hydraulic Power-Mount™
- Snap-Attach™
- Standard Bracket Set
- Hose Kit
- Hydra-Snap™ Manifold
- Rotational Level Indicator
- Rotational Height Indicator
- 84" HD Contoured Bucket (84Q427)

<b>LIFT CAPACITY</b>	2500 psi   3000 psi
31.5" from Pin	3900   4680
At Pivot Pin	5710   6850
<b>LIFT HEIGHT</b>	14' 5"   170"
<b>PKG WEIGHT</b>	2740#
<b>COLOR*</b>	Electric Ice

\*Custom Paint Colors Available. Call for Pricing.

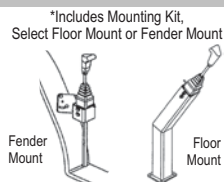
**FACTORY INSTALLED UPGRADES**

Description	P/N	PAGE	Price
Bucket Options			
- Back Drag Bucket	BD	50	Add <b>299</b>
- Heavy Duty Bucket Teeth (set of 2)	BTB-390	50	Add <b>205</b>
Rotational Height Indicator	LAC-25	50	<b>INC</b>
Full Range Level Indicator	LAC-15	50	<b>INC</b>
3rd Steel Line mtd, w/couplers			
- Steel Line	T	45	Add <b>178</b>
- Steel Line w/hoses to tractor	T2	45	Add <b>285</b>
- Steel Line w/hoses to manifold/tractor*	T3	45	Add <b>341</b>
- Steel Line w/hoses to manifold/valve*	T4	45	Add <b>315</b>

\* Requires a 3-spool manifold - see HYDRAULIC MANIFOLDS

**JOYSTICKS & HYDRAULIC PACKAGES - p. 52**

OC/CC - OPEN CENTER / CLOSED CENTER HYDRAULIC SYSTEMS						
Spool	1 Valve w/Handles and Mounting Kit	2 Valve w/Direct Joystick & Mtg.Kit	3 Valve with Remote Cable Joystick*	4 Precision Valve and Remote Joystick*	5 Precision Valve w/Level-UP* Pre-Assembled-Ready to Use	6 All Electronic Valve with Electronic Joystick*
A 2 OC/CC	718	825	1,292	1,382	1,658	N/A
B 3 OC/CC	864	967	1,721	1,924	2,201	N/A
PFC - PRESSURE FLOW HYDRAULIC SYSTEMS						
C 2 PFC	N/A	N/A	N/A	2,272	2,551	6,566
D 3 PFC	N/A	N/A	N/A	2,631	2,905	6,899



**HYDRAULIC MANIFOLDS**

Description	P/N	PAGE	PRICE
<b>1-SPOOL MANIFOLDS</b> to quick-connect T-line to attachment			
- Standard Manifold		44	<b>INC</b>
- Hydra-Snap™	MA-190	44	<b>176</b>
- Flat Face Hydra-Snap™	MA-384	44	<b>439</b>
<b>2-SPOOL MANIFOLDS</b> to quick-connect loader to tractor			
- Hydra-Snap™ Manifold	MA-280	44	<b>INC</b>
- Flat Face Hydra-Snap™ Manifold	MA-380	44	Add <b>504</b>
<b>*3-SPOOL MANIFOLDS</b> to quick-connect loader to tractor			
- Hydra-Snap™ Manifold	MA-283	44	Add <b>126</b>
- Flat Face Hydra-Snap™ Manifold	MA-383	44	Add <b>930</b>
Level UP Advantage (Reg. \$906)	LV-UP	45	Add <b>493</b>
Comfort Ride	CRS-750	45	Add <b>874</b>

**BUCKET UPGRADES**

BUCKETS	P/N	PAGE	PRICE
84" HD Contoured Bucket	84Q427	48	<b>INC</b>
96" HD Contoured Bucket	96Q430	48	Add <b>87</b>
<b>SPECIALTY BUCKETS</b>			
Z-47 Feeder Bucket	Z-47	48	Add <b>3,612</b>
Feed Bunk Bucket	FBB-112	48	Add <b>297</b>
Fork Bucket	FB-42	51	<b>1,075</b>
Tine Bucket	TB-38	51	<b>1,441</b>

**ATTACHMENTS**

HAY HANDLING	P/N	PAGE	PRICE
2-Prong Bale Spear	SP-42	59	<b>855</b>
3-Prong Bale Spear	SP-43	59	<b>806</b>
4-Prong Bale Spear	SP-74	59	<b>1,554</b>
4-Tine Double Bale Spear	SP-2B	58	<b>1,359</b>
Stack Saver I	SS-I	59	<b>987</b>
Stack Saver II - 3	SS-II-3	59	<b>1,145</b>
Bale Handler	BH-15	58	<b>4,536</b>
Bale Grab	BG-34	58	<b>1,347</b>
Squeezer™	SQ-80	58	<b>2,028</b>

**MATERIAL HANDLING**

P/N	PAGE	PRICE	
Brush Crusher	BC-5000	54	<b>1,649</b>
Brush Crusher	BC-6000	55	<b>2,565</b>
Brush Crusher 72" w/finishing teeth	BC-8800	55	<b>5,061</b>
Bucket Teeth 84" & 96" BUCKETS	BT-84	50	<b>789</b>
Sabretooth	GF-32	51	<b>778</b>
84" Cat Claw 3-D Grab Fork	GF-184-3D	56	<b>3,376</b>
96" Cat Claw 3-D Grab Fork	GF-196-3D	56	<b>3,716</b>
42" Fork Lift	FL-42	60	<b>1,408</b>
48" Fork Lift	FL-48	60	<b>1,498</b>
Extendable Boom	EB-34	60	<b>1,016</b>

**ADDITIONAL ATTACHMENTS**

P/N	PAGE	PRICE	
96" V-Plow	VP-96	60	<b>1,624</b>
84" Dozer Blade	DB-84	61	<b>1,207</b>
96" Dozer Blade	DB-96	61	<b>1,340</b>
120" Dozer Blade	DB-120	61	<b>2,015</b>
- Top Extension for Dozer Blade	DB-TC	61	Add <b>504</b>
96" Snow Scraper	SBB-8	61	<b>2,599</b>
96" Snow Scraper w/Poly Blade	SBB-8-P	61	<b>3,285</b>
120" Snow Scraper	SBB-10	61	<b>2,898</b>
120" Snow Scraper w/Poly Blade	SBB-10-P	61	<b>3,783</b>
- Top Extension for Snow Scraper	SBB-TC	61	Add <b>504</b>
Dual Changer Max for bucket	DC-1	51	<b>504</b>

**ADAPTER OPTIONS**

P/N	PAGE	PRICE	
Snap-Attach Adapters - Set (2)	C-2/C-3	46	<b>119</b>
Snap-Attach Synchronizer	QCS-400	46	<b>85</b>

**Self-leveling at its best**

up to 240 **HP** up to 225  
2WD 4WD

The largest loader of this series comes standard with unique low-profile mechanical self-leveling. It has a 15' lift height and can utilize any of the 70 series attachments. The mechanical self-leveling arm is positioned under the loader arm to keep sightlines clear for working.

**CC-370**  
BASE PACKAGE.....  
**\$14,555**

Footnotes found in Bracket Chart

**CC-370 Base package:**

- 3" Bucket Cylinders
- 3-1/2" Lift Cylinders
- Mechanical Self-Leveling
- Hydraulic Power-Mount™
- Snap-Attach™
- Standard Bracket Set
- Hose Kit
- Hydra-Snap™ Manifold
- Rotational Level Indicator
- Rotational Height Indicator
- 96" HD Contour Bucket (96Q730)

<b>LIFT CAPACITY</b>	2500 psi   3000 psi
31.5" from Pin	7000   8400
At Pivot Pin	10,255   12,300
<b>LIFT HEIGHT</b>	15'   180"
<b>PKG WEIGHT</b>	3630#
<b>COLOR*</b>	Electric Ice

\*Custom Paint Colors Available. Call for Pricing.

**FACTORY INSTALLED UPGRADES**

Description	P/N	PAGE	Price
Mechanical Self-Leveling	B		<b>INC</b>
Bucket Options			
- Back Drag Bucket	BD	50	Add <b>299</b>
- Heavy Duty Bucket Teeth (set of 2)	BTB-390	50	Add <b>205</b>
Rotational Height Indicator	LAC-25	50	<b>INC</b>
Full Range Level Indicator	LAC-15	50	<b>INC</b>
3rd Steel Line mtd, w/couplers			
- Steel Line	T	45	Add <b>178</b>
- Steel Line w/hoses to tractor	T2	45	Add <b>285</b>
- Steel Line w/hoses to manifold/tractor*	T3	45	Add <b>341</b>
- Steel Line w/hoses to manifold/valve*	T4	45	Add <b>315</b>

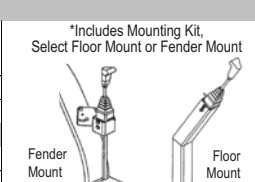
\* Requires a 3-spool manifold - see HYDRAULIC MANIFOLDS

**HYDRAULIC MANIFOLDS**

Description	P/N	PAGE	PRICE
<b>1-SPOOL MANIFOLDS</b> to quick-connect T-line to attachment			
- Standard Manifold		44	<b>INC</b>
- Hydra-Snap™	MA-190	44	<b>176</b>
- Flat Face Hydra-Snap™	MA-384	44	<b>439</b>
<b>2-SPOOL MANIFOLDS</b> to quick-connect loader to tractor			
- Hydra-Snap™ Manifold	MA-280	44	<b>INC</b>
- Flat Face Hydra-Snap™ Manifold	MA-380	44	Add <b>504</b>
<b>*3-SPOOL MANIFOLDS</b> to quick-connect loader to tractor			
- Hydra-Snap™ Manifold	MA-283	44	Add <b>126</b>
- Flat Face Hydra-Snap™ Manifold	MA-383	44	Add <b>930</b>
Level UP Advantage (Reg. \$906)	LV-UP	45	Add <b>493</b>
Comfort Ride	CRS-750	45	Add <b>874</b>

**JOYSTICKS & HYDRAULIC PACKAGES - p. 52**

OC/CC - OPEN CENTER / CLOSED CENTER HYDRAULIC SYSTEMS						
Spool	1 Valve w/Handles and Mounting Kit	2 Valve w/Direct Joystick & Mtg.Kit	3 Valve with Remote Cable Joystick*	4 Precision Valve and Remote Joystick*	5 Precision Valve w/Level-UP* Pre-Assembled-Ready to Use	6 All Electronic Valve with Electronic Joystick*
A 2 OC/CC	718	825	1,292	1,382	1,658	N/A
B 3 OC/CC	864	967	1,721	1,924	2,201	N/A
PFC - PRESSURE FLOW HYDRAULIC SYSTEMS						
C 2 PFC	N/A	N/A	N/A	2,272	2,551	6,566
D 3 PFC	N/A	N/A	N/A	2,631	2,905	6,899





## YOU ASKED...

*I need to fit LARGE FRONT TIRES?*

*I need a loader that FITS? One that sits LOW on the hood, CLOSE to the TRACTOR and LOOKS GREAT Too?*

*I need to FREE the tractor for OTHER TASKS?*

*I need a LOADER that AUTOMATICALLY LOCKS ON?*

*I need to eliminate unexpected DOWNTIME?*



## THIS IS OUR ANSWER... FREEDOM MOUNT™ LOADER SERIES

Inspired by the greater time demands of today's tractors and the modern farmer, Westendorf has revolutionized the way a loader is mounted and dismounted with the new patented Freedom Mount™ system. You are free to complete the task at hand instead of making multiple trips off the tractor, looking for the correct tools and messing with time consuming and dangerous stands. Its lineless hydraulic system eliminates unexpected downtime because there are no hoses to wear out, snag, twist, stretch or snap. It's a great contender for the Super-Steer models and other powerful front-wheel assist tractors with big front tires up to 14.9 X 34.



### FREEDOM MOUNT FEATURES:

- Remote Control Coupler
- Freedom Mount™ - Automatic

- Lock-on with Quick NO Stand Dismount
- Heavy Duty bucket with bolt-on blade
- Rotational Height and Level Indicators
- Flat Face Hydra-Snap™ 1-lever coupling
- Grease-From-The-End-Pins
- Patented Smart-Pac Cylinders and much more.



## QUALITY YOU WILL FEEL...INGENUITY YOU WILL USE

### Box Beam Strength



Box I-Beam Arm Construction. Make sure you have the strength to match the powerful front-wheel assist tractors of today with the wide knee area, extended flange and tapered box style build.

### Fender Friendly - Row Range



Fits large front tires with fenders. Experience the Tire Freedom your tractor was designed with and keep fenders on most models with 30° settings without turning limitations or oscillation stops.

### Visibility Factors



SEE and FEEL the difference of a loader that fits properly with the bucket close. Excellent unrestricted visibility in ALL directions while maintaining balance, sharp turning radius, and more power.

### Freedom Mount™



Enjoy the Freedom of mounting this new series of loader from the comfort of your cab. Just drive over and set your loader on the bucket. To mount, just drive in, hook up hydraulics and the loader automatically locks on.

### Lineless Cylinders



Patented Lineless Cylinder Advantage. Eliminate the chance of unwanted downtime from hose snags, twists or deterioration with Westendorf's Professional Grade Lineless double ported Plug-N-Play cylinders. Features Patented Packing Protection system.

### One-Piece Bracket



Simple and strong one-piece bracket is tailor made for each tractor. Clean design allows easy freedom to access your tractor; plus, it reduces the installation time.

### The Perfect Bucket



The Perfect Bucket For Everyday Use. Westendorf is famous for bigger, stronger and cleaner bucket designs...we've taken it to the next level with the PROFESSIONAL GRADE bucket that matches the strength of the New Freedom Mount loaders.



## THE #1 RATED QUICK ATTACH SYSTEM ON THE MARKET IS NOW REMOTE CONTROLLED

You Asked; We Listened. Here by popular demand, the new Remote Control Coupler is activated with an Electro-Hydraulic control button conveniently located in the cab. Change attachments entirely from your seat. Regulated by small internal cylinders, the plungers are secured with hydraulic pressure. This economical user-friendly solution DOES NOT require 3rd function additions to your tractor. Easy On Your Pocketbook. This new Remote Coupler will retrofit to all your existing Westendorf attachments, eliminating any costly upgrades.





Quality You Will Feel;  
Ingenuity You Will Use



The FM-540 loader is a step up from the popular TA-26 loader series with added strength, modern features and 13' lift height. The patented triple force arms, lineless hydraulic system, Freedom-Mount™ bucket, Hydra-Snap™ hydraulic manifolds, rotational indicators and big grease-from-the-end pins allow for exceptional performance on today's powerful front-wheel assist tractors. Ideal for tractors with large front tires. NOW features the new Smart-Lock loader locking system for hassle-free on and off in just minutes.

# FM-540 BASE PACKAGE ..... \$10,900

Footnotes found in Bracket Chart

**FM-540 Base Package:**

- 3" Smart Pac Lineless Bucket and Lift Cylinders
- Freedom Mount with Smart-Lock
- Remote Control Coupler
- Standard Bracket Set
- Hose Kit
- Radiator Grill Guard
- Hydra-Snap™
- Rotational Level Indicator
- 86" Large Capacity Bucket with Bolt-on Blade (86Q421B)

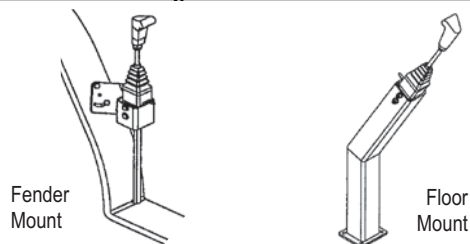
LIFT CAPACITY	2800 psi   3000 psi
31.5" from Pin	3600   3860
At Pivot Pin	5290   5670
LIFT HEIGHT	13'   156"
PKG WEIGHT	2140#
COLOR*	Gunmetal Black

\*Custom Paint Colors Available. Call for Pricing.

**JOYSTICKS & HYDRAULIC PACKAGES - p. 52**

OC/CC - OPEN / CLOSED CENTER HYD SYSTEMS			
Spool	4 Precision Valve and Remote Joystick*	5 Precision Valve w/Level-UP* Pre-Assembled-Ready to Use	6 All Electronic Valve with Electronic Joystick*
<b>A</b> 2 OC/CC	1,382	1,658	N/A
<b>B</b> 3 OC/CC	1,924	2,201	N/A
PFC - PRESSURE FLOW HYDRAULIC SYSTEMS			
<b>C</b> 2 PFC	2,272	2,551	6,566
<b>D</b> 3 PFC	2,631	2,905	6,899

\*Includes Mounting Kit - Floor or Fender Mount



**FACTORY INSTALLED UPGRADES**

Description	P/N	PAGE	PRICE
Bucket Options			
- Chain Hooks / Forklift Carriers	CH/FL		<b>INC</b>
Radiator Grill Guard	RG	45	<b>INC</b>

3rd Steel Line mtd, w/couplers			
- Steel Line w/hoses to manifold/tractor*	T3	45	Add <b>341</b>
- Steel Line w/hoses to manifold/valve*	T4	45	Add <b>315</b>

\* Requires a 3-spool manifold - see HYDRAULIC MANIFOLDS

**HYDRAULIC MANIFOLDS**

Description	P/N	PAGE	PRICE
<b>1-SPOOL MANIFOLDS</b> to quick-connect T-line to attachment			
- Hydra-Snap™	MA-190	44	<b>INC</b>
- Flat Face Hydra-Snap™	MA-384	44	<b>439</b>

<b>2-SPOOL MANIFOLDS</b> to quick-connect loader to tractor			
- Flat Face Hydra-Snap™ Manifold	MA-380	44	Add <b>INC</b>

<b>*3-SPOOL MANIFOLDS</b> to quick-connect loader to tractor			
- Flat Face Hydra-Snap™ Manifold	MA-383	44	Add <b>426</b>

Level UP Advantage (Reg. \$906)	LV-UP	45	Add <b>493</b>
Comfort Ride	CRS-750	45	Add <b>874</b>

**BUCKET UPGRADES**

BUCKETS	P/N	PAGE	PRICE
86" Lg Cap. Bucket w/Bolt-On Blade	86Q421B	48	<b>INC</b>

**SPECIALTY BUCKETS**

High Vol. Low Density Bucket	96Q454	48	<b>1,675</b>
Z-47 Feeder Bucket	Z-47	48	<b>4,871</b>
Fork Bucket	FB-42	48	<b>1,075</b>
Tine Bucket	TB-38	51	<b>1,441</b>
Sabretooth for Tine Bucket	GF-32	51	<b>778</b>

**ATTACHMENTS**

HAY HANDLING	P/N	PAGE	PRICE
2-Prong Bale Spear	SP-42	59	<b>855</b>
3-Prong Bale Spear	SP-43	59	<b>806</b>
4-Prong Bale Spear	SP-74	59	<b>1,554</b>
Stack Saver I	SS-I	59	<b>987</b>
Stack Saver II - 3	SS-II-3	59	<b>1,145</b>
Bale Handler	BH-15	58	<b>4,536</b>
Bale Grab	BG-34	58	<b>1,347</b>
Squeezer™	SQ-80	58	<b>2,028</b>

MATERIAL HANDLING	P/N	PAGE	PRICE
Brush Crusher	BC-6000	55	<b>2,565</b>
Brush Crusher 72" w/finishing teeth	BC-8800	55	<b>5,061</b>
Cat Claw 3-D Grab Fork	GF-184-3D	56	<b>3,376</b>
42" Fork Lift	FL-42	60	<b>1,408</b>
48" Fork Lift	FL-48/C-103	60	<b>1,498</b>
Extendable Boom	EB-34	60	<b>1,016</b>

ADDITIONAL ATTACHMENTS	P/N	PAGE	PRICE
96" V-Plow	VP-96	60	<b>1,624</b>
84" Dozer Blade	DB-84	61	<b>1,207</b>
96" Dozer Blade	DB-96	61	<b>1,340</b>
- Top Extension for Dozer Blade	DB-*TC	61	Add <b>504</b>
96" Snow Scraper	SBB-8	61	<b>2,599</b>
96" Snow Scraper w/Poly Blade	SBB-8-P	61	<b>3,285</b>
120" Snow Scraper	SBB-10	61	<b>2,898</b>
120" Snow Scraper w/Poly Blade	SBB-10-P	61	<b>3,783</b>
- Top Extension for Snow Scraper	SBB-*TC	61	Add <b>504</b>

ADAPTER OPTIONS	P/N	PAGE	PRICE
Snap-Attach Adapters - Set (2)	C-2/C-3	46	<b>119</b>
Snap-Attach Synchronizer	QCS-400	46	<b>85</b>

See and  
Feel the difference



The FM-550 loader is designed for strength and functionality. Its sleek low-profile shape provides clearer sightlines and amazing visibility in all directions. The patented lineless cylinders and hydraulic system, superior free flow bucket, Hydra-Snap™, rotational indicators and extra heavy bucket with bolt-on blade offers heavy-duty users all the extras to match the higher demands of today's large front-wheel assist tractors.

# FM-550 BASE PACKAGE ..... \$14,470

Footnotes found in Bracket Chart

**FM-550 Base Package:**

- 3-1/2" Smart Pac Lineless Bucket & Lift Cylinders
- Freedom-Mount™
- Remote Control Coupler
- Standard Bracket Set
- Hose Kit
- Radiator Grill Guard
- Hydra-Snap™ Manifolds
- Rotational Level Indicator
- Rotational Height Indicator
- 98" Large Capacity Bucket with Bolt-On Blade (98Q429B)

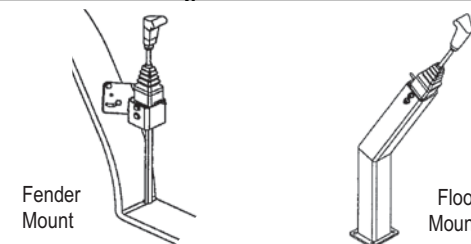
LIFT CAPACITY	2800 psi   3000 psi
31.5" from Pin	3900   4180
At Pivot Pin	6850   7340
LIFT HEIGHT	14'   168"
PKG WEIGHT	2642#
COLOR*	Gunmetal Black

\*Custom Paint Colors Available. Call for Pricing.

**JOYSTICKS & HYDRAULIC PACKAGES - p. 52**

OC/CC - OPEN / CLOSED CENTER HYD SYSTEMS			
Spool	4 Precision Valve and Remote Joystick*	5 Precision Valve w/Level-UP* Pre-Assembled-Ready to Use	6 All Electronic Valve with Electronic Joystick*
<b>A</b> 2 OC/CC	1,382	1,658	N/A
<b>B</b> 3 OC/CC	1,924	2,201	N/A
PFC - PRESSURE FLOW HYDRAULIC SYSTEMS			
<b>C</b> 2 PFC	2,272	2,551	6,566
<b>D</b> 3 PFC	2,631	2,905	6,899

\*Includes Mounting Kit - Floor or Fender Mount



**FACTORY INSTALLED UPGRADES**

Description	P/N	PAGE	PRICE
Bucket Options			
- Chain Hooks / Forklift Carriers	CH/FL		<b>INC</b>
Radiator Grill Guard	RG	45	<b>INC</b>

3rd Steel Line mtd, w/couplers			
- Steel Line w/hoses to manifold/tractor*	T3	45	Add <b>341</b>
- Steel Line w/hoses to manifold/valve*	T4	45	Add <b>315</b>

\* Requires a 3-spool manifold - see HYDRAULIC MANIFOLDS

**HYDRAULIC MANIFOLDS**

Description	P/N	PAGE	PRICE
<b>1-SPOOL MANIFOLDS</b> to quick-connect T-line to attachment			
- Hydra-Snap™	MA-190	44	<b>INC</b>
- Flat Face Hydra-Snap™	MA-384	44	Add <b>439</b>

<b>2-SPOOL MANIFOLDS</b> to quick-connect loader to tractor			
- Flat Face Hydra-Snap™ Manifold	MA-382	44	<b>INC</b>

<b>*3-SPOOL MANIFOLDS</b> to quick-connect loader to tractor			
- Flat Face Hydra-Snap™ Manifold	MA-383	44	Add <b>426</b>

Level UP Advantage (Reg. \$906)	LV-UP	45	Add <b>493</b>
Comfort Ride	CRS-750	45	Add <b>874</b>

**BUCKET UPGRADES**

BUCKETS	P/N	PAGE	PRICE
98" Lg Cap. Bucket w/Bolt-On Blade	98Q429B	48	<b>INC</b>
108" Lg Cap. Bucket w/Bolt-On Blade	108Q732B	48	Add <b>191</b>

**SPECIALTY BUCKETS for FM-550 & 560**

Z-47 Feeder Bucket	Z-47	48	<b>4,871</b>
Feed Bunk Bucket	FBB-112	48	<b>1,557</b>
Fork Bucket	FB-42	51	<b>1,075</b>
Tine Bucket	TB-38	51	<b>1,441</b>
Sabretooth for Tine Bucket	GF-32	51	<b>778</b>

**ATTACHMENTS**

HAY HANDLING	P/N	PAGE	PRICE
2-Prong Bale Spear	SP-42	59	<b>855</b>
3-Prong Bale Spear	SP-43	59	<b>806</b>
4-Prong Bale Spear	SP-74	59	<b>1,554</b>
4-Tine Double Bale Spear	SP-2B	58	<b>1,359</b>
Stack Saver I	SS-I	59	<b>987</b>
Stack Saver II - 3	SS-II-3	59	<b>1,145</b>
Bale Handler	BH-15	58	<b>4,536</b>
Bale Grab	BG-34	58	<b>1,347</b>
Squeezer™	SQ-80	58	<b>2,028</b>

MATERIAL HANDLING	P/N	PAGE	PRICE
Brush Crusher	BC-6000	55	<b>2,565</b>
Brush Crusher 72" w/finishing teeth	BC-8800	55	<b>5,061</b>
84" Cat Claw 3-D Grab Fork	GF-184-3D	56	<b>3,376</b>
96" Cat Claw 3-D Grab Fork	GF-196-3D	56	<b>3,716</b>
42" Fork Lift	FL-42/C-103	60	<b>1,408</b>
48" Fork Lift	FL-48/C-103	60	<b>1,498</b>
Extendable Boom	EB-34	60	<b>1,016</b>

ADDITIONAL ATTACHMENTS	P/N	PAGE	PRICE
96" V-Plow	VP-96	60	<b>1,624</b>
84" Dozer Blade	DB-84	61	<b>1,207</b>
96" Dozer Blade	DB-96	61	<b>1,340</b>
- Top Extension for Dozer Blade	DB-*TC	61	Add <b>504</b>
96" Snow Scraper	SBB-8	61	<b>2,599</b>
96" Snow Scraper w/Poly Blade	SBB-8-P	61	<b>3,285</b>
120" Snow Scraper	SBB-10	61	<b>2,898</b>
120" Snow Scraper w/Poly Blade	SBB-10-P	61	<b>3,783</b>
- Top Extension for Snow Scraper	SBB-*TC	61	Add <b>504</b>

ADAPTER OPTIONS	P/N	PAGE	PRICE
Snap-Attach Adapters - Set of (2)	C-2/C-3	46	<b>119</b>
Snap-Attach Synchronizer	QCS-400	46	<b>85</b>

**Dynamically designed  
for your tractor**



The FM-560 loader is designed for larger 6 cylinder tractors. It has the same sleek low-profile patented Freedom Mount™ shape that provides the clearest sightlines in the industry. The patented lineless cylinders and hydraulic system, Hydra-Snap™ manifolds, rotational indicators and larger heavy-duty bucket with bolt-on blade offer today's heavy-duty user all the extras that he needs to match the higher demands of today's large front-wheel assist tractors.

# FM-560 BASE PACKAGE ..... \$16,900

Footnotes found in Bracket Chart

**FM-560 Base package:**

- 3-1/2" Smart Pac Lineless Bucket & Lift Cylinders
- Freedom-Mount™
- Remote Control Coupler
- Standard Bracket Set
- Hose Kit
- Radiator Grill Guard
- Hydra-Snap™ Manifolds
- Rotational Level Indicator
- Rotational Height Indicator
- 98" Large Capacity Bucket with Bolt-On Blade (98Q429B)

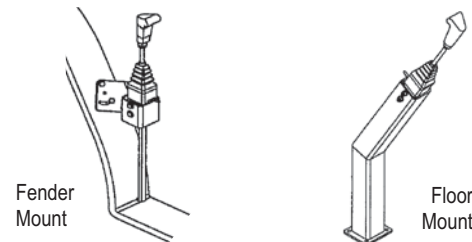
<b>LIFT CAPACITY</b>	2800 psi   3000 psi
31.5" from Pin	4700   5035
At Pivot Pin	7460   7990
<b>LIFT HEIGHT</b>	15'   180"
<b>PKG WEIGHT</b>	2825#
<b>COLOR*</b>	Gunmetal Black

\*Custom Paint Colors Available. Call for Pricing.

**JOYSTICKS & HYDRAULIC PACKAGES - p. 52**

OC/CC - OPEN / CLOSED CENTER HYD SYSTEMS			
Spool	4 Precision Valve and Remote Joystick*	5 Precision Valve w/Level-UP* Pre-Assembled-Ready to Use	6 All Electronic Valve with Electronic Joystick*
<b>A</b> 2 OC/CC	1,382	1,658	N/A
<b>B</b> 3 OC/CC	1,924	2,201	N/A
PFC - PRESSURE FLOW HYDRAULIC SYSTEMS			
<b>C</b> 2 PFC	2,272	2,551	6,566
<b>D</b> 3 PFC	2,631	2,905	6,899

\*Includes Mounting Kit - Floor or Fender Mount



**FACTORY INSTALLED UPGRADES**

Description	P/N	PAGE	PRICE
<b>Bucket Options</b>			
- Chain Hooks / Forklift Carriers	CH/FL		<b>INC</b>
<b>Radiator Grill Guard</b>	RG	45	<b>INC</b>
<b>3rd Steel Line mtd, w/couplers</b>			
- Steel Line w/hoses to manifold/tractor*	T3	45	Add <b>341</b>
- Steel Line w/hoses to manifold/valve*	T4	45	Add <b>315</b>

\* Requires a 3-spool manifold - see HYDRAULIC MANIFOLDS

**HYDRAULIC MANIFOLDS**

Description	P/N	PAGE	PRICE
<b>1-SPOOL MANIFOLDS</b> to quick-connect T-line to attachment			
- Hydra-Snap™	MA-190	44	<b>INC</b>
- Flat Face Hydra-Snap™	MA-384	44	Add <b>439</b>
<b>2-SPOOL MANIFOLDS</b> to quick-connect loader to tractor			
- Flat Face Hydra-Snap™ Manifold	MA-382	44	<b>INC</b>
<b>*3-SPOOL MANIFOLDS</b> to quick-connect loader to tractor			
- Flat Face Hydra-Snap™ Manifold	MA-383	44	Add <b>426</b>
Level UP Advantage (Reg. \$906)	LV-UP	45	Add <b>493</b>
Comfort Ride	CRS-750	45	Add <b>874</b>

**BUCKET UPGRADES**

BUCKETS	P/N	PAGE	PRICE
98" Lg Cap. Bucket w/Bolt-On Blade	98Q429B	48	<b>INC</b>
108" Lg Cap. Bucket w/Bolt-On Blade	108Q732B	48	Add <b>191</b>

**SPECIALTY BUCKETS for FM-550 & 560**

Z-47 Feeder Bucket	Z-47	48	<b>4,871</b>
Feed Bunk Bucket	FBB-112	48	<b>1,557</b>
Fork Bucket	FB-42	51	<b>1,075</b>
Tine Bucket	TB-38	51	<b>1,441</b>
Sabretooth for Tine Bucket	GF-32	51	<b>778</b>

**ATTACHMENTS**

HAY HANDLING	P/N	PAGE	PRICE
2-Prong Bale Spear	SP-42	59	<b>855</b>
3-Prong Bale Spear	SP-43	59	<b>806</b>
4-Prong Bale Spear	SP-74	59	<b>1,554</b>
4-Tine Double Bale Spear	SP-2B	58	<b>1,359</b>
Stack Saver I	SS-I	59	<b>987</b>
Stack Saver II - 3	SS-II-3	59	<b>1,145</b>
Bale Handler	BH-15	58	<b>4,536</b>
Bale Grab	BG-34	58	<b>1,347</b>
Squeezer™	SQ-80	58	<b>2,028</b>

MATERIAL HANDLING	P/N	PAGE	PRICE
Brush Crusher	BC-6000	55	<b>2,565</b>
Brush Crusher 72" w/finishing teeth	BC-8800	55	<b>5,061</b>
84" Cat Claw 3-D Grab Fork	GF-184-3D	56	<b>3,376</b>
96" Cat Claw 3-D Grab Fork	GF-196-3D	56	<b>3,716</b>
42" Fork Lift	FL-42/C-103	60	<b>1,408</b>
48" Fork Lift	FL-48/C-103	60	<b>1,498</b>
Extendable Boom	EB-34	60	<b>1,016</b>

ADDITIONAL ATTACHMENTS	P/N	PAGE	PRICE
96" V-Plow	VP-96	60	<b>1,624</b>
84" Dozer Blade	DB-84	61	<b>1,207</b>
96" Dozer Blade	DB-96	61	<b>1,340</b>
- Top Extension for Dozer Blade	DB-TC	61	Add <b>504</b>
96" Snow Scraper	SBB-8	61	<b>2,599</b>
96" Snow Scraper w/Poly Blade	SBB-8-P	61	<b>3,285</b>
120" Snow Scraper	SBB-10	61	<b>2,898</b>
120" Snow Scraper w/Poly Blade	SBB-10-P	61	<b>3,783</b>
- Top Extension for Snow Scraper	SBB-TC	61	Add <b>504</b>

ADAPTER OPTIONS	P/N	PAGE	PRICE
Snap-Attach Adapters - Set of (2)	C-2/C-3	46	<b>119</b>
Snap-Attach Synchronizer	QCS-400	46	<b>85</b>

**A modern loader  
for a modern tractor**



The FM-570 loader has all the same benefits of the FM-560, and it adapts to wider framed tractors with large front tires. It has the same sleek low-profile patented Freedom Mount™ shape that provides the clearest sightlines in the industry. The patented lineless cylinders and hydraulic system, Hydra-Snap™, rotational indicators, free flow bucket and double tapered I-beam arms ensure you will have the strength in your loader to match the strength of your tractor.

# FM-570 BASE PACKAGE ..... \$17,475

Footnotes found in Bracket Chart

**FM-570 Base Package:**

- 3-1/2" Smart Pack Lineless Bucket and Lift Cylinders
- Freedom-Mount™
- Remote Control Coupler
- Mounting & Hose Kit
- Radiator Grill Guard
- Hydra-Snap™ Manifolds
- Rotational Level Indicator
- Rotational Height Indicator
- 98" Large Capacity Bucket (98Q729B)

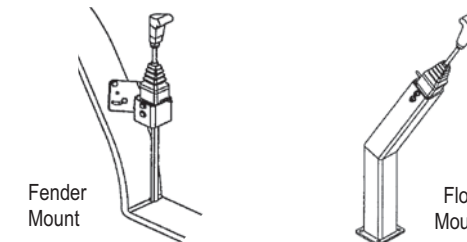
<b>LIFT CAPACITY</b>	2800 psi   3000 psi
31.5" from Pin	4700   5035
At Pivot Pin	7460   7990
<b>LIFT HEIGHT</b>	15'   180"
<b>PKG WEIGHT</b>	2845#
<b>COLOR*</b>	Gunmetal Black

\*Custom Paint Colors Available. Call for Pricing.

**JOYSTICKS & HYDRAULIC PACKAGES - p. 52**

OC/CC - OPEN / CLOSED CENTER HYD SYSTEMS			
Spool	4 Precision Valve and Remote Joystick*	5 Precision Valve w/Level-UP* Pre-Assembled-Ready to Use	6 All Electronic Valve with Electronic Joystick*
<b>A</b> 2 OC/CC	1,382	1,658	N/A
<b>B</b> 3 OC/CC	1,924	2,201	N/A
PFC - PRESSURE FLOW HYDRAULIC SYSTEMS			
<b>C</b> 2 PFC	2,272	2,551	6,566
<b>D</b> 3 PFC	2,631	2,905	6,899

\*Includes Mounting Kit - Floor or Fender Mount



**FACTORY INSTALLED UPGRADES**

Description	P/N	PAGE	PRICE
<b>Bucket Options</b>			
- Chain Hooks / Forklift Carriers	CH/FL		<b>INC</b>
<b>Radiator Grill Guard</b>	RG	45	<b>INC</b>
<b>3rd Steel Line mtd, w/couplers</b>			
- Steel Line	T	45	Add <b>178</b>
- Steel Line w/hoses to tractor	T2	45	Add <b>285</b>
- Steel Line w/hoses to manifold/tractor*	T3	45	Add <b>341</b>
- Steel Line w/hoses to manifold/valve*	T4	45	Add <b>315</b>

\* Requires a 3-spool manifold - see HYDRAULIC MANIFOLDS

**HYDRAULIC MANIFOLDS**

Description	P/N	PAGE	PRICE
<b>1-SPOOL MANIFOLDS</b> to quick-connect T-line to attachment			
- Hydra-Snap™	MA-190	44	<b>INC</b>
- Flat Face Hydra-Snap™	MA-384	44	Add <b>439</b>
<b>2-SPOOL MANIFOLDS</b> to quick-connect loader to tractor			
- Flat Face Hydra-Snap™ Manifold	MA-382	44	<b>INC</b>
<b>*3-SPOOL MANIFOLDS</b> to quick-connect loader to tractor			
- Flat Face Hydra-Snap™ Manifold	MA-383	44	Add <b>426</b>
Level UP Advantage (Reg. \$906)	LV-UP	45	Add <b>493</b>
Comfort Ride	CRS-750	45	Add <b>874</b>

**BUCKET UPGRADES**

BUCKETS	P/N	PAGE	PRICE
98" Lg Cap. Bucket w/Bolt-On Blade	98Q729B	48	<b>INC</b>
108" Lg Cap. Bucket w/Bolt-On Blade	108Q732B	48	Add <b>191</b>

**SPECIALTY BUCKETS**

Z-47 Feeder Bucket	Z-47	48	<b>4,871</b>
Feed Bunk Bucket	FBB-112	48	<b>1,557</b>
Fork Bucket	FB-42	51	<b>1,075</b>
Tine Bucket	TB-38	51	<b>1,441</b>
Sabretooth for Tine Bucket	GF-32	51	<b>778</b>

**ATTACHMENTS**

HAY HANDLING	P/N	PAGE	PRICE
2-Prong Bale Spear	SP-72	59	<b>937</b>
3-Prong Bale Spear	SP-76	59	<b>891</b>
4-Prong Bale Spear	SP-74	59	<b>1,554</b>
4-Tine Double Bale Spear	SP-2B	58	<b>1,359</b>
Stack Saver I	SS-I	59	<b>987</b>
Stack Saver II - 3	SS-II-3	59	<b>1,145</b>
Bale Handler	BH-15	58	<b>4,536</b>
Bale Grab	BG-34	58	<b>1,347</b>
Squeezer™	SQ-80	58	<b>2,028</b>

Requires P-7 Extension Plate - See page 43.

MATERIAL HANDLING	P/N	PAGE	PRICE
Brush Crusher	BC-6000	55	<b>2,565</b>
Brush Crusher 72" w/finishing teeth	BC-8800	55	<b>5,061</b>
84" Cat Claw 3-D Grab Fork	GF-184-3D	56	<b>3,376</b>
96" Cat Claw 3-D Grab Fork	GF-196-3D	56	<b>3,716</b>
42" Fork Lift	FL-42/C-103	60	<b>1,408</b>
48" Fork Lift	FL-48/C-103	60	<b>1,498</b>
Extendable Boom	EB-34	60	<b>1,016</b>

ADDITIONAL ATTACHMENTS	P/N	PAGE	PRICE
96" V-Plow	VP-96/C-2	60	<b>1,624</b>
96" Dozer Blade	DB-96	61	<b>1,340</b>
120" Dozer Blade	DB-120	61	<b>2,015</b>
- Top Extension for Dozer Blade	DB-TC	61	Add <b>504</b>
120" Snow Scraper	SBB-10	61	<b>2,898</b>
120" Snow Scraper w/Poly Blade	SBB-10-P	61	<b>3,783</b>
144" Snow Scraper	SBB-12	61	<b>3,315</b>
144" Snow Scraper w/Poly Blade	SBB-12-P	61	<b>4,402</b>
- Top Extension for Snow Scraper	SBB-TC	61	Add <b>504</b>

ADAPTER OPTIONS	P/N	PAGE	PRICE
Snap-Attach Adapters - Set (2)	C-2/C-3	46	<b>119</b>
Snap-Attach Synchronizer	QCS-700	46	<b>97</b>



**Muscle you won't believe**  up to 260  
2WD 4WD

The FM-580 & FM-585 has all the same modern day features such as patented lineless cylinders and hydraulic system, Flat Face Hydra-Snap™, and bucket with double bolt-on blade ensures you will have the strength you need to match your tractor.

**FM-580**  
**BASE PACKAGE** ..... **\$21,850**

Footnotes found in Bracket Chart  
This loader is a 70 Series Loader with 54" wide arm spacing.

**FM-580 Base package:**

- 3-1/2" Smart Pac Bucket Cylinders
- 4" Smart Pac Lift Cylinders
- Freedom-Mount™
- Remote Control Coupler
- Standard Bracket Set & Hose Kit
- Radiator Grill Guard
- Flat Face Hydra-Snap™ Manifold
- Rotational Level Indicator
- 98" Lg. Cap. Bucket (98Q729B)

<b>LIFT CAPACITY</b>	2800 psi   3000 psi
31.5" from Pin	6740   7220
At Pivot Pin	8830   9460
<b>LIFT HEIGHT</b>	16'   192"
<b>PKG WEIGHT</b>	4400#
<b>COLOR*</b>	Gunmetal Black

\*Custom Paint Colors Available. Call for Pricing.

**FM-585**  
**BASE PACKAGE** ..... **\$23,850**

Footnotes found in Bracket Chart  
This loader is a 80 Series = 62" arm spacing

**FM-585 Base package:**

- 3-1/2" Smart Pac Bucket Cylinders
- 4" Smart Pac Lift Cylinders
- Freedom-Mount™
- Remote Control Coupler
- Standard Bracket Set & Hose Kit
- Radiator Grill Guard
- Flat Face Hydra-Snap™ Manifold
- Rotational Level Indicator
- 108" Lg. Cap. Bucket (108Q832B)

<b>LIFT CAPACITY</b>	2800 psi   3000 psi
31.5" from Pin	6740   7220
At Pivot Pin	8830   9460
<b>LIFT HEIGHT</b>	16'   192"
<b>PKG WEIGHT</b>	4600#
<b>COLOR*</b>	Gunmetal Black

\*Custom Paint Colors Available. Call for Pricing.

**BUCKET UPGRADES for FM-585**

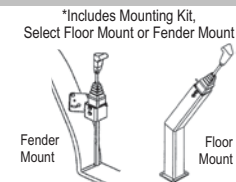
<b>BUCKETS</b>	P/N	PAGE	PRICE
108" Lg Cap. Bucket w/Bolt-On Blade	108Q832B	48	Add <b>INC</b>

**ATTACHMENTS for FM-585**

<b>MATERIAL HANDLING</b>	P/N	PAGE	PRICE
4-Tine Double Bale Spear	SP-2B	58	<b>1,359</b>
Brush Crusher	BC-6000	55	<b>2,565</b>
Brush Crusher 72" w/finishing teeth	BC-8800	55	<b>5,061</b>
96" Cat Claw 3-D Grab Fork	GF-196-3D	56	<b>3,716</b>

**JOYSTICKS & HYDRAULIC PACKAGES - p. 52**

OC/CC - OPEN CENTER / CLOSED CENTER HYDRAULIC SYSTEMS						
	1	2	3	4	5	6
Spool	Valve w/Handles and Mounting Kit	Valve w/Direct Cable Joystick	Valve with Remote Cable Joystick*	Precision Valve and Remote Joystick*	Precision Valve w/Level-UP* Pre-Assembled-Ready to Use	All Electronic Valve with Electronic Joystick*
<b>A</b>	2 OC/CC	<b>718</b>	<b>825</b>	<b>1,292</b>	<b>1,382</b>	N/A
<b>B</b>	3 OC/CC	<b>864</b>	<b>967</b>	<b>1,721</b>	<b>1,924</b>	N/A
PFC - PRESSURE FLOW HYDRAULIC SYSTEMS						
<b>C</b>	2 PFC	N/A	N/A	N/A	<b>2,272</b>	<b>2,551</b>
<b>D</b>	3 PFC	N/A	N/A	N/A	<b>2,631</b>	<b>2,905</b>



**FACTORY INSTALLED UPGRADES (580/585)**

<b>Description</b>	P/N	PAGE	PRICE
Rocket - Chain Hooks / Forklift Carriers	CH/FL		<b>INC</b>
Radiator Grill Guard	RG	45	<b>INC</b>
3rd Steel Line mounted, w/couplers			
- Steel Line	T	45	Add <b>178</b>
- Steel Line w/hoses to tractor	T2	45	Add <b>285</b>
- Steel Line w/hoses to manifold/tractor*	T3	45	Add <b>341</b>
- Steel Line w/hoses to manifold/valve*	T4	45	Add <b>315</b>

\* Requires a 3-spool manifold - see HYDRAULIC MANIFOLDS

**HYDRAULIC MANIFOLDS (580/585)**

<b>Description</b>	P/N	PAGE	PRICE
<b>1-SPOOL MANIFOLDS</b> to quick-connect T-line to attachment			
- Hydra-Snap™	MA-190	44	<b>INC</b>
- Flat Face Hydra-Snap™	MA-384	44	Add <b>439</b>
<b>2-SPOOL MANIFOLDS</b> to quick-connect loader to tractor			
- Flat Face Hydra-Snap™ Manifold	MA-382	44	<b>INC</b>

<b>*3-SPOOL MANIFOLDS</b> to quick-connect loader to tractor			
- Flat Face Hydra-Snap™ Manifold	MA-383	44	Add <b>426</b>
Level UP Advantage (Req. \$906)	LV-UP	45	Add <b>493</b>
Comfort Ride	CRS-750	45	Add <b>874</b>

**BUCKET UPGRADES - FM-580**

<b>BUCKETS</b>	P/N	PAGE	PRICE
98" Lq Cap. Bucket w/Bolt-On Blade	98Q7C29B	48	<b>INC</b>
108" Lq Cap. Bucket w/Bolt-On Blade	108Q7C32B	48	Add <b>191</b>

**SPECIALTY BUCKETS**

Z-47 Feeder Bucket	Z-47	48	<b>4,871</b>
Feed Bunk Bucket	FBB-112	48	<b>1,557</b>
Fork Bucket	FB-42	51	<b>1,075</b>
Tine Bucket	TB-38	51	<b>1,441</b>
Sabretooth for Tine Bucket	GF-32	51	<b>778</b>

**ATTACHMENTS - FM-580**

<b>HAY HANDLING</b>	P/N	PAGE	PRICE
2-Prong Bale Spear	SP-72	59	<b>937</b>
3-Prong Bale Spear	SP-76	59	<b>891</b>
4-Prong Bale Spear	SP-74	59	<b>1,554</b>
4-Tine Double Bale Spear	SP-2B	58	<b>1,359</b>
Stack Saver I	SS-I	59	<b>987</b>
Stack Saver II - 3	SS-II-3	59	<b>1,145</b>
Bale Handler	BH-15	59	<b>4,536</b>
Bale Grab	BG-34	59	<b>1,347</b>
Squeezer™ (Requires P-7 - See pg. 47)	SQ-80	59	<b>2,028</b>

<b>MATERIAL HANDLING</b>	P/N	PAGE	PRICE
Brush Crusher	BC-6000	55	<b>2,565</b>
Brush Crusher 72" w/finishing teeth	BC-8800	55	<b>5,061</b>
84" Cat Claw 3-D Grab Fork	GF-184-3D	56	<b>3,376</b>
96" Cat Claw 3-D Grab Fork	GF-196-3D	56	<b>3,716</b>
42" Fork Lift	FL-42/C-103	60	<b>1,408</b>
48" Fork Lift	FL-48/C-103	60	<b>1,498</b>
Extendable Boom	EB-34	60	<b>1,016</b>

<b>ADDITIONAL ATTACHMENTS</b>	P/N	PAGE	PRICE
96" V-Plow	VP-96/C-2	60	<b>1,624</b>
96" Dozer Blade	DB-96	61	<b>1,340</b>
120" Dozer Blade	DB-120	61	<b>2,015</b>
- Top Extension for Dozer Blade	DB-TC	61	Add <b>504</b>
120" Snow Scraper	SBB-10	61	<b>2,898</b>
120" Snow Scraper w/Poly Blade	SBB-10-P	61	<b>3,783</b>
144" Snow Scraper	SBB-12	61	<b>3,315</b>
144" Snow Scraper w/Poly Blade	SBB-12-P	61	<b>4,402</b>
- Top Extension for Snow Scraper	SBB-TC	61	Add <b>504</b>

<b>ADAPTER OPTIONS</b>	P/N	PAGE	PRICE
Snap-Attach Adapters - Set (2)	C-2/C-3	46	<b>119</b>
Snap-Attach Synchronizer	QCS-700	46	<b>97</b>

up to 160  up to 130  
2WD 4WD

**WL-44**  
**BASE PACKAGE** ..... **\$10,965**

Footnotes found in Bracket Chart

The WL-44 fits 2WD tractors and some 4WD tractors. It has mechanical self-leveling and added lift capacity. See WL-42 for attachments.

**WL-44 Base Package:**

- 3" Bucket & Lift Cylinders
- Mechanical Self-Leveling
- Hydraulic Power-Mount™
- Snap-Attach™ System
- Standard Bracket Set & Hose Kit
- MA-40 Hydraulic Manifolds
- Bucket Gauge Rod
- 84" Large Capacity Bucket (84Q425)

<b>LIFT CAPACITY</b>	2500 psi   3000 psi
31.5" from Pin	4000   4800
At Pivot Pin	5860   7025
<b>LIFT HEIGHT</b>	14'   168"
<b>PKG WEIGHT</b>	2359#
<b>COLOR*</b>	Westendorf Red

\*Custom Paint Colors Available. Call for Pricing.

up to 160  up to 130  
2WD 4WD

**WL-61**  
**BASE PACKAGE** ..... **\$10,745**

Footnotes found in Bracket Chart

Built for super performance and years of use. The WL-61 works well on wider tractors like the 7000 Allis, Massey & International V-8 tractors. See WL-64 for attachments.

**WL-61 Base Package:**

- 3" Bucket & Lift Cylinders
- Hydraulic Power-Mount™
- Snap-Attach™ System
- Standard Bracket Set & Hose Kit
- MA-40 Hydraulic Manifolds
- Bucket Gauge Rod
- 84" Large Capacity Bucket (84Q425)

<b>LIFT CAPACITY</b>	2500 psi   3000 psi
31.5" from Pin	7025   8400
At Pivot Pin	10,255   12,300
<b>LIFT HEIGHT</b>	13' 8"   164"
<b>PKG WEIGHT</b>	2324#
<b>COLOR*</b>	Westendorf Red

\*Custom Paint Colors Available. Call for Pricing.

up to 240  up to 225  
2WD 4WD

**WL-64**  
**BASE PACKAGE** ..... **\$12,430**

Footnotes found in Bracket Chart

The WL-64 loader is ideal for a heavy hay handler with its 15' lift height and standard mechanical self-leveling feature. It fits many 4WD tractor models.

**WL-64 Base Package:**

- 3" Bucket & Lift Cylinders
- Hydraulic Power-Mount™
- Mechanical Self-Leveling
- Snap-Attach™ System
- Standard Bracket Set & Hose Kit
- MA-40 Hydraulic Manifolds
- Bucket Gauge Rod
- 84" Large Capacity Bucket (84Q425)

<b>LIFT CAPACITY</b>	2500 psi   3000 psi
31.5" from Pin	3875   4650
At Pivot Pin	5700   6850
<b>LIFT HEIGHT</b>	15'   180"
<b>PKG WEIGHT</b>	3045#
<b>COLOR*</b>	Westendorf Red

\*Custom Paint Colors Available. Call for Pricing.

**For Versatile Bi-Directional Tractors**

**WL-576**  
**BASE PACKAGE** ..... **\$10,980**

Footnotes found in Bracket Chart

Designed specifically for a Ford Bi-Directional tractor, the WL-576's heavy duty construction complements the tractor well. See TA-76 for attachments.

**WL-576 Base Package:**

- 2-1/2" Bucket Cylinders
- 3" Lift Cylinders
- Hydraulic Power-Mount™
- Snap-Attach™ System
- Standard Bracket Set & Hose Kit
- MA-40 Hydraulic Manifolds
- Bucket Gauge Rod
- 84" Large Capacity Bucket (84Q725)

<b>LIFT CAPACITY</b>	2500 psi   3000 psi
31.5" from Pin	4600   5400
At Pivot Pin	6590   7900
<b>LIFT HEIGHT</b>	12' 6"   150"
<b>PKG WEIGHT</b>	1560#
<b>COLOR*</b>	Stone Black

\*Custom Paint Colors Available. Call for Pricing.

**For JD 8630 4WD & Similar Tractors**

**TA-6000**  
**PACKAGE PRICE** ..... **CALL**

**TA-6000 Package:**

The TA-6000 is designed for larger tractors like the JD 8630. It is a true powerhouse loader. Considering the size of this loader, the ability to Power-Mount™ and use quick on and off attachments is truly amazing.

<b>LIFT CAPACITY</b>	CALL
<b>LIFT HEIGHT</b>	14' 5"   173"
<b>COLOR*</b>	Stone Black

\*Custom Paint Colors Available. Call for Pricing.

Call for Custom Quote on the TA-6000

**For JD 8850 4WD & Similar Tractors**

**WL-7000**  
**PACKAGE PRICE** ..... **CALL**

**WL-7000 Package:**

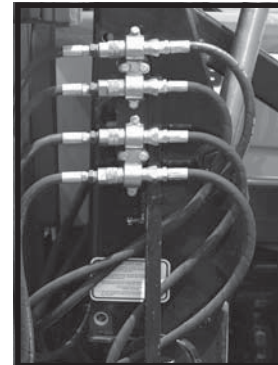
Designed for strength, power and comfort, the WL-7000 is practical and efficient for year round use. Designed for JD8850 and similar tractors. Considering the size of this loader, the ability to Power-Mount™ and use quick on and off attachments is truly amazing.

<b>LIFT CAPACITY</b>	CALL
<b>LIFT HEIGHT</b>	15'   180"
<b>COLOR*</b>	Westendorf Red

\*Custom Paint Colors Available. Call for Pricing.

Call for Custom Quote on the WL-7000





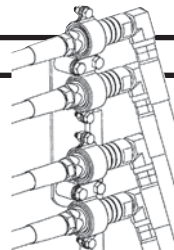
**QUICK CONNECT MANIFOLDS**

All Westendorf loaders include one of the following types of quick-connect manifolds. The manifold is located at the mid-section of the tractor to allow easy access to the hydraulic hoses for faster, cleaner and hassle-free connections when mounting or dismounting your front end loader.

*It eliminates the frustrating hose routing to back of tractor and comes in both 4 and 6 Line models with either standard or under-pressure couplers.*

**STANDARD MANIFOLDS**

P/N	Spool	Description	Price
MA-40	2	Standard Pressure Couplers (4 Line)	134
MA-80	2	Under Pressure Couplers (4 Lines)	220
MA-43	3	Standard Pressure Couplers (6 Lines)	190
MA-83	3	Under Pressure Couplers (6 Lines)	273



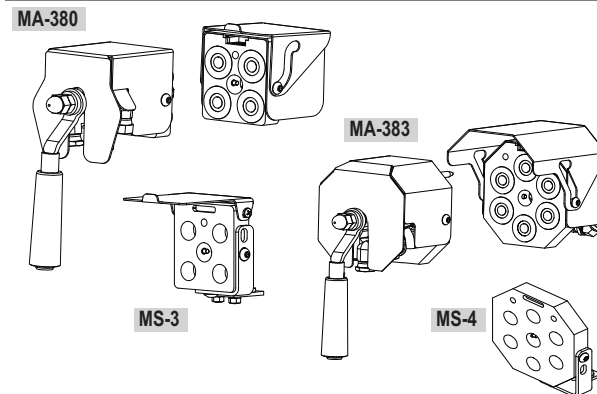
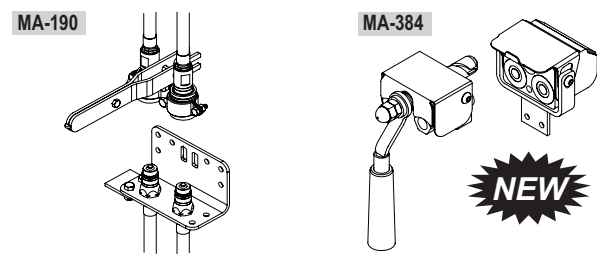
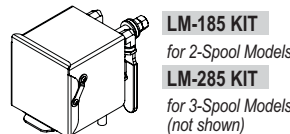
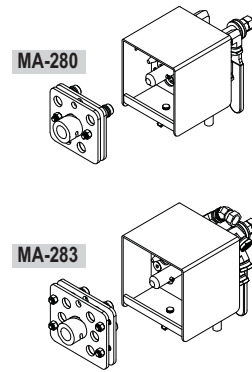
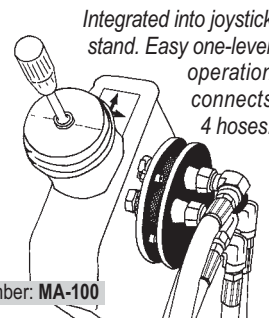
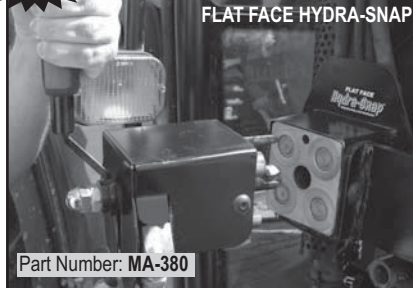
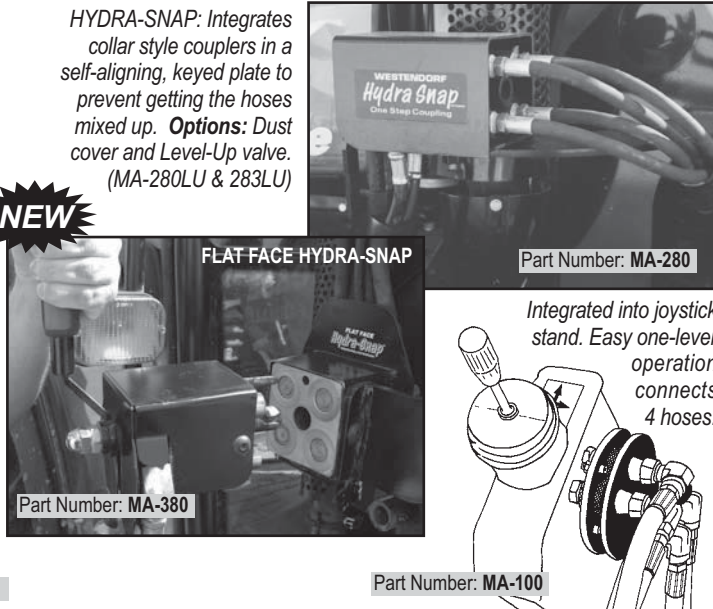
**HYDRA-SNAP™ MANIFOLDS**

Make hydraulic hose connections easy with a Hydra-Snap™ multi-hose coupling manifold. It's environmentally friendly, easy to install, simple to use, and the space saving design permits use in many locations and different applications such as planters, disc plows, snow blowers and balers.

*HYDRA-SNAP: Integrates collar style couplers in a self-aligning, keyed plate to prevent getting the hoses mixed up. Options: Dust cover and Level-Up valve. (MA-280LU & 283LU)*



**FLAT-FACE HYDRA-SNAP:** feature high pressure flat face couplers with NO-DRIP connection. They are self-storing and include a dust cover to keep hydraulic connections clean when not in use. Also available with an optional integrated electronic connection.



**HYDRA-SNAP™**

P/N	Spool	Description	Price
MA-100	2	Unit for 100 Series Compact Loaders	259
MA-190	1	Under Pressure Couplers	176
MA-280	2	Hydra-Snap w/Under Pressure Couplers (4 Lines)	347
MA-280LU	2	Hydra-Snap w/Under Pressure Couplers and Integrated Level-Up Valve (4 Lines)	840
LM-185 KIT	2	Optional Dust Cover Kit for MA-280	74
LM-176COM	2	Half with Handle for MA-280 (4 Lines)	210
LM-183COM	2	Half with Handle for MA-280LU (4 Lines)	676
LM-170COM	2	Half without Handle for MA-280/280LU (4 Lines)	176
MA-283	3	Hydra-Snap w/Under Pressure Couplers (6 Lines)	474
MA-283LU	3	Hydra-Snap Unit with Under Pressure Couplers and Integrated Level-Up Valve (6 Lines)	977
LM-285 KIT	2	Optional Dust Cover Kit for MA-283	99
LM-283COM	3	Half with Handle for MA-283LU (6 Lines)	806
LM-276COM	3	Half with Handle for MA-283 (6 Lines)	332
LM-275COM	3	Half without Handle for MA-28 /283LU (6 Lines)	213

**FLAT FACE HYDRA-SNAP™**

P/N	Spool	Description	Price
MA-384	1	Flat Face No-Drip Couplers	439
MA-380	2	Hydra-Snap w/Flat Face No-Drip Couplers (4 Lines)	852
MS-3	2	Parking Plate for MA-380	115
LM-326		Optional Integrated Electronic Kit for MA-380	255
LM-308COM	2	Half without Handle for MA-380 (4 Lines)	426
LM-325COM	2	Half with Handle for MA-380 (4 Lines)	511
MA-383	3	Hydra-Snap w/Flat Face No-Drip Couplers (6 Lines)	1,277
MS-4	3	Parking Plate for MA-383	115
LM-326		Optional Integrated Electronic Kit for MA-383	255
LM-408COM	3	Half without Handle for MA-383 (6 Lines)	639
LM-400COM	3	Half with Handle for MA-383 (6 Lines)	766

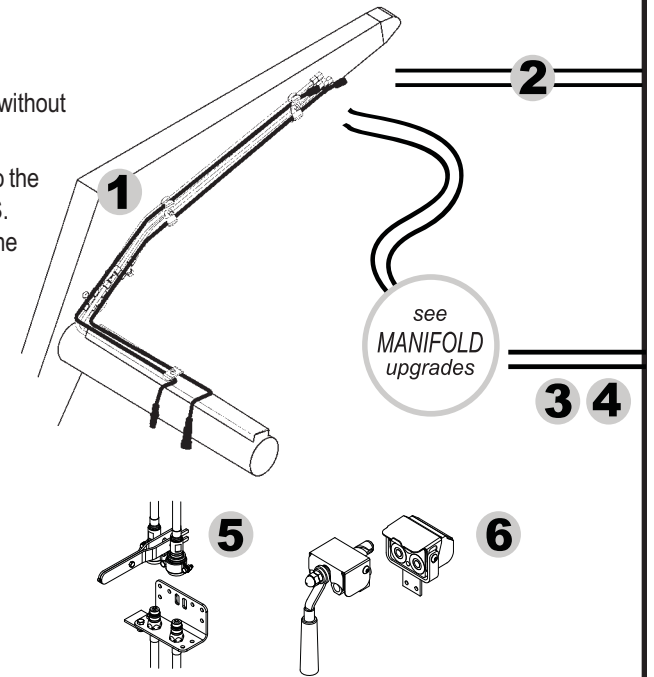
**T- LINE / 3RD FUNCTION ADD-ONS**

**T-Line Package:** Consider oil source and select appropriate kit.

**Quick-Connect:** Couple attachment hoses to the loader faster and without mess with the optional 1-spool quick connects.

**Update Manifold:** If kit is being purchased with a loader, upgrade to the 3-spool manifold on loader page, under HYDRAULIC MANIFOLDS. If kit is being purchase without a loader, you can run long hoses to the back of the tractor OR purchase a 3-spool manifold from page 44.

**Update Valve:** If 3-spool valve is required, go to page 52.



**T-LINE UPGRADE PACKAGES**

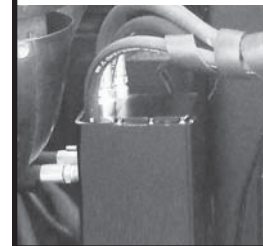
P/N	Description	Price
T	T-Lines Only - mounted w/couplers	250
T2	T-Lines w/couplers and hoses direct to tractor* (1 & 2)	399
T3	T-Lines with couplers and hoses to manifold and from manifold direct to tractor* (1 & 3)	477
T4	T-Lines with couplers and hoses to manifold and from manifold direct to valve (1 & 4)	441

**QUICK-CONNECT OPTIONS for attachment**

P/N	Description	Price
MA-190**	Hydra-Snap with Collar Style Couplers (5)	176
MA-384	Hydra-Snap with Flat Face Couplers (6)	439

\* Connecting couplers to tractor is customer's responsibility

**LEVEL UP Increase productivity with a Level-UP self-leveling valve**



Automatically keep the bucket level while raising. Eliminates operator leveling function and fatigue while increasing productivity. The valve directs a portion of the exhaust oil from the lift cylinder to the bucket cylinder for automatic leveling. The valve works well with a wide range of applications, including buckets, bale spears, forklifts and booms.

P/N: LV-UP Price : 910 Price w/Loader Pkg : 493



**COMFORT RIDE Increases operator comfort over rough terrain**

Add Comfort Ride to any loader to absorb the shock and stress put on a tractor while working. Softens sudden jolts and provides smoother operation. Ideal for users who haul hay over open fields or frequently travel through rough terrain to do loader work. Easily turns on or off with the push of a button to match your task at hand.

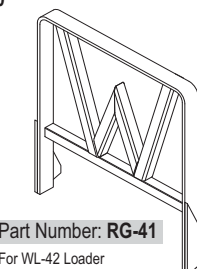
P/N: CRS-750 Price: 874



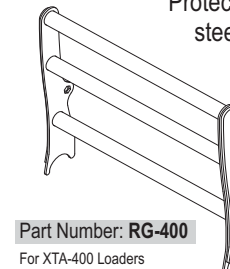
Part Number: RG-500  
For FM Loaders Price: 750



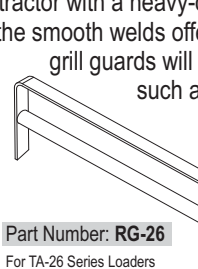
Part Number: RG-41  
For WL-42 Loader Price: 158



Part Number: RG-400  
For XTA-400 Loaders Price: 517



Part Number: RG-26  
For TA-26 Series Loaders Price: 102



Part Number: RG-46  
For TA-46 Series Loaders Price: 120

**GRILL GUARD PACKAGES**

Protect your tractor with a heavy-duty grill guard. Made from high quality steel and the smooth welds offer a finished look. These easy to install grill guards will help shield your grill from large objects such as hay bales or the edge of feed trucks.

Package Includes: Grill guard and mounting hardware.

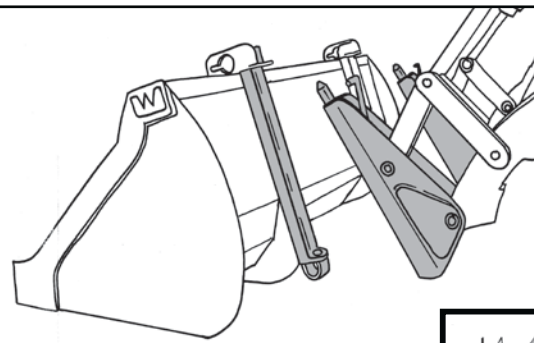


**SNAP-ATTACH™**

The original quick-attach introduced to the loader industry in the 70's has stayed consistent and reliable for over 40 years.

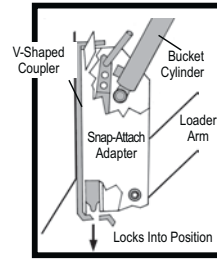
**Snap-Attach™ Advantages:**

- Self-aligning for trouble free connection
- No-Wear V-Shape design stays tight over time
- Close placement to pivot pin increases power and bucket action
- Easy to Use: hook upper pins into top holes of attachment, lift off the ground and roll back to Snap-Lock the attachment into place.
- Simple Design has less components to wear over time, is easier to maintain and costs less.



**SNAP-LOCK FEATURE**

This patented feature locks on automatically using the bucket cylinders. Just drive into the self-aligning V-shaped couplers, roll back bucket and hear pins lock into place. No tools, no prying pins or added trips off tractor to secure attachment.



**LOADER REFERENCE**

Use this chart to reference the loader model with the optional quick couplers available.

LOADER MODEL	WESTENDORF FOR LOADER	SKID-STEER FOR LOADER	EURO COUPLER FOR LOADER
<b>100 SERIES</b>			
TA-111	C-8	C-22	N/A
TA-140	C-8	C-22	N/A
TA-160	C-16	C-23	N/A
TA-170	C-8	C-22	N/A
TA-175	C-8	C-22	N/A
TA-180	C-8	C-22	N/A
TA-185	C-8	C-25	N/A
<b>MAX SERIES</b>			
MAX420	C-40	C-65*	C-53
MAX440	C-40	C-65*	C-54
<b>WL SERIES</b>			
WL-20	C-6	C-65*	C-63
WL-21	C-6	C-31	C-63
WL-23	C-6	C-65*	C-63
WL-24	C-4B	C-65*	C-53
WL-30	C-1	C-65*	C-64
WL-40	C-1	C-65*	C-64
WL-42*	C-1	C-65*	C-64
WL-42**	C-5	C-65*	C-64
WL-44	C-4B	C-65*	C-54
WL-61*	C-1	C-65*	C-64
WL-61**	C-5	C-65*	C-64
WL-64	C-4B	C-65*	C-54
WL-576	C-5	C-65*	C-64
<b>TA SERIES</b>			
TA-25	C-9	C-20	C-63
TA-26	C-4B	C-30	C-53
TA-26+	C-4B	C-30	C-53
TA-2612	C-4B	C-30	C-53
TA-28	C-5	C-31	C-63
TA-28+	C-4B	C-30	C-53
TA-29	C-4B	C-30	C-53
TA-45	C-4B	C-65*	C-54
TA-46	C-4B	C-65*	C-54
TA-48	C-4B	C-65*	C-54
TA-76	C-4B	C-75*	C-57
TA-77	C-4B	C-75*	C-57
<b>XTA SERIES</b>			
XTA-400	C-4B	C-65*	C-54
XTA-700	C-4B	C-75*	C-57
<b>CUSTOM CONTOUR</b>			
CC-330	C-4B	C-50	C-54
CC-340	C-4B	C-65*	C-54
CC-360	C-4B	C-65*	C-54
CC-370	C-4B	C-75*	C-57
<b>FREEDOM MOUNT</b>			
FM-540	C-40	C-65*	C-63
FM-550	C-40	C-65*	C-63
FM-560	C-40	C-65*	C-63
FM-570	C-40	C-75*	N/A
FM-580	C-48	C-75*	N/A
FM-585	C-48	N/A	N/A

\* Adapter Conversion Plate

**CONVERT "OTHER BRAND" LOADERS TO SNAP-ATTACH™**

The Universal Conversion Kit makes it easy to convert a loader to the Snap-Attach™ system. With a 40+ year track record of consistent design and reliability, it will be the last quick-attach system you need to buy.

**UNIVERSAL SNAP-ATTACH**

For OTHER BRAND Loaders		
C-152*	Universal Conversion Kit Contains C-15's (2) and Weld-On C-2's (2)	947
<b>Bushing Conversion Kits</b>		
QC-1580 KIT	Converts 1" Std Pin to 1-1/8" (QTY. 2)	29
QC-1581 KIT	Converts 1" Std Pin to 1-1/4" (QTY. 2)	29
QC-1582 KIT	Converts 1" Std Pin to 1-1/2" (QTY. 2)	29
QC-1583 KIT	Converts 1" Std Pin to 1-5/8" (QTY. 2)	29
QC-1584 KIT	Converts 1" Std Pin to 1-3/8" (QTY. 2)	29
QC-1585 KIT	Converts 1" Std Pin to 1-3/4" (QTY. 2)	29

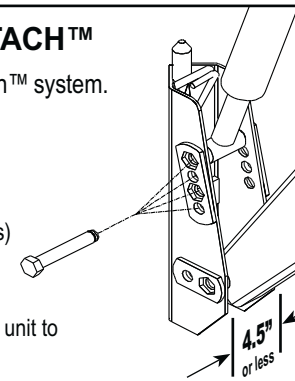
\*See Snap-Attach System for Additional Female Adapter Options

**Conversion Kit Contents:**

- (2) C-15 Universal Couplers (1" pins)
- (2) C-2 Female Adapters for bucket

SEE Optional Bushing Kits to adapt unit to various pin diameters

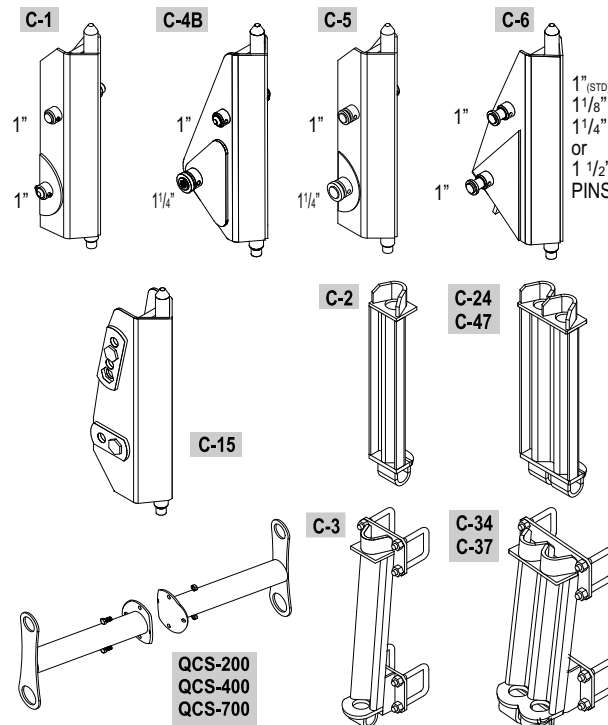
NOTE: Loader arm ends must be 4.5" or less in width and cylinders must be located on the top of the arms for the coupler to fit.



**SNAP-ATTACH™ SYSTEM**

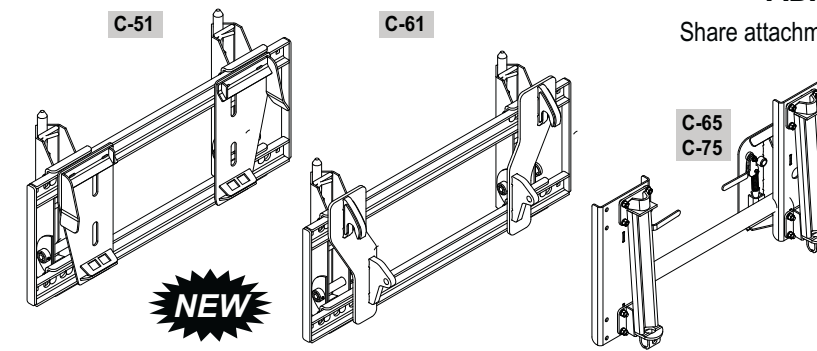
CONVERSION KITS - Adapters & Couplers		
C-12	WL-40 Kit (C-1's & C-2's)	543
C-62	WL-20 / WL-21 Kit (C-6's & C-2's)	587
<b>MALE COUPLER FOR LOADER - SET of 2</b>		
C-1	Snap-Attach Coupler	424
C-4B	Snap-Attach Coupler	538
C-5	Snap-Attach Coupler	454
C-6	Snap-Attach Coupler	468
C-15	Universal Snap-Attach Coupler Other brand loaders (C-15's)	764
<b>FEMALE ADAPTERS - SET of 2</b>		
C-2	Weld-On Adapters	119
C-24	Double Weld-On Adapters Share Attachments 20 to 40 Series	329
C-47	Double Weld-On Adapters Share Attachments 40 to 70 Series	341
C-3	Bolt-On Adapters**	119
C-34	Double Bolt-On Adapters** Share Attachments 20 to 40 Series	329
C-37	Double Bolt-On Adapters** Share Attachments 40 to 70 Series	341
<b>SYNC BAR - To Keep Couplers Aligned</b>		
QCS-200	Synchronizer for 20 Series	74
QCS-400	Synchronizer for 40 Series	85
QCS-700	Synchronizer for 70 Series	97

\*For TA-26+, 26-12, 28+, 29, 48, XTA's, CC's & FM's  
\*\*Includes U-Bolts for Installation



**ADAPTER & COUPLER CONVERSIONS**

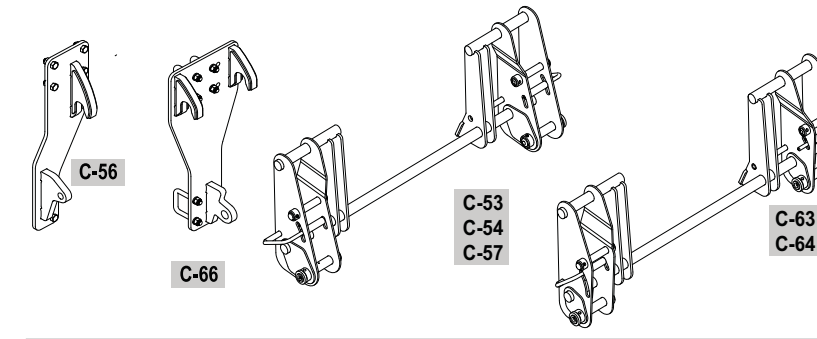
Share attachments between different loaders or skid-loaders easily without having to modify your attachment line.



ADAPTER CONVERSIONS		
P/N	Description	Price
C-51	Skid Steer to Westendorf 20/40 Series Attachment w/ Snap-Attach	1,100
C-61	Euro Style to Westendorf 20/40 Series Attachment w/Snap-Attach	1,100
C-65	Westendorf 20/40 Series w/Snap-Attach to Skid Steer Attachments	900
C-75	Westendorf 70 Series w/Snap-Attach to Skid Steer Attachments	975

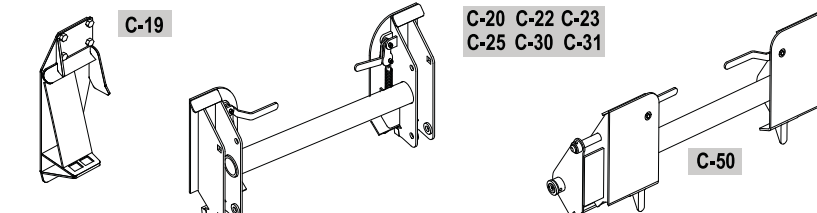
**EURO COUPLERS & ADAPTERS**

MALE COUPLER FOR LOADER		
C-53	Euro Coupler for Westendorf Loader w/bucket linkage (20 Series)	750
C-54	Euro Coupler for Westendorf Loader w/bucket linkage (40 Series)	750
C-57	Euro Coupler for Westendorf Loader w/bucket linkage (70 Series)	850
C-63	Euro Coupler-Westendorf Loader without bucket linkage (20 Series)	750
C-64	Euro Coupler-Westendorf Loader without bucket linkage (40 Series)	750
<b>FEMALE ADAPTERS - SET of 2</b>		
C-56	Euro Adapter - Global 1	250
C-66	Euro Adapter - Global 2	290



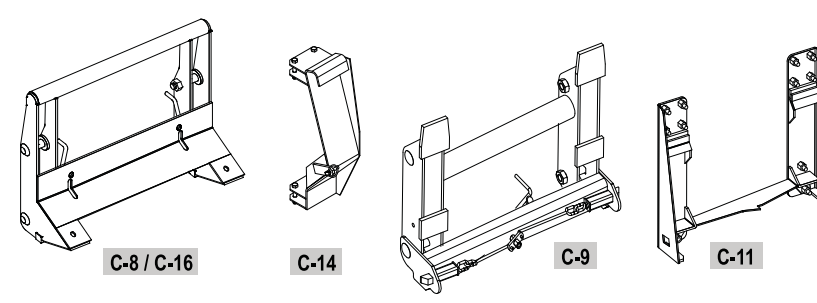
**SKID STEER COUPLERS &**

MALE COUPLER FOR LOADER		
C-20 C-22 C-23 C-30 C-31	Skid Steer Coupler	637
C-50	Skid-Steer Coupler	579
<b>FEMALE ADAPTERS - SET of 2</b>		
C-19	Skid-Steer Adapters	250



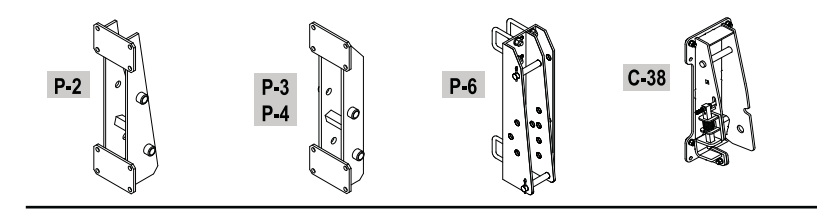
**QUICK ATTACH SYSTEMS**

MALE COUPLERS FOR LOADER		
C-8	Quick Attach Coupler For TA-111/TA-140/TA-170/TA-180	310
C-16	Quick Attach Coupler For TA-160	360
C-9	Quick Attach Coupler For TA-25	277
<b>FEMALE ATTACHMENT ADAPTERS</b>		
C-14	Quick Attach Adapter For use with Couplers C-8 and C-16	424
C-11	Quick Attach Adapter For use with Coupler C-9	202



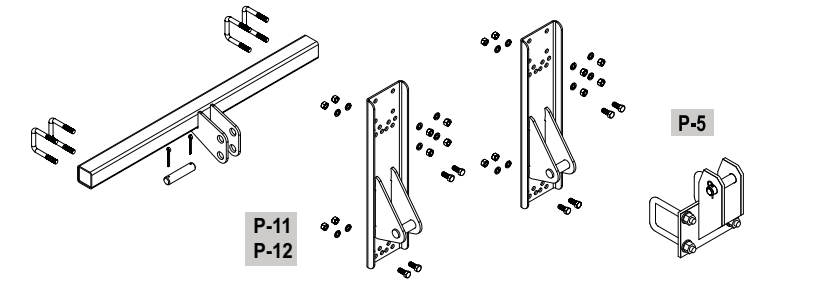
**PIN & OTHER ADAPTERS**

FEMALE ADAPTERS - SET of 2		
P-2	Pin-Type - Weld-On for WL-21	285
P-3	Pin-Type - Bolt-On for WL-42	358
P-4	Pin-Type - Weld-On for WL-42	305
P-6	Pin-Type - Bolt-On For other brands	395
C-38	JD Adapter (640, 740, 741)	579
P-7	Extension Plate Adapts Narrow Attachments to 70 Series Width	317



**3-POINT CONVERSION KITS**

P/N	Description	Price
P-5	3-Point Hitch Brackets (Set of 3) Mounts Most Attachments to 3-Point	196
P-11	3-Point Hitch Brackets Welds or Bolts to Attachment	450
P-12	3-Point Hitch Brackets U-Bolts for Frame Style Attachments	440

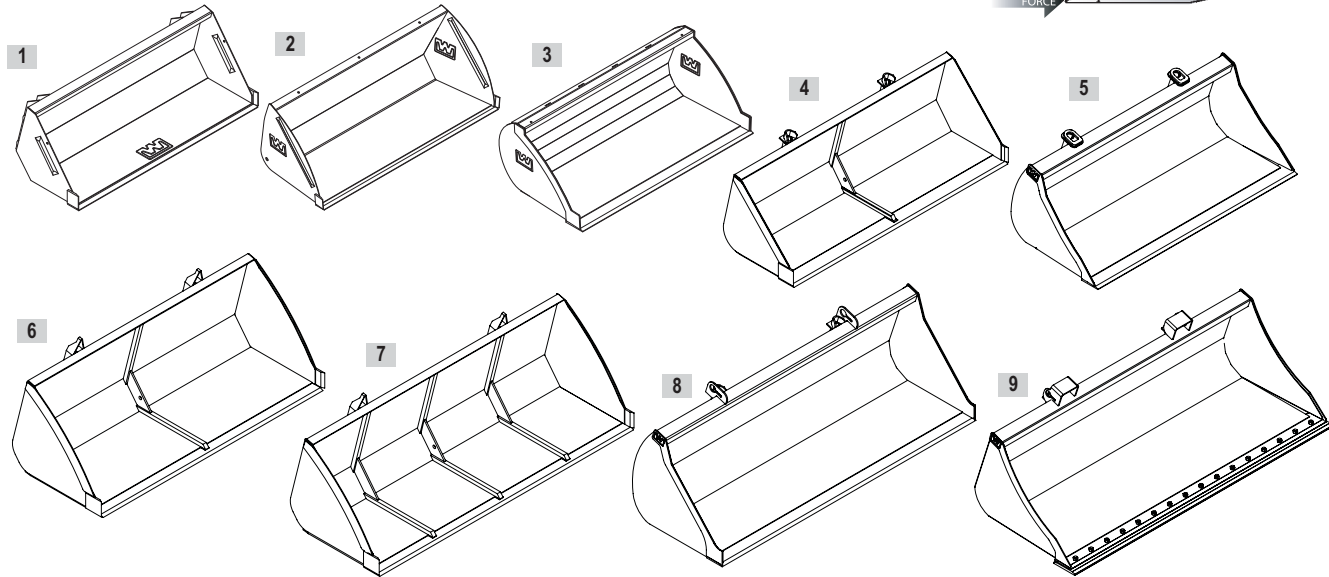
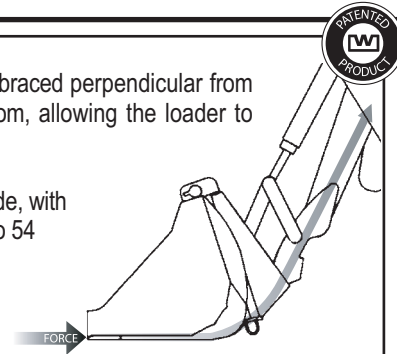


**WESTENDORF BUCKETS** are built with the highest quality components that will hold-up over time and through many demanding tasks.

Since we've been manufacturing loaders, our buckets have been the best in the industry. The exclusive patented double tapered bucket shape is only available from Westendorf. It allows material to dump freely and easily.

All Westendorf buckets are braced perpendicular from the cutting edge on the bottom, allowing the loader to absorb the shock of digging.

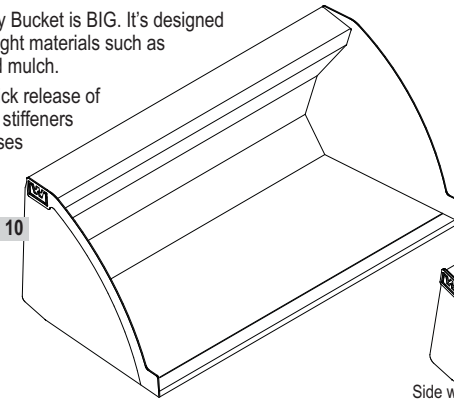
Available from 36" to 120" wide, with capacities from 4 cubic feet to 54 cubic feet.



**HIGH VOLUME LOW DENSITY**

This High Volume Low Density Bucket is BIG. It's designed to carry huge loads of lightweight materials such as wood chips, chicken feed, and mulch.

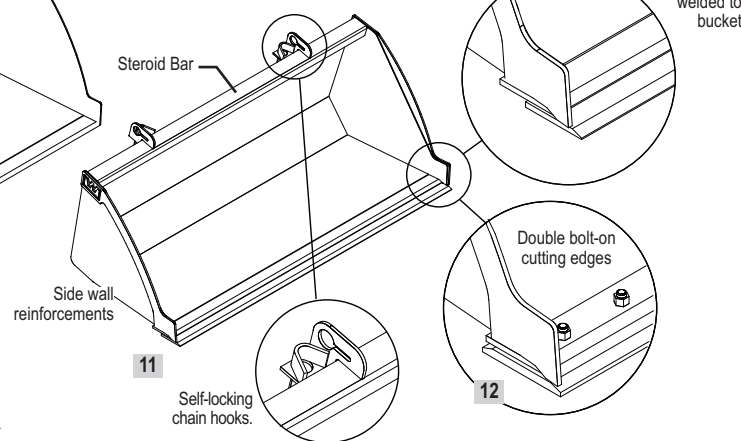
The tapered design allows quick release of materials and the arched side stiffeners add extra strength and increases capacity. The bucket is 96" wide with a whopping 2.5 cu. yd. capacity.



**HEAVY DUTY HIGH CAPACITY**

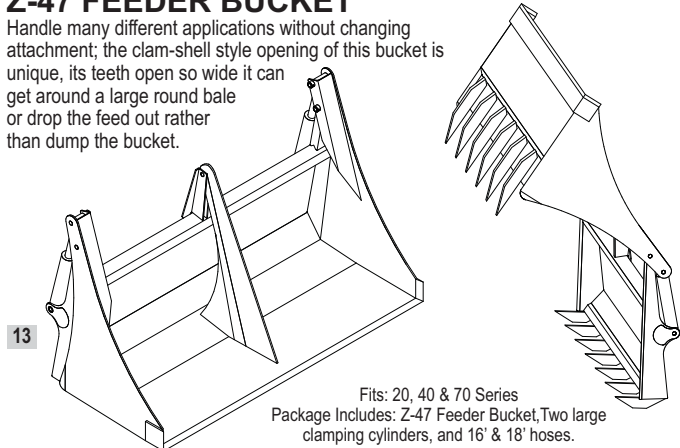
The strength, durability, and patented design makes the HDHC buckets a coveted tool for those who do serious material handling jobs. Comes in sizes from 84"-108" and capacities up to 1.7 cu. yds.

Two thick beveled high-strength double blades welded to bucket



**Z-47 FEEDER BUCKET**

Handle many different applications without changing attachment; the clam-shell style opening of this bucket is unique, its teeth open so wide it can get around a large round bale or drop the feed out rather than dump the bucket.

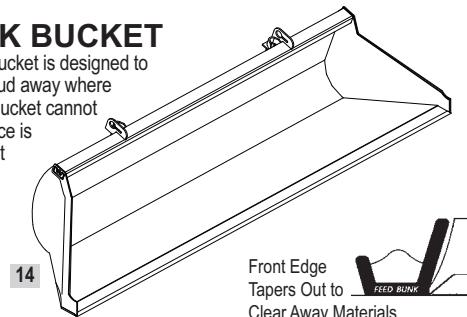


Fits: 20, 40 & 70 Series  
Package Includes: Z-47 Feeder Bucket, Two large clamping cylinders, and 16' & 18' hoses.

**FEED BUNK BUCKET**

This unique shaped bucket is designed to clear the snow and mud away where your regular shaped bucket cannot reach. What's also nice is that this shape doesn't prevent its full use as a regular bucket.

Fits: 20, 40 & 70 Series



Front Edge Tapers Out to Clear Away Materials

**BUCKET REFERENCE & ADAPTER CHART**

- Order and easily customize a quality constructed Westendorf bucket for any loader.
- Quickly reference the chart below to identify which buckets will work with your existing loader.
- Shop-at-a-glance by durability, capacity, width and adapter style.
- Choose from No Adapters, Snap-Attach, Skid-Steer or Euro Style adapters.

- Custom Bucket Options:**
- Bucket Teeth & Rake Teeth - Page 50
  - Back Drag Blades - Page 50
  - Dual Changer MAX - Page 52
  - Bucket Mount Bale Spear - Page 59

ADAPTER REFERENCE ON PAGES 46-47										PRICE		100 SERIES	WL SERIES	TA SERIES	XTA SERIES	CUSTOM CONTOUR	FREEDOM MOUNT	MAX SERIES																				
BUCKET STYLE REF. NO.	Large Capacity	Heavy Duty	No Rib	Double Blade	Struck Capacity	Heaped Capacity	PART NUMBER	WIDTH (Inches)	SNAP-ATTACH	NO ADAPTERS	SKID-STEER AND EURO ATTACH	TA-52 / 54 / 55	TA-111 / 140 / 160	TA-170 / 180	TA-175 / 185	WL-21 / 27	WL-42 / 44	WL-61 / 64	TA-25	TA-26 / 26+ / 26 <sup>12</sup>	TA-28 / 28+ / 29	TA-45 / 46 / 48	TA-76 / 77	XTA-400	XTA-700	CC-330 / 340	CC-360	CC-370	FM-540	FM-550 / 560	FM-570	FM-580	FM-585	MAX420	MAX440			
1	✓	✓	✓	✓	4 ft.	5 ft.	48P604	48	404	345																												
1	✓	✓	✓	✓	5 ft.	6 ft.	54P605	54	444	384																												
2	✓	✓	✓	✓	9 ft.	12 ft.	60Q109-SB	60	558	498																												
4	✓	✓	✓	✓	12 ft.	14 ft.	60Q512	60	613	554																												
2	✓	✓	✓	✓	10 ft.	13 ft.	66Q110-SB	66	576	516																												
3	✓	✓	✓	✓	14 ft.	17 ft.	66QS14	66	662	721																												
2	✓	✓	✓	✓	12 ft.	15 ft.	72Q112-SB	72	600	540																												
4	✓	✓	✓	✓	14 ft.	19 ft.	72P214	72	1,024	965	1,177																											
4	✓	✓	✓	✓	14 ft.	19 ft.	72Q214	72	1,024	965	1,177																											
4	✓	✓	✓	✓	14 ft.	17 ft.	72Q514	72	729	669																												
3	✓	✓	✓	✓	15 ft.	19 ft.	72QS15	72	724	783																												
8	✓	✓	✓	✓	16 ft.	20 ft.	72Q416	72	1,055	995	1,208																											
4	✓	✓	✓	✓	16 ft.	22 ft.	84Q216	84	1,112	1,052	1,265																											
8	✓	✓	✓	✓	18 ft.	23 ft.	84Q418	84	1,146	1,086	1,299																											
5	✓	✓	✓	✓	20 ft.	25 ft.	84Q220	84	1,146	1,086	1,299																											
5	✓	✓	✓	✓	20 ft.	25 ft.	84Q420	84	1,146	1,086	1,299																											
6	✓	✓	✓	✓	25 ft.	1.2 yd.	84Q225	84	1,213	1,153	1,366																											
6	✓	✓	✓	✓	25 ft.	1.2 yd.	84Q425	84	1,213	1,153	1,366																											
8	✓	✓	✓	✓	27 ft.	1.2 yd.	84Q427	84	1,259	1,200	1,412																											
12	✓	✓	✓	✓	31 ft.	1.5 yd.	84Q231B	84	1,745	1,686	1,898																											
11	✓	✓	✓	✓	31 ft.	1.5 yd.	84Q231W	84	1,581	1,521	1,734																											
12	✓	✓	✓	✓	31 ft.	1.5 yd.	84Q431B	84	1,745	1,686	1,898																											
11	✓	✓	✓	✓	31 ft.	1.5 yd.	84Q431W	84	1,581	1,521	1,734																											
9	✓	✓	✓	✓	21 ft.	1.3 yd.	86Q421B	86	1,908	1,848	2,061																											
6	✓	✓	✓	✓	25 ft.	1.2 yd.	90Q225	90	1,277	1,218	1,430																											
6	✓	✓	✓	✓	25 ft.	1.2 yd.	90Q425	90	1,277	1,218	1,430																											
7	✓	✓	✓	✓	29 ft.	1.4 yd.	96Q429	96	1,347	1,287	1,500																											
7	✓	✓	✓	✓	29 ft.	1.4 yd.	96Q729	96	1,347	1,287	1,500																											
8	✓	✓	✓	✓	30 ft.	1.4 yd.	96Q430	96	1,347	1,287	1,500																											
8	✓	✓	✓	✓	30 ft.	1.4 yd.	96Q730	96	1,347	1,287	1,500																											
12	✓	✓	✓	✓	35 ft.	1.7 yd.	96Q235B	96	2,040	1,981	2,193																											
11	✓	✓	✓	✓	35 ft.	1.7 yd.	96Q235W	96	1,782	1,722	1,935																											
12	✓	✓	✓	✓	35 ft.	1.7 yd.	96Q435B	96	2,040	1,981	2,193																											
11	✓	✓	✓	✓	35 ft.	1.7 yd.	96Q435W	96	1,782	1,722	1,935																											
12	✓	✓	✓	✓	35 ft.	1.7 yd.	96Q735B	96	2,040	1,981	2,193																											
11	✓	✓	✓	✓	35 ft.	1.7 yd.	96Q735W	96	1,782	1,722	1,935																											
10	✓	✓	✓	✓	54 ft.	2.5 yd.	96Q254*	96	1,675	1,615	1,828																											
10	✓	✓	✓	✓	54 ft.	2.5 yd.	96Q454*	96	1,675	1,615	1,828																											
9	✓	✓	✓	✓	29 ft.	1.5 yd.	98Q429B	98	2,194	2,134	2,347																											
9	✓	✓	✓	✓	29 ft.	1.5 yd.	98Q729B	98	2,194	2,134	2,347																											
9	✓	✓	✓	✓	32 ft.	1.75 yd.	108Q732B	108	2,385	2,325	2,538																											
9	✓	✓	✓	✓	29 ft.	1.5 yd.	98Q7C29B	98	2,194	2,134	2,347																											
9	✓	✓	✓	✓	32 ft.	1.75 yd.	108Q7C32B	108	2,385	2,326	2,538																											
9	✓	✓	✓	✓	32 ft.	1.75 yd.	108Q8C32B	108	2,385	2,326	2,538																											
7	✓	✓	✓	✓	33 ft.	1.6 yd.	108Q733	108	1,523	1,463	1,676																											
<b>SPECIALTY RIGKFTS</b>																																						
13	✓	✓	✓	✓	33	1.6 yd.	7-47	84	4,871	4,812	5,024																											
14	✓	✓	✓	✓	28	1.4 yd.	FBB-112	112	1,557	1,497	1,710																											

\* High Volume - Low Density



## BUCKET OPTIONS

### HEAVY DUTY BUCKET TEETH

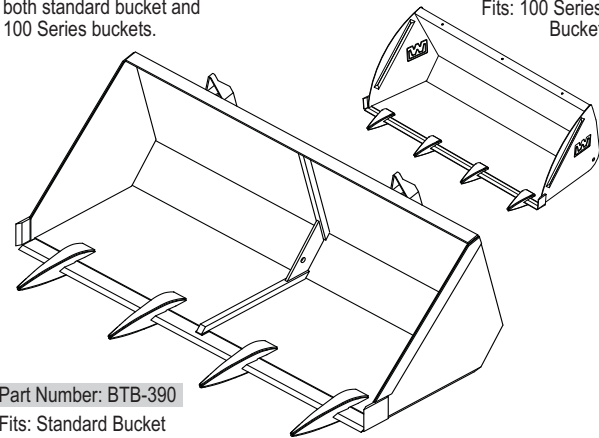
Package Includes: Heavy-duty tooth and mounting hardware.



Just slip tooth over cutting edge and 2 bolts later you are using them. Add any number of these easy-to-install bucket teeth to the cutting edge for digging, ripping brush, or moving compacted manure and hay mix. Teeth are for both standard bucket and 100 Series buckets.

Part Number: BTB-345

Fits: 100 Series Bucket



Part Number: BTB-390

Fits: Standard Bucket

### HEAVY DUTY BUCKET TEETH

P/N	Description	Price
BTB-345	Bucket Teeth - 100 Series (Set of 2)	170
BTB-390	Bucket Teeth - Standard Bucket (Set of 2)	205

### BUCKET TEETH

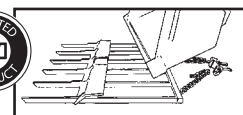
Package Includes: Heavy-duty teeth, chains and mounting clamps.

No More bolts to torch off!!!  
ON & OFF in Minutes

For 48" to 96" buckets. Built with high-strength steel. Teeth are cut with a 45° taper so the tooth doesn't dig in. Quick attach teeth eliminate the problem... "When you want them on the bucket they are off and when you want them off they are on." These teeth can be installed in just seconds with no tools, plus the clamp is up out of the mess.

### 100 SERIES BUCKET TEETH

Package Includes: Bucket teeth, chains and mounting clamps.



**QUICK-TACH FEATURE**  
No Tools Required! Just drive up & insert the cutting edge into teeth, wrap chains under and up to the top rail. Clamp into place.

### OTHER BRAND BUCKETS

To adapt to other brand buckets, weld the top clamp to the back of the bucket for no tool mounting.

### QUICK-TACH BUCKET TEETH

P/N	Width	Fits Buckets	Price
<b>100 SERIES QUICK-TACH BUCKET TEETH - 1" SQUARE TINES</b>			
BTA-48	48"	48P604	242
BT-60	60"	60Q109-SB	266
RQT-60	60"	60Q512 (For TA-25 only)	316
RQT-72	72"	72Q514 (For TA-25 only)	374
<b>QUICK-TACH BUCKET TEETH - 1-1/4" SQUARE TINES</b>			
QT-72	72"	72Q214	670
BT-84	84"	84" & 96" BUCKETS*	789

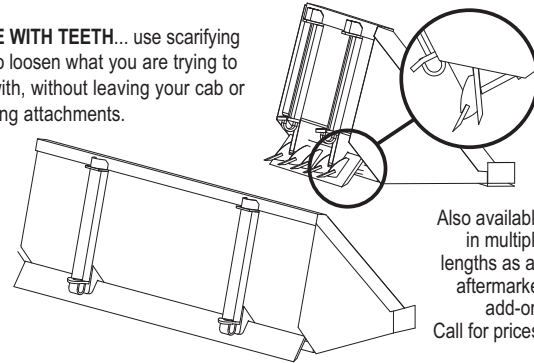
\*Must specify bucket width when ordering.

### BACK DRAG BLADE

Ideal for users who plan to do frequent dirt work with their loader. Get more power and down pressure so you can cut stronger without cylinder strain; while using the bucket as a depth gauge.



**BLADE WITH TEETH...** use scarifying teeth to loosen what you are trying to work with, without leaving your cab or changing attachments.



Also available in multiple lengths as an aftermarket add-on. Call for prices.

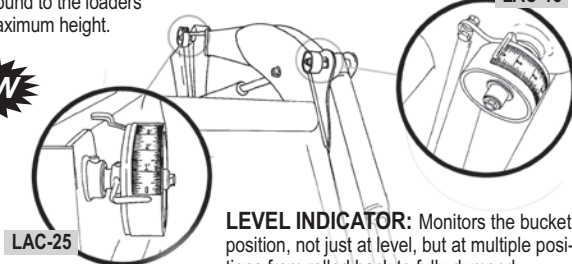
### BACK DRAG BLADES

P/N	Description	Price
BD-72	Back Drag Blade for 72" Bucket	310
BD-84	Back Drag Blade for 84" Bucket	347
BD-90	Back Drag Blade for 90" Bucket	367
BD-96	Back Drag Blade for 96" Bucket	385
BDT-72	Back Drag Blade w/Teeth-72" Bucket	404
BDT-84	Back Drag Blade w/Teeth-84" Bucket	444
BDT-90	Back Drag Blade w/Teeth-90" Bucket	463
BDT-96	Back Drag Blade w/Teeth-96" Bucket	480

### ROTATIONAL INDICATORS

**HEIGHT INDICATOR:** A great feature to speed up repetitive tasks like stacking hay or monitoring loads from the ground to the loader's maximum height.

LAC-15



LAC-25

**LEVEL INDICATOR:** Monitors the bucket's position, not just at level, but at multiple positions from rolled back to fully dumped.

### ROTATIONAL INDICATORS

P/N	Description	Price
LAC-15	Full Range Level Indicator	73
LAC-25	Rotational Height Indicator	52

### RAKE TEETH

Rake down and loosen the front face of the silage pile so you can scoop up just what you need. Rake Teeth are made to come off fast; however, most of the time they can remain on, and they are always there when you need them.



• NO TOOLS Required  
• Easy On & Off



### RAKE TEETH

P/N	Description	Price
RK-40	Rake Teeth	240

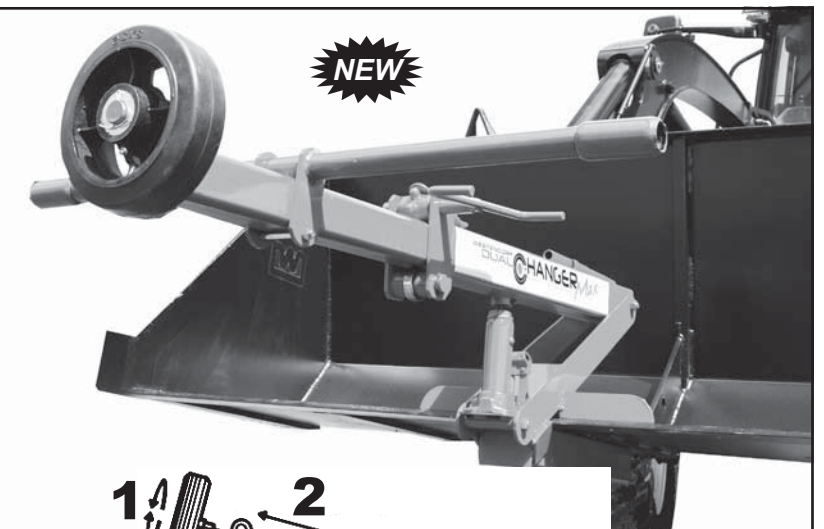
## SPECIALTY BUCKETS AND DUAL CHANGER MAX

### DUAL TIRE CHANGER MAX

Makes Changing Dual Tires a "ONE MAN JOB"

• NO TOOLS • 3 WAY EASY ALIGNMENT

Pick up a dual rim & tire from storage, transport it and mount it on your tractor. Easily align & position tire with 3-way alignment!



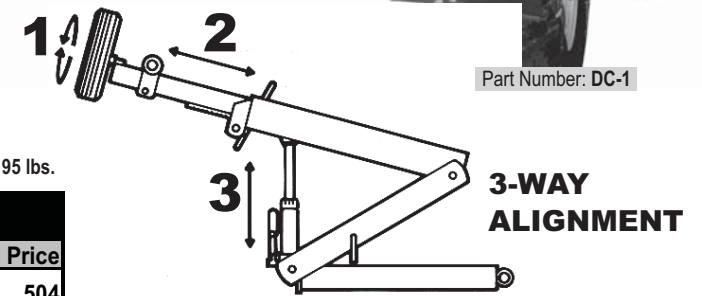
Part Number: DC-1

**SPECIFICATIONS:**

Boom Extension: 16" Jack Extension: 12"-14" Capacity: 900 lbs. Weight: 95 lbs.

### DUAL CHANGER MAX

P/N	Description	Price
DC-1	Dual Tire Changer MAX	504



**3-WAY ALIGNMENT**

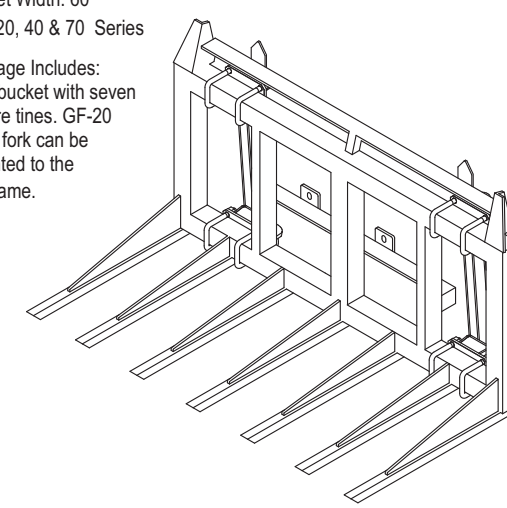
### FORK BUCKET

Part Number: FB-42

Bucket Width: 60"

Fits: 20, 40 & 70 Series

Package Includes: Fork bucket with seven square tines. GF-20 grab fork can be mounted to the top frame.

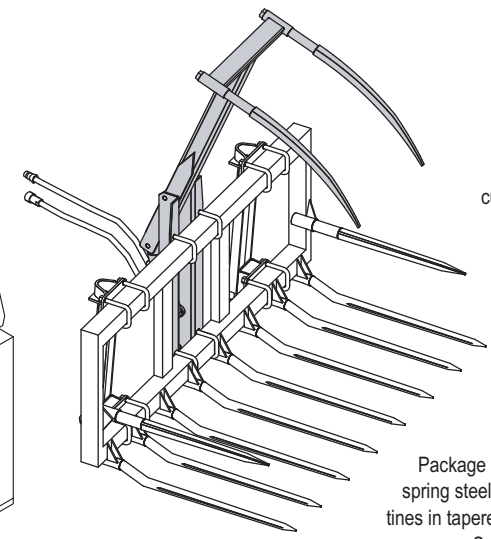


### SABRETOOTH

Part Number: GF-32

Fits: Tine Bucket

Package Includes: Sabretooth with two high tensile, forged, curved teeth and 16' & 18' hoses or option A: Steel line hose kit.



### TINE BUCKET

Part Number: TB-38

Fits: 20, 40 & 70 Series

Package Includes: Tine bucket with eight spring steel off-set tines and 2 straight side tines in tapered bushings. Show with GF-32 Sabretooth mounted to top frame.

## SPECIALTY BUCKETS & OPTIONS

FORK/TINE BUCKETS		PRICE
TB-38	Tine Bucket	1,441
FB-42	Fork Bucket	1,075
GF-32	Sabretooth for Tine Bucket	778
ADAPTER OPTIONS		PRICE
C-2 / C-3	Snap-Attach Adapters	INC
C-56	Euro Adapter - 1	Add 250
C-66	Euro Adapter - 2	Add 290
C-19	Skid Steer Adapter	Add 250

WL SERIES	TA SERIES										XTA SERIES	CUSTOM CONTOUR	FREEDOM MOUNT	MAX SERIES													
WL-21	WL-27	WL-42 / 44	WL-61 / 64	TA-25	TA-26	TA-26 Plus	TA-26-12	TA-28	TA-28 Plus	TA-29	TA-45	TA-46	TA-48	TA-76	TA-77	XTA-400	XTA-700	CC-330	CC-360	CC-370	FM-540	FM-550/660	FM-570	FM-580	FM-585	MAX420	MAX440
•	•	•	•	•	•	•	•	•	•	•	•	•	•	•	•	•	•	•	•	•	•	•	•	•	•	•	•



HYDRAULIC PACKAGES

Buy Westendorf Hydraulic Valve & Joystick packages to fit your needs & budget. The Precision Valve and Joystick Packages (right) are pre-assembled for your convenience. A new addition, the Level UP hydraulic advantage (pg 41), is also offered pre-assembled into the Package. For the ultimate Hydraulic Valve, consider the Programmable Electronic Joystick (below).



JOHN DEERE								
TRACTOR	LOADER SELECTION		MOUNTING BRACKETS		HYD			
MODEL	WD	FIT	LOADER MODEL	FOOTNOTES	BRKT KIT	PACKAGE PRICE	REAR AXLE KIT	VALVE JOYSTICK PKG
<b>4020</b>								
2	WL-27	AQ	JD2A	7,994	460	A4		
2	WL-42	AQ-BV	JD2A	9,225	598	A4		
2	WL-61		61JD2	10,837	460	A4		
2	TA-26	AQ	JD2A	7,272	460	A4		
2	TA-26 Plus	AQ	JD2A	7,772	460	A4		
2	TA-28		JD2A	9,272	575	A4		
2	TA-28 Plus		JD2A	9,772	575	A4		

▲ Standard Stock Mounting Bracket  
 □ Recommended Fit(s)  
 ▲ Footnotes See Inside Back Cover  
 ▲ Bracket Mounting Kit Number  
 ▲ Complete Loader Pkg. Price  
 ▲ Rear Axle Kit  
 ▲ Optional Valve Joystick Package

DIRECT PLUMB KITS

Ask about the kits available for some tractors that allow quick access to your tractor's hydraulic system. If you'd like to order a direct plumb kit, please check its availability and price with your sales representative when you place your loader order.

The optional valve and joystick package is listed in the bracket chart (pages 69-166) under the specific tractor and loader model. Refer to the HYD. column and use the matrix below to price the package.

NOTE: Please identify the tractor's hydraulic system as open center, closed center or pressure flow compensated (load sensing) before calling to place your order.

	1	2	3	4	5	6	
<b>OC/CC - Open Center/Closed Center</b>							
Spool Valve	VALVE with HANDLES and Mounting Kit	VALVE with DIRECT JOYSTICK Inc. Mounting Kit	VALVE with REMOTE CABLE JOYSTICK Inc. Mounting Kit	PRECISION VALVE with PRECISION REMOTE JOYSTICK Includes Mounting Kit	PRECISION VALVE with LEVEL-UP PREASSEMBLED & READY TO USE Includes Mounting Kit	ALL ELECTRONIC VALVE with ELECTRONIC JOYSTICK Includes Mounting Kit	CHOOSE JOYSTICK MOUNTING KIT Fender or Floor Mount
A	2 OC/CC	\$718	\$825	\$1292	\$1382	\$1658	 FLOOR MOUNT
B	3 OC/CC	\$864	\$967	\$1721	\$1924	\$2201	
<b>PFC - Pressure Flow Compensated</b>							
C	2 PFC			\$2272	\$2551	\$6566	 FENDER MOUNT
D	3 PFC			\$2631	\$2905	\$6899	

HOW TO CHOOSE A BRUSH CRUSHER FOR YOUR WESTENDORF LOADER

Refer to the dot charts on the following pages to determine which models will work on your Westendorf loader. There are two types of units, a mechanical option and hydraulic option. Both styles may fit your loader; the best choice is determined by the tractor and types of tasks at hand.

The mechanical models DO NOT need to have access to a 3rd function, there are no cylinders on the mechanical brush crushers. They utilize the bucket cylinders of the loader to open and close. This is a great option for older loaders and tractors that have limited hydraulic ports on the tractor. You can just snap-in and get to work without changing the hydraulics.

The hydraulic models are ideal for the customer that already has a 3rd function set up on his loader/tractor or someone that plans to use the attachment weekly, such as a tree service. The hydraulic brush crushers retain the ability to tilt the load instead of using the tilt to open and close the units. These also offer quick-attach units for all series Westendorf loaders and skid-steers.

BRUSH CRUSHER FIT FOR OTHER BRAND LOADERS

Refer to the fit list below to determine which Brush Crusher model fits your loader. You'll need to reference the model number of your NON-Westendorf loader, not the tractor model. If your loader is self-leveling, you need to inform us at the time of the order. We fit new models daily, so if you don't see your loader model listed, contact us. You can request a new fit by submitting dimensions of your loader. This is available from a customer service representative.

Loader	BC Model
<b>AGCO</b>	
460	BC-4000
SL-46	BC-3000
<b>ALLIED</b>	
250	BC-3000
594	BC-3000
795	BC-4000
<b>ALO</b>	
Q-340	BC-4000
<b>AMERQUIP</b>	
NT620	BC-3000
<b>BUSH HOG</b>	
1845QT	BC-3000
2045	BC-4000
2400QT	BC-4000
2426QT	BC-4000
2446QT	BC-4000
2896QT	BC-6000 / C-15
2896QT	BC-7000
4000	BC-3000
M446	BC-4000
<b>CASE</b>	
60XT	BC-7000
65	BC-4000
70	BC-5000 / C-15
480 Backhoe	BC-4000
580E Backhoe	BC-5000 / C-15
L-130	BC-3000
L-160	BC-4000
L-300	BC-6000 / C-15
LX-116	BC-4000
<b>DEUTZ</b>	
465	BC-5000
<b>DUAL / WOODS</b>	
195	BC-3000
<b>FARM TRAC / LONG</b>	
5140M	BC-3000
5340	BC-4000
5440M	BC-5000 / C-15

Loader	BC Model
<b>FORD</b>	
555B Backhoe	BC-5000 / C-15
745	BC-4000
7109	BC-4000
7209	BC-4000
<b>FREEMAN</b>	
4000	BC-4000 / C-15
4000	BC-5000
<b>FREY</b>	
ML280	BC-4000
<b>GREAT BEND</b>	
880WM	BC-5000 / C-15
900	BC-4000
900	BC-5000 / C-15
<b>HARDY</b>	
763	BC-5000 / C-15
<b>HESSTON</b>	
I-330	BC-4000
<b>INTERNATIONAL</b>	
50	BC-3000
2250	BC-5000 / C-15
2350	BC-5000
<b>JOHN DEERE</b>	
51	BC-3000
67	BC-3000
70 & 70A	BC-3000
80	BC-4000
80	BC-5000 / C-15
146	BC-4000
148	BC-4000
148	BC-5000 / C-15
158	BC-4000
175	BC-4000
175	BC-5000 / C-15
300	BC-4000

Loader	BC Model
<b>JOHN DEERE continued</b>	
300CX	BC-5000 / C-35
300X	BC-5000 / C-15
400X	BC-4000
410	BC-4000
419	BC-4000
420	BC-4000
430	BC-4000
430	BC-5000 / C-15
440	BC-4000
460	BC-4000
510	BC-4000
510	BC-5000 / C-15
512	BC-4000
512	BC-5000
521	BC-5000 / C-15
540	BC-4000
540SL	BC-5000 / C-15
541	BC-4000
542	BC-5000 / C-35
620	BC-4000
640	BC-4000
725	BC-5000 / C-15
740	BC-4000
5510	BC-4000
<b>KELLY</b>	
800	BC-4000
<b>KIOTI</b>	
K130	BC-4000
KL128	BC-3000
KL130	BC-4000
KL1230	BC-6000 / C-15
<b>KMW</b>	
ML-112-D	BC-3000
<b>KOYKER</b>	
80	BC-4000
160	BC-3000
545	BC-5000 / C-15

Loader	BC Model
<b>KUBOTA</b>	
24	BC-3000
2710	BC-3000
BF-500	BC-4000
L681	BC-6000 / C-15
L681	BC-7000
L1769	BC-4000
LA-302	BC-3000
LA-402	BC-3000
LA-403	BC-3000
LA-452S	BC-3000
LA-463	BC-4000
LA-480	BC-4000
LA-481	BC-3000
LA-482	BC-4000
LA-504	BC-4000
LA-513	BC-4000
LA-514	BC-4000
LA-680	BC-4000
LA-681	BC-4000
LA-703	BC-4000
LA-723	BC-3000
LA-853	BC-4000
LA-950	BC-5000 / C-15
LA-1153	BC-8000 / C-15
LA-1251	BC-5000 / C-15
LA-4682	BC-3000
LA-4682	BC-4000
M1830	BC-4000
M1830	BC-5000 / C-15
<b>LONG</b>	
5140M	BC-3000
5300	BC-4000
5340	BC-4000
5440	BC-5000
5440M	BC-5000 / C-15
<b>MAHINDRA</b>	
ML106	BC-3000
ML112	BC-4000
ML112D	BC-4000
ML115	BC-4000
ML205	BC-3000

Loader	BC Model
<b>MASSEY FERGUSON</b>	
236	BC-4000
246	BC-5000 / C-15
932	BC-4000
1032	BC-5000 / C-15
1055	BC-5000 / C-15
1070	BC-4000
1070	BC-5000 / C-15
1466	BC-3000
1466	BC-4000
Industrial	BC-4000
<b>MEMO</b>	
ML-500	BC-4000
ML-500	BC-5000 / C-15
<b>NEW HOLLAND</b>	
14LA	BC-4000
16LA	BC-4000
18LA	BC-4000
7308	BC-4000
<b>PRAIRIE DOG</b>	
7 1/2	BC-5000 / C-15
<b>RHINO</b>	
2408TL	BC-3000
<b>TYM</b>	
TL-200	BC-3000
TL-200	BC-4000
<b>WHITE</b>	
1710	BC-5000 / C-15
<b>WOODS</b>	
1009	BC-4000
1009	BC-5000 / C-15
<b>ZETOR</b>	
102	BC-4000
C-50	BC-4000

Some other brand loaders will require a conversion to Westendorf Snap-Attach™ system. These models are identified by C-15 reference in chart. See pg. 46.

VIEW VIDEOS...

Visit [www.brushcrushers.com](http://www.brushcrushers.com) to view the complete assortment of Brush Crusher videos.



YOUR LOADER MODEL MISSING?

We fit new models daily, please call to inquire about a custom fit or download a dimension sheet online to submit your fit request.

If you cannot find the tractor that you wish to mount, please call. We fit new tractors daily. All prices and price classes are subject to change without notice.

If you cannot find the tractor that you wish to mount, please call. We fit new tractors daily. All prices and price classes are subject to change without notice.





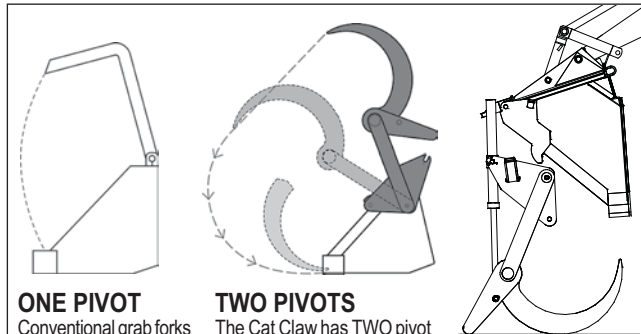


# CAT CLAW 3-D GRAB FORK

## CAT CLAW 3-D GRAB FORK for Large Capacity Buckets

The Cat Claw has compound capabilities, multiple movements and triple actions. The V-shaped curved teeth have a distinctive tapered design and built-in bracing to handle increased side pressures and resist twisting. Quick dismount is tool-free and fast.

### THREE-DIMENSIONAL ACTION



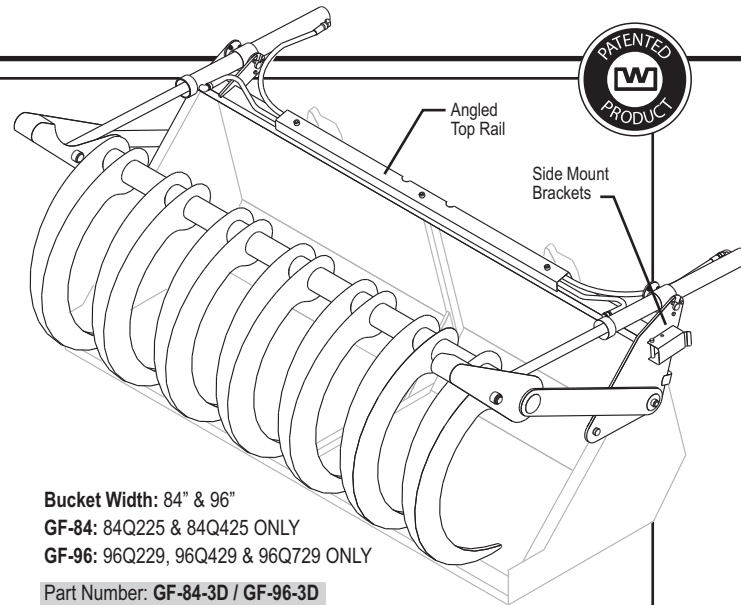
#### ONE PIVOT

Conventional grab forks have ONE pivot point, allowing user to trap material in the bucket.

#### TWO PIVOTS

The Cat Claw has TWO pivot points to allow better reach past the bucket's front edge to pull material into bucket.

#### POWER-MOUNT POSITION



Bucket Width: 84" & 96"  
**GF-84:** 84Q225 & 84Q425 ONLY  
**GF-96:** 96Q229, 96Q429 & 96Q729 ONLY

Part Number: **GF-84-3D / GF-96-3D**

Package Includes: Hydraulic Quick-Tach Cat Claw, bucket hooks, two cylinders, 16' and 18' hoses or option A: Steel line hose kit.

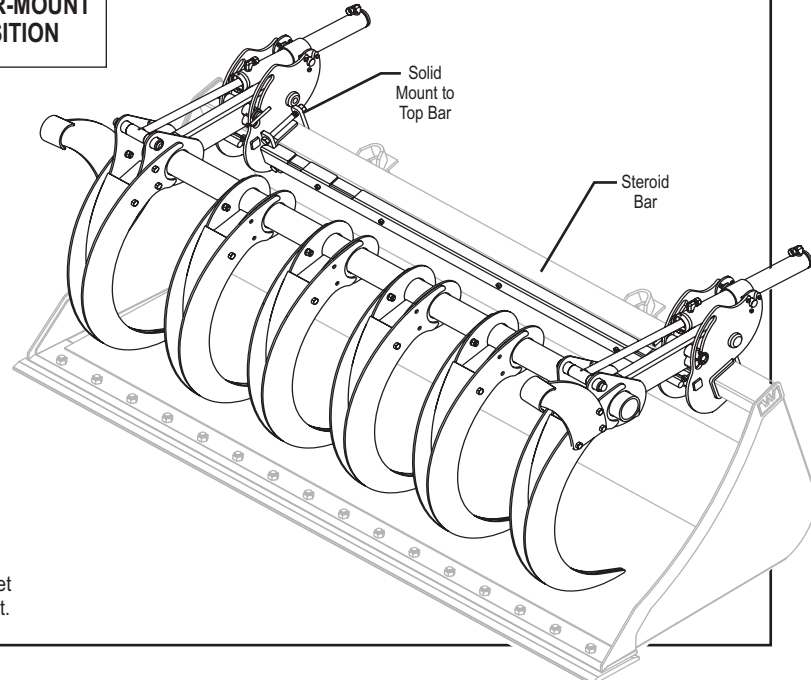
## CAT CLAW 3-D GRAB FORK for No-Rib Buckets with Steroid Bar

This Cat Claw grab fork offers many of the same features with its TWO pivot point design and dual cylinder power. Teeth are bolt-on and replaceable. Designed for bigger loaders, bigger buckets commonly found the Freedom Mount Loaders and Heavy Duty High Capacity buckets.

Bucket Width: 84" & 96" or larger  
**GF-184:** 84" or larger buckets with Steroid Bar  
**GF-196:** 96" or larger buckets with Steroid Bar

Part Number: **GF-184-3D / GF-196-3D**

Package Includes: Stationary Cat Claw with replaceable teeth, bucket hooks, two cylinders, 16' and 18' hoses or option A: Steel line hose kit.



## GRAB FORKS

Westendorf's patented Power-Mount™ Grab Forks make switching to a grab fork nearly effortless. In just minutes you can mount or dismount them without the use of tools.

GRAB FORK ATTACHMENTS	PRICE	WL SERIES		TA SERIES							XTA SERIES		CUSTOM CONTOUR		FREEDOM MOUNT				MAX SERIES										
		WL-21	WL-27	WL-42 / 44	WL-61 / 64	TA-25	TA-26	TA-26 Plus	TA-26-12	TA-28 Plus	TA-29	TA-45	TA-46	TA-48	TA-76	TA-77	XTA-400	XTA-700	CC-330	CC-340	CC-360	CC-370	FM-540	FM-550/560	FM-570	FM-580	FM-585	MAX420	MAX440
GF-20 Jiffy Monster Grab Fork	1,491	•	•			•	•																						
GF-28 Monster Grab Fork	2,237																												(1)
GF-51 Monster Grab Fork	1,964			•	•																								(1)
GF-52 Monster Grab Fork	2,237			•	•																								(1)
GF-64 Quick Mount Claw Grab Fork	2,299																												
GF-84-3D 84" Triple Action Cat Claw	2,705																												
GF-96-3D 96" Triple Action Cat Claw	3,045																												
GF-184-3D 84" Cat Claw 3D Grab Fork	3,376			(2)	(2)				(2)	(2)	(2)	(2)	(2)	(2)	(2)	(2)	(2)												
GF-196-3D 96" Cat Claw 3D Grab Fork	3,716			(2)	(2)				(2)	(2)	(2)	(2)	(2)	(2)	(2)	(2)	(2)												

### ADAPTER OPTIONS

ADAPTER OPTIONS	PRICE
C-2 / C-3 Snap-Attach Adapters	INC
C-56 Euro Adapter - 1	Add 250
C-66 Euro Adapter - 2	Add 290
C-19 Skid Steer Adapter	Add 250

(1) Requires 90" Bucket (2) When equipped with HDHC Bucket

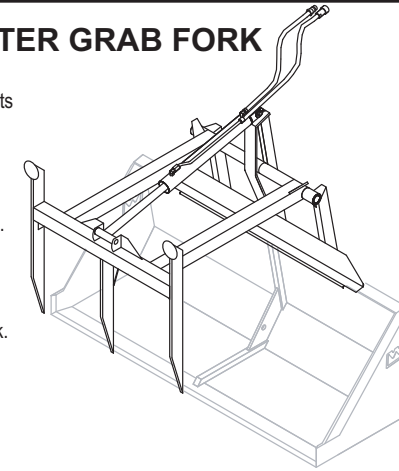
See pg. 57

# POWER-MOUNT™ GRAB FORKS

## JIFFY MONSTER GRAB FORK

Part Number: **GF-20**  
 Fits: 21 & 26 Style Buckets

Package Includes: Jiffy Monster Grab Fork and 16' & 18' hoses or Opt. A: Steel line hose kit. It has three straight teeth and quick-attach. Just hook over the angle iron and bolt to hooks on back.



## MONSTER GRAB FORK

Part Number: **GF-51**  
 Fits: 40 & 70 Series Buckets

Package Includes: Monster Grab Fork and a 16' & 18' hose or option A: steel line hose kit. It offers quick attach, and has a single lever clamping action. Comes with four replaceable straight teeth.

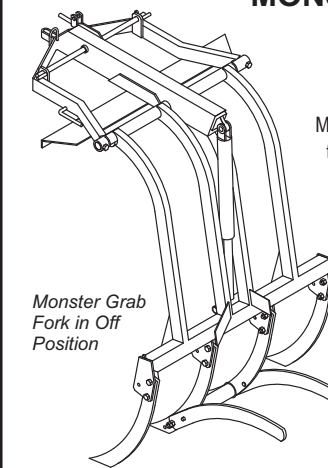


Westendorf Grab Forks are Quick On & Off

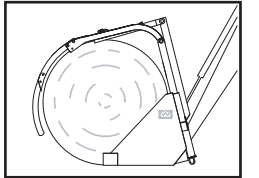
## MONSTER GRAB FORKS

Part Number: **GF-28**  
 Fits: Large 20 Series Buckets

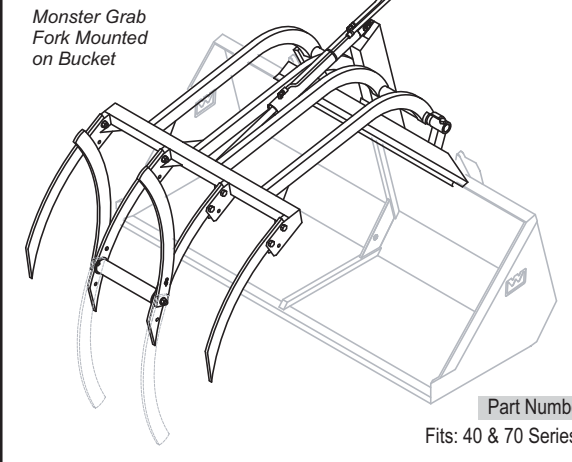
Package Includes: Monster Grab Fork, 4 replaceable curved teeth w/extensions and a 16' & 18' hose or Option A: Steel line hose kit.



Monster Grab Fork in Off Position



**ADJUSTABLE TEETH**  
 Center teeth on the grab fork act as the stand when rotated back or can be rotated forward to wrap around large round bales.

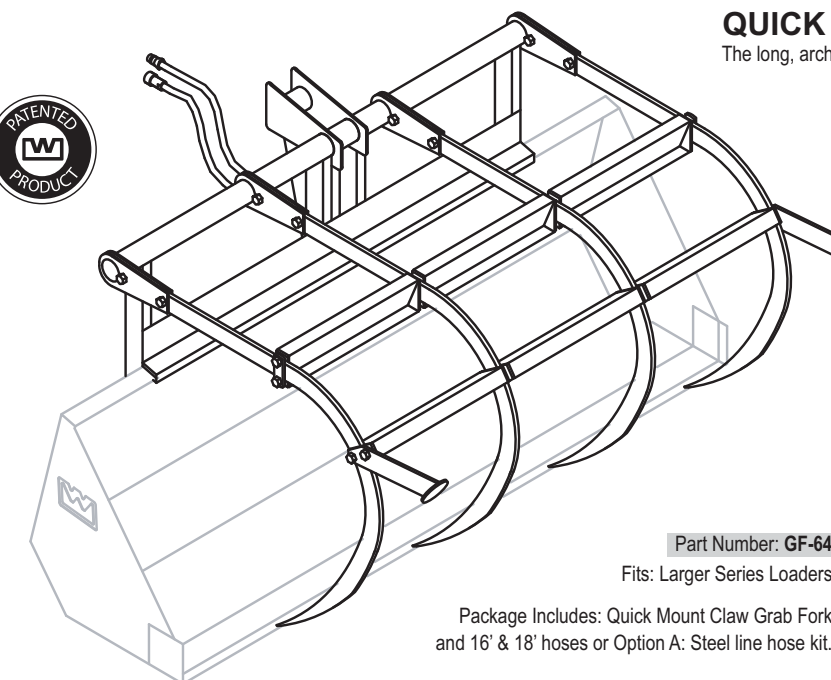


Monster Grab Fork Mounted on Bucket

Part Number: **GF-52**  
 Fits: 40 & 70 Series Buckets

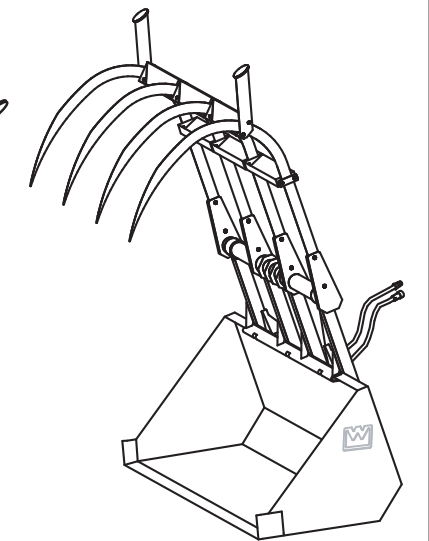
## QUICK MOUNT CLAW GRAB FORK

The long, arched teeth that open extremely wide are sharp enough to penetrate a round bale easily. The Quick-Attach fork is secured with four wing handles on the back.



Part Number: **GF-64**  
 Fits: Larger Series Loaders

Package Includes: Quick Mount Claw Grab Fork and 16' & 18' hoses or Option A: Steel line hose kit.

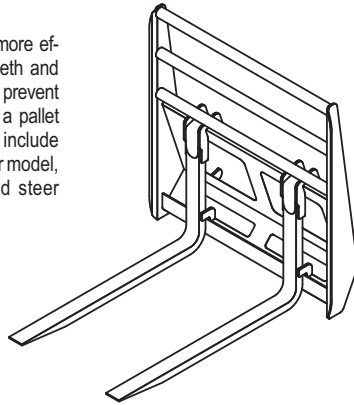




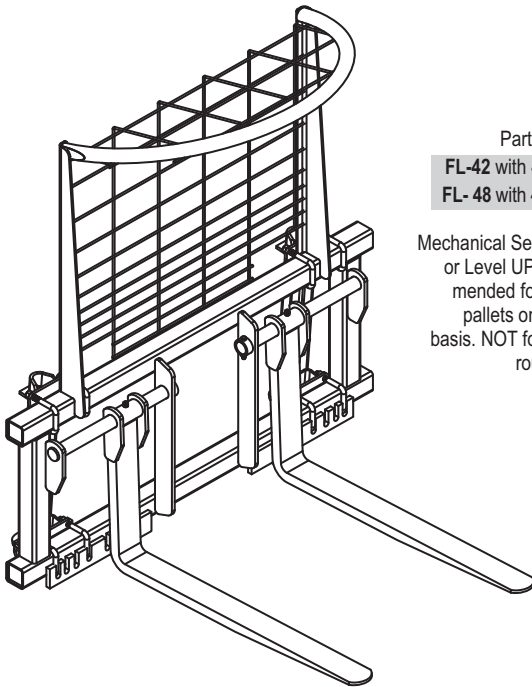


**FORK LIFTS**

Carry pallets and heavy items more efficiently with different length teeth and built-in spill guards. Short teeth prevent the forks from sticking through a pallet or adjacent materials. Forklifts include the quick-coupler for your loader model, and pin style brackets or skid steer adaptable brackets.



For 100 Series Loaders  
Part Number:  
**FLM-42/FLA-42**

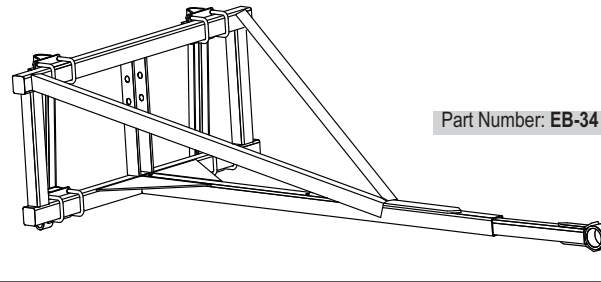


Part Number:  
**FL-42 with 42" Teeth**  
**FL-48 with 48" Teeth**

Mechanical Self-Leveling or Level UP is recommended for handling pallets on a regular basis. NOT for use with round bales.

**EXTENDABLE BOOM**

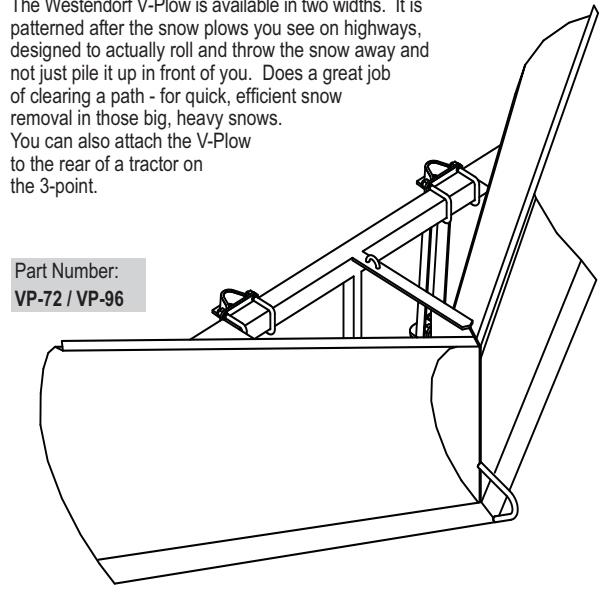
This multi-use tool is a must around the yard. Move many items quickly and easily. Comes standard with quick attach C-3 coupler that works with Westendorf's patented Snap-Attach™ system. Easily adjusts to multiple lengths from 97" to 114".



Part Number: **EB-34**

**V-PLOWS**

The Westendorf V-Plow is available in two widths. It is patterned after the snow plows you see on highways, designed to actually roll and throw the snow away and not just pile it up in front of you. Does a great job of clearing a path - for quick, efficient snow removal in those big, heavy snows. You can also attach the V-Plow to the rear of a tractor on the 3-point.



Part Number:  
**VP-72 / VP-96**

**LIFT & CARRY BLADES, V-PLOWS & SNOW SCRAPERS**

**FORK LIFT ATTACHMENTS**

	PRICE
FLA-42 Fork Lift w/42" Teeth	997
FLM-42 Fork Lift w/42" Teeth	997
FL-42 Heavy Duty Fork Lift w/42" Teeth	1,408
FL-48 Heavy Duty Fork Lift w/48" Teeth	1,498

**EXTENDABLE BOOM**

EB-34 Extendable Boom	1,016
-----------------------	-------

**DOZER BLADES & V-PLOWS**

DB-60 60" Dozer Blade	530
DB-84 84" Heavy Duty Dozer Blade	1,207
DB-96 96" Heavy Duty Dozer Blade	1,340
DB-120 120" Heavy Duty Dozer Blade	2,015
VP-72 72" V-Plow	1,327
VP-96 96" V-Plow	1,624

**SNOW SCRAPER - BOX BLADE**

SBB-5 60" Snow Scraper	585
SBB-6 72" Snow Scraper	738
SBB-8 96" Snow Scraper	2,599
SBB-10 120" Snow Scraper	2,898
SBB-12 144" Snow Scraper	3,315

**ADAPTER OPTIONS**

	PRICE
C-2 / C-3 Snap-Attach Adapters	INC
C-56 Euro Adapter - 1	Add 250
C-66 Euro Adapter - 2	Add 290
C-19 Skid Steer Adapter	Add 250

	100 SERIES	WL SERIES	TA SERIES	XTA SERIES	CUSTOM CONTOUR	FREEDOM MOUNT	MAX SERIES
TA-52 & 55							
TA-111							
TA-140							
TA-160							
TA-170							
TA-175							
TA-180							
TA-185							
WL-21							
WL-27							
WL-42 / 44							
WL-61 / 64							
TA-25							
TA-26							
TA-26 Plus							
TA-26-12							
TA-28							
TA-28 Plus							
TA-29							
TA-45							
TA-46							
TA-48							
TA-76							
TA-77							
XTA-400							
XTA-700							
CC-330							
CC-340							
CC-360							
CC-370							
FM-540							
FM-550/560							
FM-570							
FM-580							
FM-585							
MAX420							
MAX440							

See pg. 61

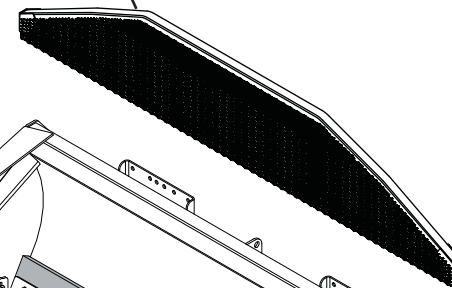
**NEW SNOW SCRAPER™**

The Snow Scraper is commonly referred to as a containment plow, snow pusher or box style plow. It is designed to mount on the front of your loader or skid-steer to move snow quickly from areas such as driveways, streets, parking lots, commercial lots without leaving windrows.

Part Number: **SBB-5**  
Part Number: **SBB-6**  
Fits: 100 Series



**TOP EXTENSION**



**SIDE MOUNT SKID KIT**

**POLY BLADE**

Part Number: **SBB-8, SBB-10, SBB-12**

Features a curved, rib-free interior to roll material forward into a large heap. Standard: Hardened steel cutting edge, Skid-Kit & Snap-Attach™ adapters. Add-On Options: Poly Blade and Top Extension.

**SNOW SCRAPER**

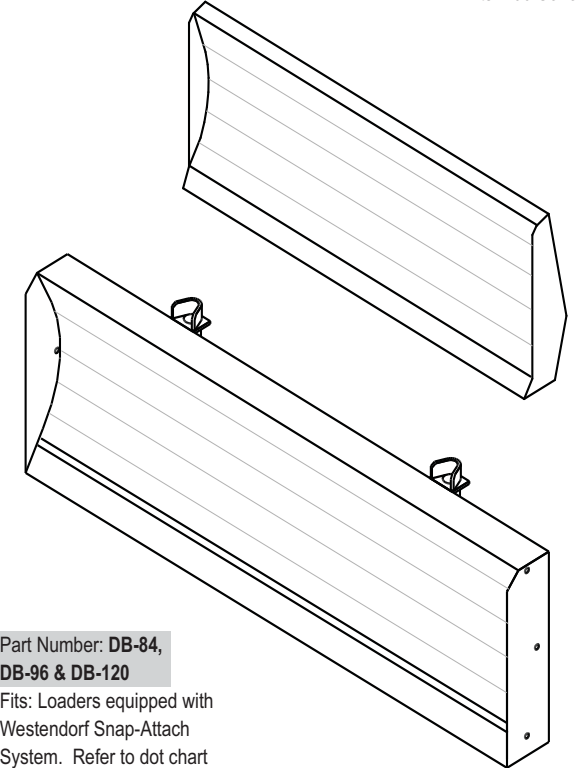
P/N	Width	Fits Buckets	Price
SBB-5	60"	60" Snow Scraper (100 Series Only)	585
SBB-6	72"	72" Snow Scraper (100 Series Only)	738
SBB-8	96"	96" Snow Scraper Includes Skid Kit	2,599
SBB-8TC	96"	96" Snow Scraper w/Top Extension	2,901
SBB-8P	96"	96" Snow Scraper w/Poly Blade	3,285
SBB-8P-TC	96"	96" Snow Scraper w/Poly Blade and Top Extension	3,714
SBB-10	120"	120" Snow Scraper Includes Skid Kit	2,898
SBB-10TC	120"	120" Snow Scraper w/Top Extension	3,253
SBB-10P	120"	120" Snow Scraper w/Poly Blade	3,783
SBB-10P-TC	120"	120" Snow Scraper w/Poly Blade & Top Extension	4,266
SBB-12	144"	144" Snow Scraper Includes Skid Kit	3,315
SBB-12TC	144"	144" Snow Scraper w/Top Extension	3,728
SBB-12P	144"	144" Snow Scraper w/Poly Blade	4,402
SBB-12P-TC	144"	144" Snow Scraper w/Poly Blade & Top Extension	4,943
DB-810		Skid Kit Only Add-On	166
C-19		Skid Steer Adapter Conversion	250

**DOZER BLADES**

Westendorf dozer blades are built with the heavy-duty user in mind. Choose from the dozer blade designed for the smaller loader up to the 120" wide blades for the larger loaders.

All blades are built with a solid, one-piece shell design. It has a 1/2" x 6" blade with wear bars on the bottom. Excellent for clearing snow, packing silage and heavy dirt work.

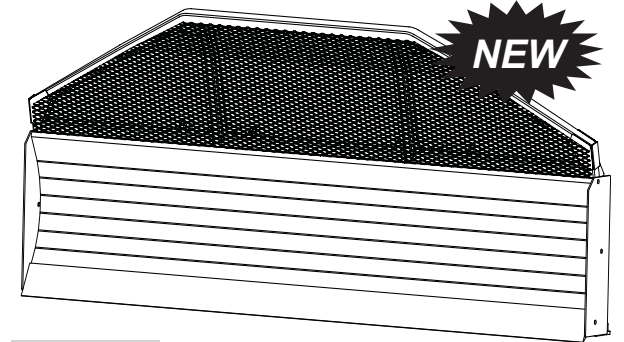
Part Number: **DB-60**  
Fits: 100 Series



Part Number: **DB-84, DB-96 & DB-120**  
Fits: Loaders equipped with Westendorf Snap-Attach System. Refer to dot chart for recommended models.

**TOP EXTENSION OPTION**

Westendorf dozer blades are now available with an optional top extension to increase capacity.



Part Number: **TC**  
Fits: 84", 96" & 120" Dozer Blades

**TOP EXTENSION OPTION**

P/N	Description	Price
TC	Add-On Top Extension	504





**NOW IN 3 SIZES!**

**COOL CAP™ - DESIGNER TRACTOR CANOPY**

Tractor Matching Colors: White, Gray, Orange, Yellow, Green, Blue and Red. Custom colors available upon request.  
 Package Includes: Canopy, Protective Rubber Edging, Safety Reflectors and Heavy Duty Mounting Brackets

This canopy has a distinctive shape and clean automotive finish. Its high gloss, patented iso-ceramic finish provides a durable, UV resistance that minimizes sun fading. Available in many colors and custom colors to compliment your tractor. Includes reflector package.

- **Helps Protect Against Skin Cancer**
- **Stay Cool in the Shade**
- **Economical** • **Attractive Design**
- **Clean Automotive Finish**

COOL CAP TRACTOR CANOPY		
P/N	Description	Price
SMALL	Cool Cap Canopy - 36" x 42"	437
LARGE	Cool Cap Canopy - 45" x 52"	581
X-LARGE	Cool Cap Canopy - 57" x 64"	730
BRACKET CONFIGURATIONS		
LOW-PRO	Low-Profile Mounting Bracket	INC
EASY-OFF	Easy-Off Mounting Bracket	74

**LOW-PROFILE BRACKET**

Install the Cool Cap™ tractor canopy with this low-profile fixed mounting bracket. The universal bracket design fits most foldable and stationary ROPS.

**EASY-OFF BRACKET**

Remove and install canopy in just minutes without the use of tools. The quick release spring lock ensures functionality & versatility. Fits most foldable & stationary ROPS.



**ALL-HYDRAULIC DUMP SPREADER Package Price: \$20,171 P/N: DSW-270**

Package Includes: Dump Spreader, Electronic Flow Control, Quick Mount Hitch, Support Stand, Built-In Splash Guard, Rims & Tires

The first all-hydraulic spreader on the market has a simple design and a versatility that makes it the obvious solution when spreading liquid or semi-liquid materials.

The electronic control allows operation from the comfort of the cab with an easy-to-adjust dial that regulates the dump speed in relation to expeller speed.

Dual action expellers scoop and spread material approximately 20'. The box has a smooth interior and is continuously welded for strength, durability and no leaks. Material moves fast on the super-slick industrial grade finish.

It doesn't have a rear gate with seals or tracks that can leak, chains that can break or aprons that can freeze-up, even in the coldest of climates.

The patented dump motion centers the load over the wheel base. As a result, the spreader remains balanced and steady.

It can be used for many applications, not just manure. It will work great as a dump box to haul snow, sand, wood chips, liquid tobacco waste, lime and more.

It quickly mounts on any 3-point hitch. The tongue has a built-in support stand. Struck capacity is 270 cu. ft. or 2000 gallons.

**BUILT-IN STAND**

Includes a sturdy support stand to store unit when not in use, and it swings out of the way for transport.

**PATENTED DUMP MOTION**

Unique patented dump motion keeps center of gravity low for steady operation over all types of terrain.

**STANDARD SPLASH GUARD**

Keeps material from splashing back at the tractor during transport.

**DUAL EXPELLERS**

Dual action expellers are hydraulically driven to provide an aggressive and consistent spreading pattern.



**No Aprons or Chains**

**Electric Dump**

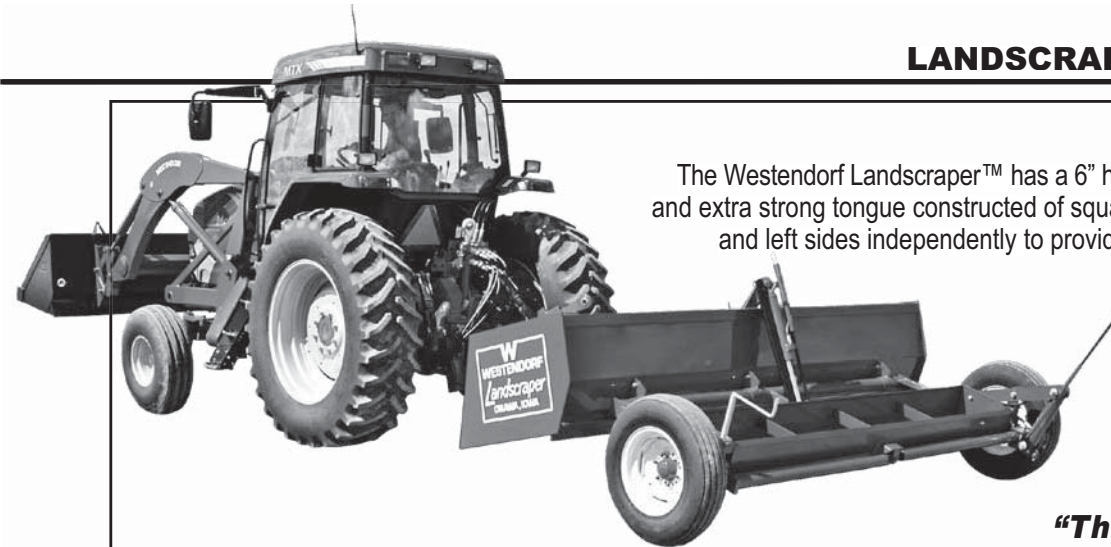
**NEW**



**QUICK MOUNT**

3-point mounting hitch keeps spreader level and offers a universal fit.

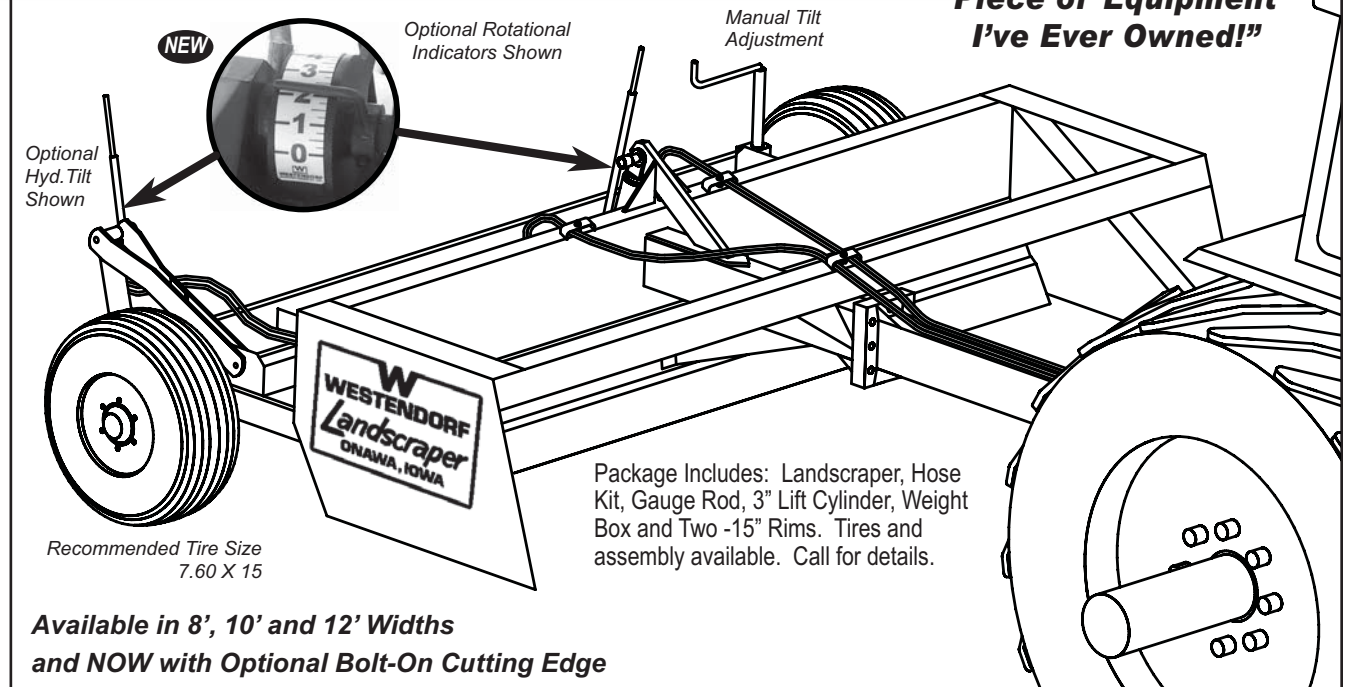
DIMENSIONS	
Inside Box Width	60"
Inside Box Depth	56 1/2"
Overall Height	87"
Overall Height (when tilted up)	174"
Overall Length	224"
Overall Width (w/tires shown)	102"
CAPACITY	
Struck Cu. Ft.	270 cu. Ft.
Struck Cu. Gallons	2000 gal.
WEIGHT	
Load (Max recommended)	12 tons
Shipping (empty)	4500 lbs
HYDRAULICS	
Add PFC components	\$127.00
DRIVE	
Minimum HP Req.	80 HP
Minimum Hydraulic g/m	10gpm
Expeller Speed	80 rpm at 10gpm
EXPELLER	
Spread Width	20'
No. of Expellers	2



**LANDSCRAPER™**

The Westendorf Landscraper™ has a 6" high carbon steel cutting edge and extra strong tongue constructed of square tubular steel. Adjust right and left sides independently to provide 0-12" tilt of the cutting bar. Optional hydraulic tilt cylinder and jack stand for easy hookup.

**“The Most Versatile Piece of Equipment I’ve Ever Owned!”**



Recommended Tire Size 7.60 X 15

Package Includes: Landscraper, Hose Kit, Gauge Rod, 3" Lift Cylinder, Weight Box and Two -15" Rims. Tires and assembly available. Call for details.

Available in 8', 10' and 12' Widths and NOW with Optional Bolt-On Cutting Edge

LANDSCRAPER (includes hoses)			LANDSCRAPER (includes hoses)		
P/N	Description	Price	P/N	Description	Price
WL-8	8' Westendorf Landscraper	3,550	T076150	Tire 7.60 X 15 (Net Price / Tire)	116
WL-8B	8' Westendorf Landscraper with Bolt-On Blade*	4,175	LS-HYD	Hydraulic Tilt Inc. Gauge Rod & Holder	360
WL-10	10' Westendorf Landscraper	3,915	LAC-15-25	Rotational Level Indicator	73
WL-10B	10' Westendorf Landscraper with Bolt-On Blade*	4,690	LAC-25-17	Rotational Depth Indicator	53
WL-12	12' Westendorf Landscraper	4,130	LS-TL	Jack and Transportation Lock	108
WL-12B	12' Westendorf Landscraper with Bolt-On Blade*	5,000	*Extended lead times may apply - Call		



Part Number: WR-40 Fits: Cat: (2 or 3) 3-points



**AUTO-DUMP**

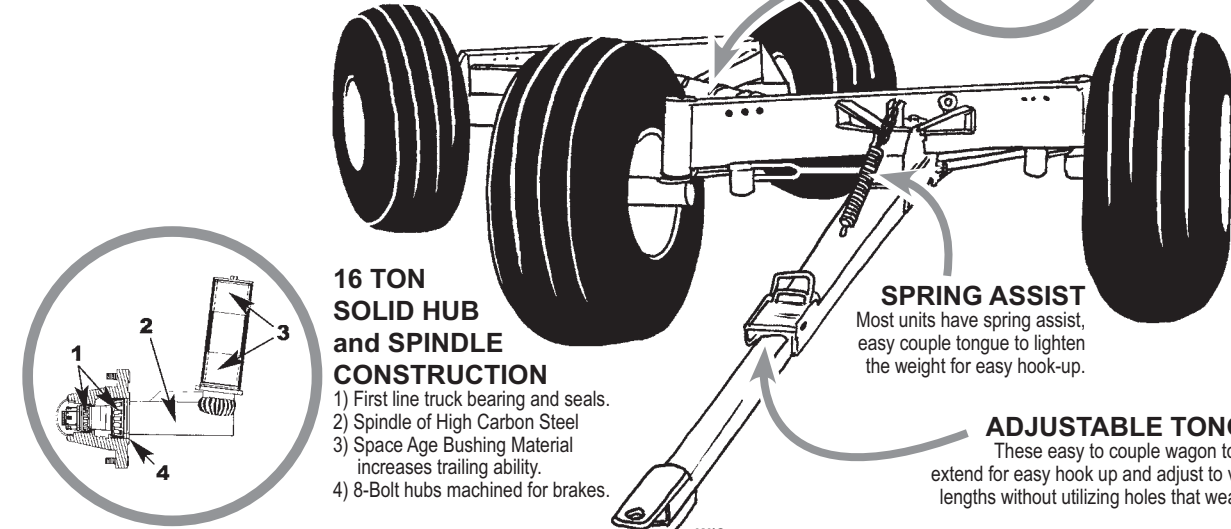
NO Cylinder Wells! The open bucket design allows quick clean out and larger loads. NO 3rd Point Cylinder! This bucket's unique patent allows roll back without adding cylinders. This is a great versatile, all-around-the-yard tool.

AUTO-DUMP WR-40		
P/N	Description	Price
WR-4084	Auto Dump - 84" Bucket Cat. (2 or 3) 3-point	3,683
WR-4096	Auto Dump - 96" Bucket Cat. (2 or 3) 3-point	3,887



**WESTENDORF HEAVY-DUTY WAGON GEARS**

are designed to give you top performance for many years of rugged use. Wagon gears have an extra short turning radius, superior trailing, different tire options, anti-wear bushings, easy coupler tongue, special reach clamp, and the larger models include tongue with spring lift.



**SPECIAL REACH CLAMP**  
Adjustable to various lengths without holes. Adjust it to fit an existing box, hay rack or flatbed. Includes assurance chain.

**16 TON SOLID HUB and SPINDLE CONSTRUCTION**  
1) First line truck bearing and seals.  
2) Spindle of High Carbon Steel  
3) Space Age Bushing Material increases trailing ability.  
4) 8-Bolt hubs machined for brakes.

**SPRING ASSIST**  
Most units have spring assist, easy couple tongue to lighten the weight for easy hook-up.

**ADJUSTABLE TONGUE**  
These easy to couple wagon tongues extend for easy hook up and adjust to various lengths without utilizing holes that weaken it.

**WAGON GEARS**

Wagon Gear	P/N	Spindle	Tread	Price	Price
10 Ton*	WW-1610	1-15/16"	73"	2,042	226
12 Ton*	WW-2012	2-1/4"	75"	2,756	401
14 Ton	WW-2214	2-1/2"	88"	2,930	N/A
14 Ton Tandem	TW-2014	2-1/4"		4,275	401
16 Ton*	WW-2416	3"	79"	3,470	445

\*Please specify stake kit or stake/hinge kit when ordering

**WAGON PACKAGES** includes box

Bushels	P/N	Gear	Price
300	WW-325	10 Ton	5,370
350	WW-H375	12 Ton	7,215
400	WW-H425	12 Ton	7,510
350	WW-L375	14 Ton	7,400
400	WW-L425	14 Ton	7,700
400	WW-T425	16 Ton	8,250

**OPTIONS & UPGRADES**

Description	P/N	Net Price
<b>Hydraulic Surge Brakes</b> - factory installed For models: WW-2012, WW-2214, WW-2416, WW-L425 & WW-H425 This special order item requires extra lead time and is non-cancelable / non-returnable.	HB-100	(Net Price) 1,628
<b>Lift Kit for WW-L425</b> is required w/super single tires	WAC-221	402
<b>Tandem Axle Kit for 8-bolt Hub</b> converts a single axle gear to a tandem gear Package includes a set of two tandem axle kits	TWC-8	1,524

**ADD TIRES**

Description	Part Num	Tire Size	Ply	Tire Rating	Net Price Ea.
<b>New Flotation Tires</b>	T161165	16.5 x 16.1	10	5,500#	394
<b>Regrooved Truck Tires</b>	T110225	11.00 x 22.5	8	6,600#	102
<b>Super Singles*</b>	T150225	15.00 x 22.5	11	8,000#	193

\*When using used super single tires, you must have a rim from 1-13/16" to 1-15/16" negative offset

NOTE: Mounting charges are applicable to install tires on rims and rims on gears.

REMEMBER: The wagon capacity can be limited by the accumulative capacity of the rims and tires.

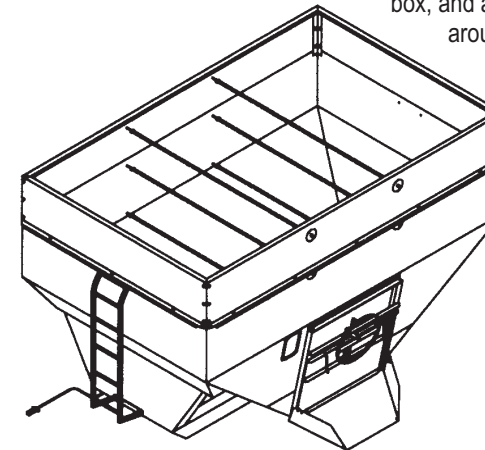
**ADD RIMS**

P/N	6-Bolt	Price Ea.
1566	15.0 x 6	79
1586	15.0 x 8	100
P/N	8-Bolt	Price Ea.
15108	15.0 x 10	178
16118	16.1 x 11	159
2088	20.0 x 8	159
16148	16.1 x 14	206
2288	22.5 x 8.25	206
22138X	22.5 x 13.5 - 1-13/16	476
	2012, 2214, H375, H425 & L425	
22138	22.5 x 13.5	476
	for WW-2416 & WW-T425	

**CAUTION!**  
Do Not Trail Empty Wagon(s) Over 40 MPH, Especially In Pairs.  
Because: (1) Empty wagons bounce. (2) There is no drag on the second unit. (3) Tires and rims in combination aren't balanced. (4) Whip and stopping problems are compounded with speed. SERIOUS DAMAGE MAY RESULT TO YOUR EQUIPMENT THAT COULD ESCALATE INTO MORE SERIOUS PROBLEMS IN TRAFFIC.  
The Tire and Rim Companies Further Limit Speed to 20 MPH.

**WESTENDORF WAGON PACKAGES**

This specially designed box holds up to 400 bushels and features a flow box that empties in about 40 seconds. It has a low profile of 9'1", an easy access ladder with room between the box, and a smooth steel wrap-around-corner for added strength.



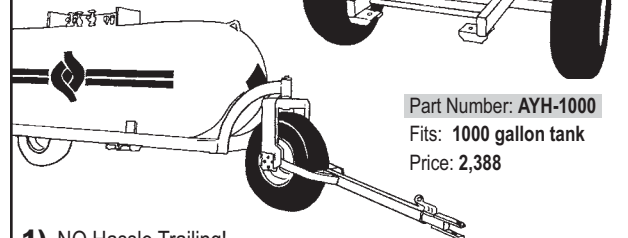
Convenient windows allow you to see how your work is progressing. Brake and directional lights are included for your protection.

- Built-in rocking bolsters
- Computer designed for even load distribution
- Closed formed box resists twisting
- Extra sharp turning radius for flexibility in the field
- Attractive decal package
- Standard with red paint, available with optional tractor matching color

**ANHYDROUS WAGON**



Get the 5th Wheel Trailing Advantage! Reduces the tip-over problem of other anhydrous wagons!



Part Number: AYH-1000  
Fits: 1000 gallon tank  
Price: 2,388

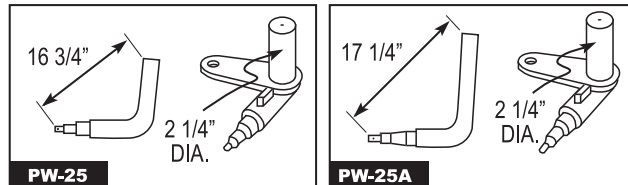
- 1) NO Hassle Trailing!
- 2) Low-Profile design adds stability with 3 points of ground contact.
- 3) NO Climbing! This Westendorf anhydrous wagon positions the tank so low, you can access the hook-ups from the ground.

**WAGON REPLACEMENT PARTS**

WAGONS	Part Number	SPINDLES & HUBS				TIE RODS				TONGUE			Foot Notes
		Front Right Spindle	Front Left Spindle	Rear Spindle	Hub*	Tie Rod Complete	Tie Rod	Rod End	Tie Rod Nut	Tongue Pkg.	Tongue Rear	Tongue Front	
8 TON - 6 bolt hub	WW-16	HW-25AAS-R	HW-25AAS-L	HW-52	WW-16	HW-34COM(73")	HW-34 (73")	HW-37	HFN1414	ECT-16	ET-9AS	ET-1AS	1
10 TON - 6 bolt hub	WW-1610	HW-25AAS-R	HW-25AAS-L	HW-52	WW-16	HW-34COM(73")	HW-34 (73")	HW-37	HFN1414	ECT-16	ET-9AS	ET-1AS	1
12 TON - 8 bolt hub	WW-2012	PW-25EAS-R	PW-25EAS-L	PW-52AS	WW-20	PW-42COM	PW-42	AW-38A	HFN1614	ECT-20	ET-117AS	ET-105AS	2
14 TON - 8 bolt hub	WW-2214	LW-25AAS-R	LW-25AAS-L	LW-52ASUB	WW-20	LW-41COM	LW-41AS	AW-38A	HFN1614	ECT-22	LW-68AS	LW-66AS	
14 TON TANDEM - 8 bolt	TW-2014	PW-25EAS-R	PW-25EAS-L	PW-52AS	WW-20	PW-42COM	PW-42CAS	AW-38A	HFN1614	ECT-20	ET-117AS	ET-105AS	
16 TON - 8 bolt	WW-2416	AW-328BAS-R	AW-328BAS-L	AW-47ASUB	WW-251	AW-42COM	AW-42	AW-38A	HFN1614	ECT-24	ET-217AS	ET-105AS	3

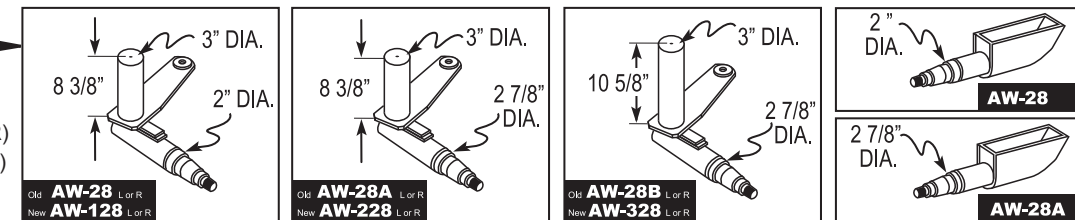
\* To ensure you order the correct replacement hub, check the hub casting for the WW part number.

**1:** Components also offered in 67" width. Identify 73" or 67" when ordering. Tie Rod: HW-35 Rear Spindle: HW-53



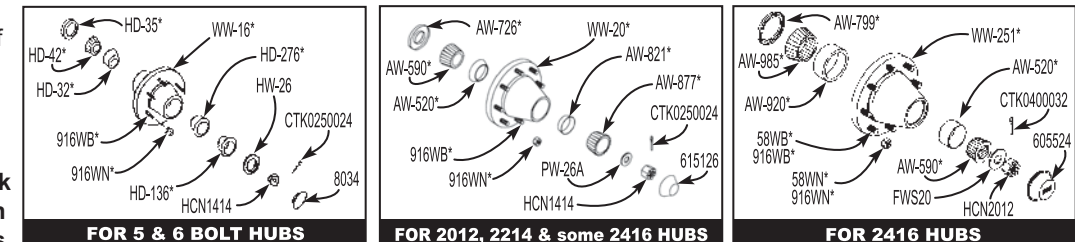
**2:** Two styles of spindles were offered. See Illustrations Front: PW-25AS (L&R) and PW-25EAS (L&R). Get a diagonal dimension before ordering.

**3:** Several spindles were offered.



Front: AW-128AS (L&R)  
AW-228AS (L&R)  
AW-328BAS (L&R)  
Rear: AW-47SUB and AW-47ASUB

**HUBS:** Illustrations of the most popular hubs are listed to the right.



Be sure and check measurements on older gear models.

\* IMPORTANT: Check measurements and numbers on these items for possible differences in your wagon and this years model.



# COMPLETE REPLACEMENT CYLINDERS AND PARTS REFERENCE

100 SERIES LOADERS	BUCKET CYLINDER REFERENCE							LIFT CYLINDER REFERENCE							PINS	DECALS
	Cylinder	Seal Kit	Ram	Barrel	Piston	Gland	Footnote	Cylinder	Seal Kit	Ram	Barrel	Piston	Gland	Footnote		
TA-52 / 54 / 55	B-25	#26CK	L-2510	B-2501	P-F	G-N		L-25	#25CK	L-2510	L-2501	P-G	G-N		PK-1	DEC-55
TA-111	B-15	#8CK	B-1510	B-1501	P-J	G-I	C	L-15	#7CK	L-1510	B-1501	P-C	G-H		PK-2	DEC-111
TA-140	B-15	#8CK	L-1510	B-1501	P-C	G-I	C	L-15	#7CK	L-1510	B-1501	P-C	G-H		PK-3	DEC-140
TA-160	B-9	#7CK	B-910	B-901	P-C	G-H		B-9	#7CK	B-910	B-901	P-C	G-H		PK-4	DEC-160
TA-170	B-41	#7CK	B-4110	B-4101	P-C	G-H		L-40	#7CK	L-4010	L-4101	P-C	G-H		PK-5	DEC-170
TA-175	B-41	#7CK	B-4110	B-4101	P-C	G-H		L-51	#1CK	L-4109	L-5102	P-A	G-A		PK-6	DEC-175
TA-180	B-39	#1CK	B-3910	B-3901	P-A	G-A		L-38	#1CK	L-3810	L-3801	P-A	G-A		PK-7	DEC-180
TA-185	B-48	#39CK	B-3910	B-4801	P-A	G-X		L-52	#39CK	L-3810	L-5201	P-A	G-X		PK-8	DEC-185

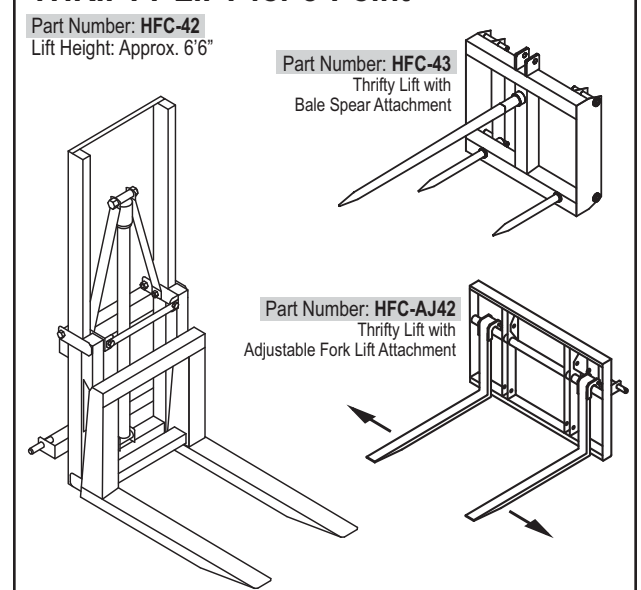
# CYLINDER PARTS (CONT.) HITCH-N-GO™ AND 3 PT. ATTACHMENTS

## ATTACHMENT & ACCESSORY CYLINDERS

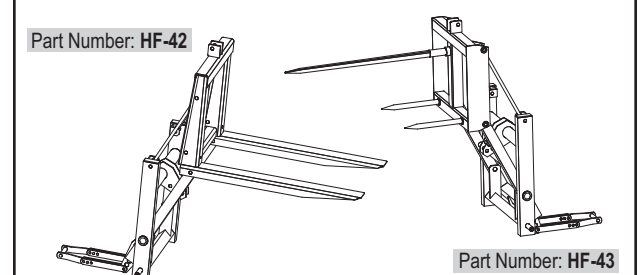
PRODUCT	Part No.	CYLINDER REFERENCE						
		Cylinder	Seal Kit	Ram	Barrel	Piston	Gland	Opt.
Jiffy Monster Grab Fork	GF-20	B-1	#1CK	B-110	B-101	P-A	G-A	
Monster Grab Fork	GF-28	B-1	#1CK	B-110	B-101	P-A	G-A	
Sabretooth	GF-32	M-3	#1CK	B-310	B-301	P-A	G-A	
Monster Grab Fork	GF-51	B-1	#1CK	B-110	B-101	P-A	G-A	
Monster Grab Fork	GF-52	B-1	#1CK	B-110	B-101	P-A	G-A	
Quick Mount Claw Grab	GF-64	M-8	#1CK	M-810	M-801	P-A	G-A	
Triple Action Cat Claw	GF-84 GF-96	M-10	#7CK	M-1010	M-1001	P-C	G-H	
Triple Action Cat Claw	GF-184 GF-196	M-10	#7CK	M-1010	M-1001	P-C	G-H	
Brush Crusher	BC-6000 BC-7000 BC-8000	M-15	#34CK	M-1510	M-1501	P-J	G-V	
Landscaper	WL-8	L-2 (LIFT)	#4CK	L-210	L-201	P-B	G-B	
	WL-10 WL-12	M-3 (TILT)	#1CK	B-310	B-301	P-A	G-A	OPT.
Bale Handler	BH-15	M-3	#1CK	B-310	B-301	P-A	G-A	
High Lifter	HL-30	M-2	#4CK	M-210	M-201	P-B	G-L	
High Lifter	HL-20	M-3	#1CK	M-310	M-301	P-A	G-A	
3 Point	3P-H	M-5	#20CK	M-510	M-501	P-F	G-N	
Auto Dump	WR-40	M-2	#4CK	M-210	M-201	P-B	G-L	
Feeder Bucket	Z-47	M-2	#4CK	M-210	M-201	P-B	G-L	
Squeezer	SQ-80	D-1	#10CK	D-110	D-101	P-B	G-B	
Thrifty Lift™	HFC	M-6 (LIFT)	#17CK	M-1110	M-1101	M-1154	G-L	
		M-7* (TILT)	#4CK	M-1210	M-1201	P-B	G-L	OPT.
		M-9* (TILT)	#4CK	M-1310	M-1201	P-B	G-L	OPT.
Bale Grab	BG-34	M-3	#1CK	M-310	M-301	P-A	G-A	

\*Measure Ram to Identify which tilt option was selected. M-7 has a 21" ram and M-9 has a 18" ram.

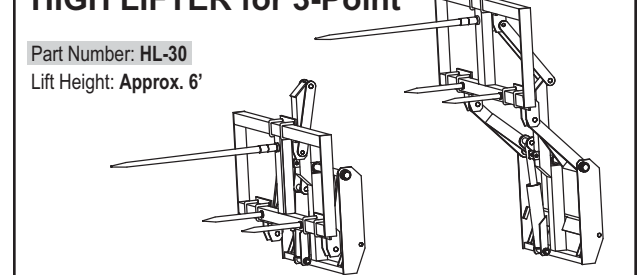
## THRIFTY LIFT for 3-Point



## SCISSORS LIFT for 3-Point



## HIGH LIFTER for 3-Point



## HITCH-N-GO™

Part Number: HNG

Easily attach wagons, hay racks, trailers and more to the tractor quickly and easily from your seat.

- Strong hydraulic cylinder pushes drawbar pin in and out with ease.
- Patented spring mechanism allows trailing over rough terrain without bending hitch pin or cylinder.
- Less Stress - pulls directly from drawbar for greater strength & safety

P/N	Description	Price
HNG	Hitch-N-Go with 1" or 7/8" pin	676
HNG-PTO	PTO Unit for use with Hitch-N-Go	202
HNG-DBE	Hitch-N-Go Drawbar Extension	87
HNG-QHA	Quick Hitch Adapter for Hitch-N-Go	25

## LOW BOY TRAILER

Part Number: LBT-20  
Price: 7,776

The easiest trailer to load! This trailer lies flat on the ground; just drive right over it to load/unload.

- Accessible from three sides for easy loading and unloading
- Adjust wheel position while driving to balance the load.
- Minimum space required to operate! Great for unloading in barns or tight spaces; the wheels move, not the trailer.

## 3-POINT ATTACHMENTS

P/N	Description	Price
<b>THRIFTY LIFT™ for Cat. (2) 3-points</b>		
HFC-42	Thrifty Lift with 42" Pallet Fork	1,264
HFC-AJ42	Thrifty Lift w/42" Adjustable Fork	1,668
HFC-AJ423	Thrifty Lift w/Adjustable 42" Pallet Fork & Bale Spear	1,998
HFC-43	Thrifty Lift with Bale Spear	1,327
HFC-423	Thrifty Lift with 42" Pallet Fork & Bale Spear	1,595
<b>OPTIONAL ACCESSORIES for HFC &amp; HF UNITS</b>		
HF-100	42" Pallet Forks only	360
HF-AJ100	Adjustable 42" Pallet Forks only	764
HF-150	Bale Spear Attachment only	360
P-10	HFC Adapter - adapts Tine Bucket to HFC	79
M-7	Top Link Cylinder (for HFC units only)	405
<b>SCISSORS LIFT (Cat. II 3-Points)</b>		
HF-42	Scissors Lift with 42" Pallet Fork	764
HF-43	Scissors Lift with Bale Spear Attachment	764
HF-423	Scissors Lift with 42" Pallet Fork & Bale Spear	1,100
<b>HIGH LIFTER - BALE SPEAR COMBO (Cat. II 3-Points)</b>		
HL-30/SP-43	High Lifter with Bale Spear	2,003

## FOOTNOTES

- A** If ordering new cylinder, check for pipe fittings. If present you will need two FFC-8 and one oil line per cylinder.
- B** Optional 3" Bucket Cylinder B-4. Requires a #4CK, B-410A Ram, B-401B Barrel, P-B Piston & G-E Gland. If ordering new gland or ram, check for: Snap Ring w/2 holes (G-B Gland). Round wire snap ring (G-E Gland)
- C** If ordering piston or ram for B-15, specify if piston is threaded. Snap-ring style no longer available. Must order new ram & piston.
- D** Optional Bucket 3" Cylinder B-5. Requires a #4CK, B-310 Ram, B-501 Barrel, P-B Piston & G-E Gland.
- E** Must use a L-10U or H-10U lift cylinder. The H-10U is larger at the gland end of the barrel. H-10U option required a #5CK, L-1010 Ram, H-1001 Barrel, P-A Piston & G-B Gland.  
**NOTE:** H-10 & L-10 also came w/ 1-1/2" Ram (discontinued). H-10 with 1-1/2" Ram requires a #3CK, H-1001 Barrel, P-A Piston & G-C Gland. L-10 with 1-1/2" Ram requires a #2CK, L-1001 Barrel, P-B Piston & G-C Gland.
- F** Loader came with one of three options for lift cylinder.  
1) L-8 Cylinder: Requires #1CK Seal Kit, L-810 Ram, L-801 Barrel, P-A Piston and G-A Gland (Has 1-3/8" Ram)  
2) L-9 Cylinder: Requires #5CK Seal Kit, L-910 Ram, L-901 Barrel, P-A Piston and G-B Gland (Has 1-3/4" Ram)  
3) H-8 Cylinder: Requires #7CK Seal Kit, L-810 Ram, H-801 Barrel, P-C Piston and G-A Gland (Gland end of barrel is larger)
- G** Came with optional 2-1/2" with 3" swelled end on lift cylinder. Part number H-6 that requires a #5CK, L-610 Ram, H-601 Barrel, P-A Piston & G-B Gland.
- H** Had 3rd set of cylinders on top of arms. Part No. PSL takes #1CK, PSL-110 Ram, PSL-100 Barrel, P-A Piston & G-A Gland  
Came with an optional lift cylinder. Part number L-29 that requires a #29CK, L-1210B Ram, L-2901 Barrel, P-I Piston and G-R Gland  
Came with optional 3-1/2" lift cylinder. Part number H-33 that requires a #33CK, L-3310 Ram, H-3301 Barrel, P-I Piston and G-P Gland
- L** Came with optional 3-1/2" lift cylinder. Part number L-36: Requires a #33CK, L-3610 Ram, L-3601 Barrel, P-I Piston and G-P Gland
- M** Requires serial number off the cylinder or loader when ordering.
- N** Loader came with one of two options for lift cylinder.  
1) L-64 Cylinder: Requires #53CK Seal Kit, L-6410 Ram, L-6401 Barrel, P-Z Piston and G-U Gland (threaded piston)  
2) L-32 Cylinder: Requires #29CK Seal Kit, P-I Piston and G-R Gland (gland end of barrel has collar) Replace with L-64.
- P** Loader came with one of the following bucket cylinder options.  
1) B-59 Cylinder: Requires #46CK Seal Kit, B-5910 Ram, B-5901 Barrel, P-U Piston and G-W Gland (threaded piston)  
2) B-42 Cylinder: Requires #40CK Seal Kit, P-A Piston and G-A Gland (1-3/8 Ram) Replace with B-59.
- Q** Loader came with one of the following bucket cylinder options.  
1) B-60 Cylinder: Requires #52CK Seal Kit, B-6010 Ram, B-6001 Barrel, P-R Piston and G-U Gland (threaded piston)  
2) B-43 Cylinder: Requires #41CK Seal Kit, P-B Piston and G-L Gland (1-3/8 Ram) Replace with B-60.

If you cannot find the tractor that you wish to mount, please call. We fit new tractors daily. All prices and price classes are subject to change without notice.

If you cannot find the tractor that you wish to mount, please call. We fit new tractors daily. All prices and price classes are subject to change without notice.





**AGCO-AGCO ALLIS-ALLIS CHALMERS**

TRACTOR	LOADER SELECTION	MOUNTING BRACKETS	HYD.					
MODEL	WD	FIT	LOADER MODEL	FOOTNOTES	BRKT KIT	PACKAGE PRICE	REAR AXLE KIT	VALVE JOYSTICK PKG
160	2	☑	TA-25	NK	AC8	5,690	115	A4
	2		TA-26		AC8	6,950	INC	A4
	2		TA-26 Plus		AC8	7,390		A4
	2		TA-26-12		AC8	8,210		A4
	2	☑	WL-21	AQ	AC1▲	6,918	391	A4
170	2		WL-27	AQ	AC1▲	7,948	391	A4
	2		WL-42	AQ	AC1▲	9,202	391	A4
	2		TA-25	AQ-NK	AC1▲	5,966	391	A4
	2		TA-26	AQ-NK	AC1▲	7,226	391	A4
	2		TA-26 Plus	AQ-NK	AC1▲	7,666	391	A4
	2		TA-26-12	AQ-NK	AC1▲	8,486	391	A4
	2		TA-28	AQ-NK	AC1▲	9,111	391	A4
	2		TA-28 Plus	AQ-NK	AC1▲	9,651	391	A4
	2		TA-29	AQ-NK	AC1▲	10,006	391	A4
	2		TA-45	AQ-NK	AC1▲	9,689	391	A4
175	2	☑	WL-21	AQ	AC1▲	6,918	391	A4
	2		WL-27	AQ	AC1▲	7,948	391	A4
	2		WL-42	AQ	AC1▲	9,202	391	A4
	2		TA-25	AQ-NK	AC1▲	5,966	391	A4
	2		TA-26	AQ-NK	AC1▲	7,226	391	A4
180	2	☑	WL-42	AQ	AC1▲	9,202	391	A4
	2		TA-25	AQ-NK	AC1▲	5,966	391	A4
	2		TA-26	AQ-NK	AC1▲	7,226	391	A4
	2		TA-26 Plus	AQ-NK	AC1▲	7,666	391	A4
	2		TA-26-12	AQ-NK	AC1▲	8,486	391	A4
	2		TA-28	AQ-NK	AC1▲	9,111	391	A4
	2		TA-28 Plus	AQ-NK	AC1▲	9,651	391	A4
	2		TA-29	AQ-NK	AC1▲	10,006	391	A4
	2		TA-45	AQ-NK	AC1▲	9,689	391	A4
	2		TA-48	AQ	AC1▲	12,319	391	A4
185	2	☑	WL-42	AQ	AC1▲	9,202	391	A4
	2		TA-26	AQ-NK	AC1▲	7,226	391	A4
	2		TA-26 Plus	AQ-NK	AC1▲	7,666	391	A4
	2		TA-26-12	AQ-NK	AC1▲	8,486	391	A4
	2		TA-28	AQ-NK	AC1▲	9,111	391	A4
	2		TA-28 Plus	AQ-NK	AC1▲	9,651	391	A4
	2		TA-29	AQ-NK	AC1▲	10,006	391	A4
	2		TA-45	AQ-NK	AC1▲	9,689	391	A4
	2		TA-46	AQ	AC1▲	11,085	391	A4
	2		TA-48	AQ	AC1▲	12,319	391	A4
190	2	☑	WL-42	AQ	AC1▲	9,202	391	A4
	2		TA-26	AQ-NK	AC1▲	7,226	391	A4
	2		TA-26 Plus	AQ-NK	AC1▲	7,666	391	A4
	2		TA-26-12	AQ-NK	AC1▲	8,486	391	A4
	2		TA-28	AQ-NK	AC1▲	9,111	391	A4
	2		TA-28 Plus	AQ-NK	AC1▲	9,651	391	A4
	2		TA-29	AQ-NK	AC1▲	10,006	391	A4
	2		TA-45	AQ-NK	AC1▲	9,689	391	A4
	2		TA-46	AQ	AC1▲	11,085	391	A4
	2		TA-48	AQ	AC1▲	12,319	391	A4
190XT	2	☑	WL-42	AQ	AC1▲	9,202	391	A4
	2		TA-26	AQ-NK	AC1▲	7,226	391	A4
	2		TA-26 Plus	AQ-NK	AC1▲	7,666	391	A4
	2		TA-26-12	AQ-NK	AC1▲	8,486	391	A4
	2		TA-28	AQ-NK	AC1▲	9,111	391	A4
	2		TA-28 Plus	AQ-NK	AC1▲	9,651	391	A4
	2		TA-29	AQ-NK	AC1▲	10,006	391	A4
	2		TA-45	AQ-NK	AC1▲	9,689	391	A4
	2		TA-46	AQ	AC1▲	11,085	391	A4
	2		TA-48	AQ	AC1▲	12,319	391	A4

TRACTOR	LOADER SELECTION	MOUNTING BRACKETS	HYD.					
MODEL	WD	FIT	LOADER MODEL	FOOTNOTES	BRKT KIT	PACKAGE PRICE	REAR AXLE KIT	VALVE JOYSTICK PKG
200	2	☑	WL-42	AQ	AC1▲	9,202	391	A4
	2		TA-26	AQ-NK	AC1▲	7,226	391	A4
	2		TA-26 Plus	AQ-NK	AC1▲	7,666	391	A4
	2		TA-26-12	AQ-NK	AC1▲	8,486	391	A4
	2		TA-28	AQ-NK	AC1▲	9,111	391	A4
	2		TA-28 Plus	AQ-NK	AC1▲	9,651	391	A4
	2		TA-29	AQ-NK	AC1▲	10,006	391	A4
	2		TA-45	AQ-NK	AC1▲	9,689	391	A4
	2		TA-46	AQ	AC1▲	11,085	391	A4
	2		TA-48	AQ	AC1▲	12,319	391	A4
210	2	☑	WL-42		42AC4	8,995		A4
	2	☑	WL-42		42AC4	8,995		A4
220	2	☑	WL-42		42AC4	8,995		A4
	2	☑	WL-42		42AC4	8,995		A4
	2	☑	WL-42		42AC4	8,995		A4
	2	☑	WL-42		42AC4	8,995		A4
1233	2	☑	TA-55		AC39	4,540		INC
	2	☑	TA-111		AC40	5,071		INC
	4	☑	TA-55		AC39	4,540		INC
	4	☑	TA-111		AC40	5,071		INC
4650	2		TA-160	CI	AC37	5,476		INC
	2	☑	TA-25	DL	AC18	5,989		A4
	2		TA-26	DL	AC18	7,249		A4
	2		TA-26 Plus	DL	AC18	7,689		A4
	2		TA-26-12	DL	AC18	8,509		A4
	4	☑	TA-25	AG-DLEN	AC18	5,989		A4
	4	☑	TA-26	AG-DLEN	AC18	7,249		A4
	4	☑	TA-26 Plus	AG-DLEN	AC18	7,689		A4
	4	☑	TA-26-12	AG-DLEN	AC18	8,509		A4
	4660	2		TA-160	CI	AC37	5,476	
2		☑	TA-25	DL	AC18	5,989		A4
2			TA-26	DL	AC18	7,249		A4
2			TA-26 Plus	DL	AC18	7,689		A4
2			TA-26-12	DL	AC18	8,509		A4
4		☑	TA-25	AG-DLEN	AC18	5,989		A4
4		☑	TA-26	AG-DLEN	AC18	7,249		A4
4		☑	TA-26 Plus	AG-DLEN	AC18	7,689		A4
4		☑	TA-26-12	AG-DLEN	AC18	8,509		A4
5020		2	☑	TA-111A	AA-CH	111AC1	5,209	
	4	☑	TA-111A	AA-CH	111AC1	5,209		INC
	2	☑	TA-111A	AA-CH	111AC1	5,209		INC
	4	☑	TA-111A	AA-CH	111AC1	5,209		INC
5040	2		TA-160	OH	OW34	5,706		INC
	2		WL-21	AC	LO1	6,757		A4
	2		WL-27	AC	LO1	7,787		A4
	2		TA-25	AC	LO1	5,897		A4
	2		TA-26	AC	LO1	7,157		A4
	2	☑	TA-26 Plus	AC	LO1	7,597		A4
	2		TA-26-12	AC	LO1	8,417		A4
	4		TA-25	AC3	6,950		A4	
	4		TA-26	AC3	6,950		A4	
	4	☑	TA-26 Plus	AC3	7,390		A4	
5050	2		TA-160	OH	OW34	5,706		INC
	2		WL-21	MA	LO1	6,757		A4
	2		WL-27	MA	LO1	7,787		A4
	2		WL-42E	AL	42EAC5	9,470		A4
	2		TA-25	MA	LO1	5,897		A4
	2		TA-26	MA	LO1	7,157		A4
	2	☑	TA-26 Plus	MA	LO1	7,597		A4
	2		TA-26-12	MA	LO1	8,417		A4
	4		TA-25	AC3	6,950		A4	
	4	☑	TA-26 Plus	AC3	7,390		A4	
5650	2	☑	TA-160	MV	SA4	5,499		INC
	2		TA-180	AQ-MV	SA5	6,826	253	INC
	2		TA-25	AQ-MV-NK	SA5	5,897	276	A4
	2		TA-26	AQ-MV-NK	SA5	7,157	276	A4
	2		TA-26 Plus	AQ-MV-NK	SA5	7,597	276	A4
	2		TA-26-12	AQ-MV-NK	SA5	8,417	276	A4
	2		CC-330		SA9	8,715		A4
	4	☑	TA-160	AO-EQ-MV	AC28	5,499		INC
	4		TA-180	AO-AQ-EN-MV	SA5	6,872	253	INC
	4		TA-25	AO-EQ-MV	AC27	5,851		A4
5660	2		TA-160	MV	SA4	5,499		INC
	2		TA-180	AQ-MV	SA5	6,826	253	INC
	2		TA-25	AQ-MV-NK	SA5	5,897	276	A4
	2		TA-26	AQ-MV-NK	SA5	7,157	276	A4
	2	☑	TA-26 Plus	AQ-MV-NK	SA5	7,597	276	A4
	2		TA-26-12	AQ-MV-NK	SA5	8,417	276	A4
	2	☑	CC-330		SA9	8,715		A4
	4		TA-180	AO-AQ-EN-MV	SA5	6,872	253	INC
	4		TA-26	AA-DO-EE	AC2	7,180		A4
	4	☑	TA-26 Plus	AA-DO-EE	AC2	7,620		A4
5670	2		WL-21	AA	SA3	7,033		INC
	2		WL-27	AA	SA3	8,040		INC
	2		WL-42	AA	SA3	9,317		INC
	2		TA-25	AA	SA3	6,081		INC
	2		TA-26	AA	SA3	7,341		INC
	2	☑	TA-26 Plus	AA	SA3	7,781		INC
	2		TA-26-12	AA	SA3	8,601		INC
	2		TA-28	AA	SA3	9,226		INC
	2		TA-28 Plus	AA	SA3	9,766		INC
	2		TA-29	AA	SA3	10,121		INC
5680	2		WL-21	AA	SA3	7,033		INC
	2		WL-27	AA	SA3	8,040		INC
	2		WL-42	AA	SA3	9,317		INC
	2		TA-25	AA	SA3	6,081		INC
	2		TA-26	AA	SA3	7,341		INC
	2	☑	TA-26 Plus	AA	SA3	7,781		INC
	2		TA-26-12	AA	SA3	8,601		INC
	2		TA-28	AA	SA3	9,226		INC
	2		TA-28 Plus	AA	SA3	9,766		INC
	2		TA-29	AA	SA3	10,121		

TRACTOR	LOADER SELECTION	MOUNTING BRACKETS	HYD.
MODEL	WD FIT LOADER MODEL FOOTNOTES	BRKT KIT PACKAGE PRICE REAR AXLE KIT VALVE JOYSTICK PKG	
<b>8070</b>	2 WL-64 BU-MR 64AC3 12,430 C4		
2 TA-46A AA-MR AC5 11,062 INC C4			
2 TA-46 MR AC4 10,970 C4			
2 TA-48 AA-MR AC5 12,227 INC C4			
2 TA-76 MR AC11 12,756 C4			
2 TA-77 MR AC11 13,426 C4			
4 WL-64A AA-BU-MR 64AAC2 12,568 INC C4			
4 TA-46A AA AC5 11,062 INC C4			
4 TA-48 AA AC5 12,227 INC C4			
4 TA-76 EB-EH-MR AC9 12,963 INC C4			
4 TA-77 EB-EH-MR AC9 13,633 INC C4			
4 XTA-700 EB-EI-GO-MR AC38 13,265 INC C4			
4 CC-370 EB-EI-GO-MR AC38 14,555 INC C4			
<b>8610</b>	2 WL-42A AA OW20 9,803 INC A4		
2 TA-28 AA-AO OW20 9,594 INC A4			
2 TA-28 Plus AA-AO OW20 10,134 INC A4			
2 TA-29 AA-AO OW20 10,489 INC A4			
2 TA-45 AA OW20 10,264 INC A4			
2 TA-46 AA OW20 11,614 INC A4			
2 TA-48 AA OW20 12,825 INC A4			
4 TA-28 AA-AO-EK AC13 9,226 INC A4			
4 TA-28 Plus AA-AO-EK AC13 9,766 INC A4			
4 TA-29 AA-AO-EK AC13 10,121 INC A4			
4 TA-46 AA-AO-EK-MQ AC13 11,223 INC A4			
<b>8630</b>	2 WL-42A AA OW20 9,803 INC A4		
2 TA-28 AA-AO OW20 9,594 INC A4			
2 TA-28 Plus AA-AO OW20 10,134 INC A4			
2 TA-29 AA-AO OW20 10,489 INC A4			
2 TA-45 AA OW20 10,264 INC A4			
2 TA-46 AA OW20 11,614 INC A4			
2 TA-48 AA OW20 12,825 INC A4			
4 TA-28 AA-AO-EK AC13 9,226 INC A4			
4 TA-28 Plus AA-AO-EK AC13 9,766 INC A4			
4 TA-29 AA-AO-EK AC13 10,121 INC A4			
4 TA-46 AA-AO-EK-MQ AC13 11,223 INC A4			
<b>8745</b>	2 WL-21 AC34 6,688 A4		
2 WL-27 AC34 7,718 A4			
2 TA-26 AC32 7,019 A4			
2 TA-26 Plus AC32 7,459 A4			
2 TA-26-12 AC32 8,279 A4			
2 TA-28 AC33 8,996 A4			
2 TA-28 Plus AC33 9,536 A4			
2 TA-29 AC33 9,891 A4			
2 TA-46 AC33 10,970 A4			
4 MAX 420 EI AC101 8,900 A4			
4 TA-28 AD-EG MF32 9,111 A4			
4 TA-28 Plus AD-EG MF32 9,651 A4			
4 TA-29 AD-EG MF32 10,006 A4			
4 TA-46 AD-EG MF32 11,062 A4			
4 CC-340 E-MT AC44 9,950 A4			
<b>8765</b>	2 WL-21 AC34 6,688 A4		
2 WL-27 AC34 7,718 A4			
2 TA-26 AC32 7,019 A4			
2 TA-26 Plus AC32 7,459 A4			
2 TA-26-12 AC32 8,279 A4			
2 TA-28 AC33 8,996 A4			
2 TA-28 Plus AC33 9,536 A4			
2 TA-29 AC33 9,891 A4			
2 TA-46 AC33 10,970 A4			
4 MAX 420 EI AC101 8,900 A4			
4 TA-28 AD-EG MF32 9,111 A4			
4 TA-28 Plus AD-EG MF32 9,651 A4			
4 TA-29 AD-EG MF32 10,006 A4			
4 TA-46 AD-EG MF32 11,062 A4			
4 CC-340 E-MT AC44 9,950 A4			
<b>8775</b>	2 TA-28 MR AC89 9,249 C4		
2 TA-28 Plus MR AC89 9,789 C4			
2 TA-29 MR AC89 10,144 C4			
4 TA-28 AO-EH-MR AC35 9,226 C4			
4 TA-28 Plus AO-EH-MR AC35 9,812 C4			
4 TA-29 AO-EH-MR AC35 10,167 C4			
4 TA-46 AO-EH AC35 11,246 C4			
4 TA-48 AO-EH AC35 12,480 C4			
4 XTA-400 AO-EH AC36 11,820 C4			

TRACTOR	LOADER SELECTION	MOUNTING BRACKETS	HYD.
MODEL	WD FIT LOADER MODEL FOOTNOTES	BRKT KIT PACKAGE PRICE REAR AXLE KIT VALVE JOYSTICK PKG	
<b>8785</b>	2 TA-28 MR AC89 9,249 C4		
2 TA-28 Plus MR AC89 9,789 C4			
2 TA-29 MR AC89 10,144 C4			
4 TA-28 AO-EH-MR AC35 9,226 C4			
4 TA-28 Plus AO-EH-MR AC35 9,812 C4			
4 TA-29 AO-EH-MR AC35 10,167 C4			
4 TA-46 AO-EH-MR AC35 11,246 C4			
4 TA-48 AO-EH-MR AC35 12,480 C4			
4 XTA-400 AO-EH-MR AC36 11,820 C4			
4 CC-360 MR AC66 11,995 C4			
<b>9435 TYPE 1 FRAME</b>	2 TA-46 CHMR AC23 11,131 C4		
2 TA-48 CHMR AC23 12,342 C4			
2 TA-76 MR AC23 12,595 C4			
2 TA-77 MR AC23 13,265 C4			
4 TA-46 AO-CHEK-GMMR AC23 11,131 C4			
4 TA-48 AO-CHEK-GMMR AC23 12,342 C4			
4 TA-76 EK-GMMR AC23 12,595 C4			
4 TA-77 EK-GMMR AC23 13,265 C4			
4 XTA-700 EK-GMMR 700AC3 13,265 C4			
4 CC-370 EK-GMMR 700AC3 14,555 C4			
<b>9435 TYPE 2 FRAME</b>	4 TA-46 AO-CHEK-GMMR AC25 10,970 C4		
4 TA-48 AO-CHEK-GMMR AC25 12,135 C4			
4 TA-76 AO-EK-GMMR AC25 12,595 C4			
4 TA-77 AO-EK-GMMR AC25 13,265 C4			
4 XTA-700 AO-EK-GMMR 700AC3 13,265 C4			
4 CC-370 AO-EK-GMMR 700AC3 14,555 C4			
<b>9455 TYPE 1 FRAME</b>	2 TA-46 CHMR AC23 11,131 C4		
2 TA-48 CHMR AC23 12,342 C4			
2 TA-76 MR AC23 12,595 C4			
2 TA-77 MR AC23 13,265 C4			
4 TA-46 AO-CHEK-GMMR AC23 11,131 C4			
4 TA-48 AO-CHEK-GMMR AC23 12,342 C4			
4 TA-76 AO-EK-GMMR AC23 12,595 C4			
4 TA-77 AO-EK-GMMR AC23 13,265 C4			
<b>9455 TYPE 2 FRAME</b>	4 TA-46 AO-CHEK-GMMR AC25 10,970 C4		
4 TA-48 AO-CHEK-GMMR AC25 12,135 C4			
4 TA-76 AO-EK-GMMR AC25 12,595 C4			
4 TA-77 AO-EK-GMMR AC25 13,265 C4			
4 XTA-700 AO-EK-GMMR 700AC3 13,265 C4			
4 CC-370 AO-EK-GMMR 700AC3 14,555 C4			
<b>9630 TYPE 1 FRAME</b>	2 TA-46 CHMR AC23 11,131 C4		
2 TA-48 CHMR AC23 12,342 C4			
2 TA-76 MR AC23 12,595 C4			
2 TA-77 MR AC23 13,265 C4			
4 TA-46 AO-CHEK-GMMR AC23 11,131 C4			
4 TA-48 AO-CHEK-GMMR AC23 12,342 C4			
4 TA-76 AO-EK-GMMR AC23 12,595 C4			
4 TA-77 AO-EK-GMMR AC23 13,265 C4			
<b>9630 TYPE 2 FRAME</b>	4 TA-46 AO-CHEK-GMMR AC25 10,970 C4		
4 TA-48 AO-CHEK-GMMR AC25 12,135 C4			
4 TA-76 AO-EK-GMMR AC25 12,595 C4			
4 TA-77 AO-EK-GMMR AC25 13,265 C4			
4 XTA-700 AO-EK-GMMR 700AC3 13,265 C4			
4 CC-370 AO-EK-GMMR 700AC3 14,555 C4			
<b>9635 TYPE 1 FRAME</b>	2 TA-46 CHMR AC23 11,131 C4		
2 TA-48 CHMR AC23 12,342 C4			
2 TA-76 MR AC23 12,595 C4			
2 TA-77 MR AC23 13,265 C4			
4 TA-46 AO-CHEK-GMMR AC23 11,131 C4			
4 TA-48 AO-CHEK-GMMR AC23 12,342 C4			
4 TA-76 AO-EK-GMMR AC23 12,595 C4			
4 TA-77 AO-EK-GMMR AC23 13,265 C4			
<b>9635 TYPE 2 FRAME</b>	4 TA-46 AO-CHEK-GMMR AC25 10,970 C4		
4 TA-48 AO-CHEK-GMMR AC25 12,135 C4			
4 TA-76 AO-EK-GMMR AC25 12,595 C4			
4 TA-77 AO-EK-GMMR AC25 13,265 C4			
4 XTA-700 AO-EK-GMMR 700AC3 13,265 C4			
4 CC-370 AO-EK-GMMR 700AC3 14,555 C4			

TRACTOR	LOADER SELECTION	MOUNTING BRACKETS	HYD.
MODEL	WD FIT LOADER MODEL FOOTNOTES	BRKT KIT PACKAGE PRICE REAR AXLE KIT VALVE JOYSTICK PKG	
<b>9650 TYPE 1 FRAME</b>	2 TA-46 CHMR AC23 11,131 C4		
2 TA-48 CHMR AC23 12,342 C4			
2 TA-76 MR AC23 12,595 C4			
2 TA-77 MR AC23 13,265 C4			
4 TA-46 AO-CHEK-GMMR AC23 11,131 C4			
4 TA-48 AO-CHEK-GMMR AC23 12,342 C4			
4 TA-76 AO-EK-GMMR AC23 12,595 C4			
4 TA-77 AO-EK-GMMR AC23 13,265 C4			
<b>9650 TYPE 2 FRAME</b>	4 TA-46 AO-CHEK-GMMR AC25 10,970 C4		
4 TA-48 AO-CHEK-GMMR AC25 12,135 C4			
4 TA-76 AO-EK-GMMR AC25 12,595 C4			
4 TA-77 AO-EK-GMMR AC25 13,265 C4			
4 XTA-700 AO-EK-GMMR 700AC3 13,265 C4			
4 CC-370 AO-EK-GMMR 700AC3 14,555 C4			
<b>9655 TYPE 1 FRAME</b>	2 TA-46 CHMR AC23 11,131 C4		
2 TA-48 CHMR AC23 12,342 C4			
2 TA-76 MR AC23 12,595 C4			
2 TA-77 MR AC23 13,265 C4			
4 TA-46 AO-CHEK-GMMR AC23 11,131 C4			
4 TA-48 AO-CHEK-GMMR AC23 12,342 C4			
4 TA-76 AO-EK-GMMR AC23 12,595 C4			
4 TA-77 AO-EK-GMMR AC23 13,265 C4			
<b>9655 TYPE 2 FRAME</b>	4 TA-46 AO-CHEK-GMMR AC25 10,970 C4		
4 TA-48 AO-CHEK-GMMR AC25 12,135 C4			
4 TA-76 AO-EK-GMMR AC25 12,595 C4			
4 TA-77 AO-EK-GMMR AC25 13,265 C4			
4 XTA-700 AO-EK-GMMR 700AC3 13,265 C4			
4 CC-370 AO-EK-GMMR 700AC3 14,555 C4			
<b>9670</b>	4 TA-76 AA-MR DE13 13,032 INC C4		
4 TA-77 AA-MR DE13 13,702 INC C4			
4 XTA-700 MR 700AC1 13,265 C4			
4 CC-370 MR 700AC1 14,555 C4			
<b>9675 TYPE 1 FRAME</b>	2 TA-46 CHMR AC23 11,131 C4		
2 TA-48 CHMR AC23 12,342 C4			
2 TA-76 MR AC23 12,595 C4			
2 TA-77 MR AC23 13,265 C4			
4 TA-46 AO-CHEK-GMMR AC23 11,131 C4			
4 TA-48 AO-CHEK-GMMR AC23 12,342 C4			
4 TA-76 AO-EK-GMMR AC23 12,595 C4			
4 TA-77 AO-EK-GMMR AC23 13,265 C4			
<b>9675 TYPE 2 FRAME</b>	4 TA-46 AO-CHEK-GMMR AC25 12,135 C4		
4 TA-48 AO-CHEK-GMMR AC25 12,595 C4			
4 TA-76 AO-EK-GMMR AC25 12,595 C4			
4 TA-77 AO-EK-GMMR AC25 13,265 C4			
4 XTA-700 AO-EK-GMMR 700AC3 13,265 C4			
4 CC-370 AO-EK-GMMR 700AC3 14,555 C4			
<b>9690</b>	4 TA-76 AA-NK-MR DE13 13,032 INC C4		
4 TA-77 AA-NK-MR DE13 13,702 INC C4			
4 XTA-700 MR 700AC2 13,265 C4			
4 CC-370 MR 700AC2 14,555 C4			
<b>9695 TYPE 1 FRAME</b>	4 TA-76 AO-EK-GMMR AC23 12,595 C4		
4 TA-77 AO-EK-GMMR AC23 13,265 C4			
<b>9695 TYPE 2 FRAME</b>	4 TA-76 AO-EK-GMMR AC25 12,595 C4		
4 TA-77 AO-EK-GMMR AC25 13,265 C4			
4 XTA-700 AO-EK-GMMR 700AC3 13,265 C4			
4 CC-370 AO-EK-GMMR 700AC3 14,555 C4			
<b>9735</b>	4 TA-46 AO-EK-MR-NK-OG AC29 11,062 C4		
4 TA-46 AO-EK-MR-NK-OF AC67 11,016 C4			
4 TA-48 AO-EK-MR-NK-OG AC29 12,273 C4			
4 TA-48 AO-EK-MR-NK-OF AC67 12,227 C4			
4 TA-76 AO-EK-MR-NK-OG AC29 12,595 C4			
4 TA-76 AO-EK-MR-NK-OF AC67 12,595 C4			
4 TA-77 AO-EK-MR-NK-OG AC29 13,265 C4			
4 TA-77 AO-EK-MR-NK-OF AC67 13,265 C4			
4 XTA-400 EK-MR-OG AC30 12,004 C4			
4 XTA-700 AO-EK-MR-OG AC31 13,265 C4			
4 CC-360 AO-EK-MR-OG AC65 11,995 C4			
4 CC-370 AO-EK-MR-OG AC31 14,555 C4			
4 FM-570 EK-MR-OG AC68 17,475 C4			

TRACTOR	LOADER SELECTION	MOUNTING BRACKETS	HYD.
MODEL	WD FIT LOADER MODEL FOOTNOTES	BRKT KIT PACKAGE PRICE REAR AXLE KIT VALVE JOYSTICK PKG	
<b>9745</b>	4 TA-46 AO-EK-MR-NK-OG AC29 11,062 C4		
4 TA-46 AO-EK-MR-NK-OF AC67 11,016 C4			
4 TA-48 AO-EK-MR-OG AC29 12,273 C4			
4 TA-48 AO-EK-MR-NK-OF AC67 12,227 C4			
4 TA-76 AO-EK-MR-OG AC29 12,595 C4			
4 TA-76 AO-EK-MR-NK-OF AC67 12,595 C4			
4 TA-77 AO-EK-MR-OG AC29 13,265 C4			
4 TA-77 AO-EK-MR-NK-OF AC67 13,265 C4			
4 XTA-400 EK-MR-OG AC30 12,004 C4			
4 XTA-700 AO-EK-MR-OG AC31 13,265 C4			
4 CC-360 AO-EK-MR-OG AC65 11,995 C4			
4 CC-370 AO-EK-MR-OG AC31 14,555 C4			
4 FM-570 EK-MR-OG AC68 17,475 C4			
<b>D 15</b>	2 WL-21 AQ AC1▲ 6,918 391 A4		
2 WL-27 AQ AC1▲ 7,948 391 A4			
2 WL-42 AQ AC1▲ 9,202 391 A4			
2 TA-25 AQ-NK AC1▲ 5,966 391 A4			
2 TA-26 AQ-NK AC1▲ 7,226 391 A4			



TRACTOR	LOADER SELECTION	MOUNTING BRACKETS	HYD.							
MODEL	WD	FT	LOADER MODEL	FOOTNOTES	BRKT	KIT	PACKAGE PRICE	REAR AXLE KIT	VALVE JOYSTICK PKG	
<b>RT95</b>	2		TA-28		OW39		8,950		A4	
	2		TA-28 Plus		OW39		9,490		A4	
	2		TA-29		OW39		9,845		A4	
	2		TA-45		OW39		9,620		A4	
	2		TA-46		OW39		10,970		A4	
	4		TA-28 Plus	AD-EH-GN	OW26		9,490		A4	
	4		TA-28 Plus	AD-EH-GN	OW29		9,536		A4	
	4		TA-29	AD-EH-GN	OW26		9,845		A4	
	4		TA-29	AD-EH-GN	OW29		9,891		A4	
	4		TA-46A	AD-EH	OW27		11,131		A4	
4		TA-48	AD-CH-EH	OW27		12,296		A4		
4		XTA-400	AD-EH	OW28		11,820		A4		
4		CC-360	AD-EH	OW41		11,995		A4		
<b>RT100</b>	2		WL-42	OG-MR-ON	MF71		9,202		C4	
	2		TA-28	OG-MR-ON	MF71		9,249		C4	
	2		TA-28 Plus	OG-MR-ON	MF71		9,789		C4	
	2		TA-29	OG-MR-ON	MF71		10,144		C4	
	2		TA-45	OG-MR-ON	MF71		9,827		C4	
	2		TA-46	OG-MR-ON	MF71		11,223		C4	
	2		TA-48	OG-MR-ON	MF71		12,434		C4	
	2		TA-76	OG-MR-ON	MF71		12,710		C4	
	4		MAX 420	EK-MR-OG-OL-ON	AC100		8,900		A4	
	4		TA-28	AD-EH-MR-MT-OG-ON	AC45		9,180		C4	
4		TA-28 Plus	AD-EH-MR-MT-OG-ON	AC45		9,812		C4		
4		TA-28 Plus	AD-EH-MR-MT-OG-ON	AC49		9,743		C4		
4		TA-29	AD-EH-MR-MT-OG-ON	AC45		10,167		C4		
4		TA-29	AD-EH-MR-MT-OG-ON	AC49		10,098		C4		
4		TA-46A	AD-EH-MR-MT-OG-ON	AC45		11,269		C4		
4		TA-46A	AD-EH-MR-MT-OG-ON	AC49		11,177		C4		
4		TA-48	AD-EH-MR-MT-OG-ON	AC45		12,434		C4		
4		XTA-400	EK-MR-OG-ON	AC46		11,981		C4		
4		XTA-400	EK-MR-OG-ON	AC50		11,866		C4		
4		CC-360	EK-MR-OG-ON	AC51		11,995		C4		
4		CC-360	EK-MR-OG-ON	AC52		11,995		C4		
4		FM-560	EK-MR-OG-ON	AC59		16,900		C4		
<b>RT100A</b>	4		MAX 420	EH-MR-OL-OG-ON	AC99		8,900		C4	
	4		TA-28	AD-EH-MR-MT-OG-ON	AC60		9,157		C4	
	4		TA-28 Plus	AD-EH-MR-MT-OG-ON	AC60		9,789		C4	
	4		TA-29	AD-EH-MR-MT-OG-ON	AC60		10,144		C4	
	4		TA-46A	AD-EH-MR-MT-OG-ON	AC60		11,269		C4	
	4		TA-48	AD-EH-MR-MT-OG-ON	AC60		12,434		C4	
	4		XTA-400	AD-EH-MR-MT-OG-ON	AC61		12,073		C4	
	4		CC-360	EK-MR-OG-ON	AC62		11,995		C4	
	4		FM-560	EK-MR-OG-ON	AC85		16,900		C4	
	<b>RT110A</b>	4		XTA-400	AD-EH-MR-MT-OG-OP	AC90		12,142		C4
4			CC-360	AD-EH-MR-MT-OG-OP	AC91		12,386		C4	
4			FM-560	EK-MR-OG-OP	AC92		16,900		C4	
<b>RT115</b>		2		TA-28		OW39		8,950		A4
	2		TA-28 Plus		OW39		9,490		A4	
	2		TA-29		OW39		9,845		A4	
	2		TA-45		OW39		9,620		A4	
	2		TA-46		OW39		10,970		A4	
	4		TA-28 Plus	AD-EH-GN	OW26		9,490		A4	
	4		TA-28 Plus	AD-EH-GN	OW29		9,536		A4	
	4		TA-29	AD-EH-GN	OW26		9,845		A4	
	4		TA-29	AD-EH-GN	OW29		9,891		A4	
	4		TA-46A	AD-EH	OW27		11,131		A4	
4		TA-48	AD-CH-EH	OW27		12,296		A4		
4		XTA-400	AD-EH	OW28		11,820		A4		
4		CC-360	AD-EH	OW41		11,995		A4		
<b>RT140A</b>	2		WL-42	MR-OG-ON	MF71		9,202		C4	
	2		TA-28	MR-OG-ON	MF71		9,249		C4	
	2		TA-28 Plus	MR-OG-ON	MF71		9,789		C4	
	2		TA-29	MR-OG-ON	MF71		10,144		C4	
	2		TA-45	MR-OG-ON	MF71		9,827		C4	
	2		TA-46	MR-OG-ON	MF71		11,223		C4	
	2		TA-48	MR-OG-ON	MF71		12,434		C4	
	2		TA-76	MR-OG-ON	MF71		12,710		C4	
	4		TA-28	AD-EH-MR-MT-OG-ON	AC45		9,180		C4	
	4		TA-28 Plus	AD-EH-MR-MT-OG-ON	AC45		9,812		C4	
4		TA-29	AD-EH-MR-MT-OG-ON	AC45		10,167		C4		
4		TA-29	AD-EH-MR-MT-OG-ON	AC49		10,098		C4		
4		TA-46A	AD-EH-MR-MT-OG-ON	AC45		11,269		C4		
4		TA-46A	AD-EH-MR-MT-OG-ON	AC49		11,177		C4		
4		TA-48	AD-EH-MR-MT-OG-ON	AC45		12,434		C4		
4		XTA-400	EK-MR-OG-OP	AC70		12,073		C4		
4		XTA-400	EK-MR-OG-OP	AC96		12,096		C4		
4		CC-360	EK-MR-OG-ON	AC83		11,995		C4		
4		FM-560	EK-MR-OG-ON	AC86		16,900		C4		
4		FM-570	EK-MR-OG-ON	AC84		17,475		C4		
<b>RT145</b>	2		TA-46	MR	OW37		11,246		C4	
	2		TA-48	MR	OW37		12,411		C4	
	4		TA-46A	EK-MR	OW32		11,016		C4	
	4		TA-48	EK-MR	OW32		12,181		C4	
	4		XTA-400	EK-MR	OW33		11,820		C4	
	4		CC-360	MR	OW44		11,995		C4	
	4		FM-550	EK-MR	OW47		14,470		C4	
	<b>RT150</b>	4		MAX 420	EK-MR-OG-OL-ON	AC100		8,900		A4
		4		TA-28	AD-EH-MR-MT-OG-ON	AC45		9,180		C4
		4		TA-28 Plus	AD-EH-MR-MT-OG-ON	AC45		9,812		C4
4			TA-28 Plus	AD-EH-MR-MT-OG-ON	AC49		9,743		C4	
4			TA-29	AD-EH-MR-MT-OG-ON	AC45		10,167		C4	
4			TA-29	AD-EH-MR-MT-OG-ON	AC49		10,098		C4	
4			TA-46A	AD-EH-MR-MT-OG-ON	AC45		11,269		C4	
4			TA-46A	AD-EH-MR-MT-OG-ON	AC49		11,177		C4	
4			TA-48	AD-EH-MR-MT-OG-ON	AC45		12,434		C4	
4			XTA-400	EK-MR-OG-ON	AC46		11,981		C4	
4		XTA-400	EK-MR-OG-ON	AC50		11,866		C4		
4		CC-360	EK-MR-OG-ON	AC51		11,995		C4		
4		CC-360	EK-MR-OG-ON	AC52		11,995		C4		
4		FM-560	EK-MR-OG-ON	AC59		16,900		C4		
<b>RT155A</b>	2		WL-42	MR-OG-ON	MF71		9,202		C4	
	2		TA-28	MR-OG-ON	MF71		9,249		C4	
	2		TA-28 Plus	MR-OG-ON	MF71		9,789		C4	
	2		TA-29	MR-OG-ON	MF71		10,144		C4	
	2		TA-45	MR-OG-ON	MF71		9,827		C4	
	2		TA-46	MR-OG-ON	MF71		11,223		C4	
	2		TA-48	MR-OG-ON	MF71		12,434		C4	
	2		TA-76	MR-OG-ON	MF71		12,710		C4	
	4		TA-28	AD-EH-MR-MT-OG-ON	AC45		9,180		C4	
	4		TA-28 Plus	AD-EH-MR-MT-OG-ON	AC45		9,812		C4	
4		TA-29	AD-EH-MR-MT-OG-ON	AC45		10,167		C4		
4		TA-29	AD-EH-MR-MT-OG-ON	AC49		10,098		C4		
4		TA-46A	AD-EH-MR-MT-OG-ON	AC45		11,269		C4		
4		TA-46A	AD-EH-MR-MT-OG-ON	AC49		11,177		C4		
4		TA-48	AD-EH-MR-MT-OG-ON	AC45		12,434		C4		
4		XTA-400	EK-MR-OG-OP	AC70		12,073		C4		
4		XTA-400	EK-MR-OG-OP	AC96		12,096		C4		
4		CC-360	EK-MR-OG-ON	AC83		11,995		C4		
4		FM-560	EK-MR-OG-ON	AC86		16,900		C4		
4		FM-570	EK-MR-OG-ON	AC82		16,900		C4		
<b>RT165A</b>	4		XTA-400	EK-MR-OG-OP	AC96		12,096		C4	
	4		CC-360	EK-MR-OG-OP	AC83		11,995		C4	
<b>RT180A</b>	4		XTA-400	EK-MR-OG-OP	AC96		12,096		C4	
	4		CC-360	EK-MR-OG-OP	AC83		11,995		C4	
<b>ST24A</b>	4		TA-55	AA-EX	AC48		4,678		INC	
	<b>ST25</b>	4		TA-55	AA-EX	AC48		4,678		INC
<b>ST30</b>		4		TA-55	AA-EZ-NP-OI	MF56		4,724		INC
	4		TA-111	AA-EZ-NP-OI	MF57		5,232		INC	
<b>ST30X</b>	4		TA-55		AC39		4,540		INC	
	4		TA-111		AC40		5,071		INC	
<b>ST34A</b>	4		TA-111	DH-EZ	MF80		5,163		92	
	4		TA-170	EZ	MF81		6,055		46	
<b>ST35</b>	4		TA-111	AQ-CH-NP	AC41		5,117		92	
	4		TA-170	AQ-CH-NP	AC42		6,055		46	
4		TA-175	AQ-CH-NP	AC42		6,395		46		
<b>ST35X</b>	4		TA-111	AQ-CH-NP	AC41		5,117		92	
	4		TA-170	AQ-CH-NP	AC42		6,055		46	
4		TA-175	AQ-CH-NP	AC42		6,395		46		
<b>ST40</b>	4		TA-111	AQ-CH-NP	AC41		5,117		92	
	4		TA-170	AQ-CH-NP	AC42		6,055		46	
4		TA-175	AQ-CH-NP	AC42		6,395		46		
<b>ST45</b>	4		TA-160	DH-MS-NP-OH	AC95		5,430		INC	
	4		TA-170	MS-OH	AC94		6,055		INC	
<b>ST41A</b>	4		TA-111	DH-EZ	MF80		5,163		92	
	4		TA-170	EZ	MF81		6,055		46	
<b>ST47A</b>	4		TA-160	EX-DH-OI	MF95		5,591		INC	
	4		TA-170		MF77		6,055		INC</	

TRACTOR	LOADER SELECTION	MOUNTING BRACKETS	HYD.					
MODEL	WD	FT	LOADER MODEL	FOOTNOTES	BRKT KIT	PACKAGE PRICE	REAR AXLE KIT	VALVE JOYSTICK PKG
<b>902</b>	2	WL-42	AQ-AR	BE6	9,110	161	A4	
	2	TA-26	AQ	BE6	7,157	184	A4	
	2	TA-26 Plus	AQ	BE6	7,597	184	A4	
	2	TA-26-12	AQ	BE6	8,417	184	A4	
	2	TA-28	AQ-AR	BE6	9,042	184	A4	
	2	TA-28 Plus	AQ-AR	BE6	9,582	184	A4	
2	TA-29	AQ-AR	BE6	9,937	184	A4		
2	TA-45	AQ-AR	BE6	9,620	184	A4		
<b>905</b>	2	WL-42	AQ-AR	BE6	9,110	161	A4	
	2	TA-26	AQ	BE6	7,157	184	A4	
	2	TA-26 Plus	AQ	BE6	7,597	184	A4	
	2	TA-26-12	AQ	BE6	8,417	184	A4	
	2	TA-28	AQ-AR	BE6	9,042	184	A4	
	2	TA-28 Plus	AQ-AR	BE6	9,582	184	A4	
2	TA-29	AQ-AR	BE6	9,937	184	A4		
2	TA-45	AQ-AR	BE6	9,620	184	A4		
<b>920</b>	4	WL-21	AQ-DL	BE1	6,780	161	A4	
	4	WL-27	AQ-DL	BE1	7,810	161	A4	
	4	WL-42	AQ-AR	BE1	8,995	161	A4	
	4	TA-26	AQ-DL	BE1	7,180	161	A4	
	4	TA-26 Plus	AQ-DL	BE1	7,620	161	A4	
	4	TA-26-12	AQ-DL	BE1	8,440	161	A4	
4	TA-28	AQ-AR-DL	BE1	8,996	161	A4		
4	TA-28 Plus	AQ-AR-DL	BE1	9,536	161	A4		
4	TA-29	AQ-AR-DL	BE1	9,891	161	A4		
4	TA-45	AQ-AR	BE1	9,620	161	A4		
<b>922</b>	4	WL-21	AQ-DL	BE1	6,780	161	A4	
	4	WL-27	AQ-DL	BE1	7,810	161	A4	
	4	WL-42	AQ-AR	BE1	8,995	161	A4	
	4	TA-26	AQ-DL	BE1	7,180	161	A4	
	4	TA-26 Plus	AQ-DL	BE1	7,620	161	A4	
	4	TA-26-12	AQ-DL	BE1	8,440	161	A4	
4	TA-28	AQ-AR-DL	BE1	8,996	161	A4		
4	TA-28 Plus	AQ-AR-DL	BE1	9,536	161	A4		
4	TA-29	AQ-AR-DL	BE1	9,891	161	A4		
4	TA-45	AQ-AR	BE1	9,620	161	A4		
<b>925</b>	4	WL-21	AQ-DL	BE1	6,780	161	A4	
	4	WL-27	AQ-DL	BE1	7,810	161	A4	
	4	WL-42	AQ-AR	BE1	8,995	161	A4	
	4	TA-26	AQ-DL	BE1	7,180	161	A4	
	4	TA-26 Plus	AQ-DL	BE1	7,620	161	A4	
	4	TA-26-12	AQ-DL	BE1	8,440	161	A4	
4	TA-28	AQ-AR-DL	BE1	8,996	161	A4		
4	TA-28 Plus	AQ-AR-DL	BE1	9,536	161	A4		
4	TA-29	AQ-AR-DL	BE1	9,891	161	A4		
4	TA-45	AQ-AR	BE1	9,620	161	A4		
<b>2011</b>	2	TA-55SP	GL	55BE2	4,747		INC	
	4	TA-55SP	GL	55BE2	4,747		INC	
<b>2045</b>	4	TA-55SP	GL	55BE2	4,747		INC	
	4	TA-111	AA-DL-MX	BE9	5,186	INC	INC	
<b>2145</b>	4	TA-25	QA	BE3	5,759		A4	
	4	TA-26	AQ-DL	BE1	7,180	161	A4	
<b>4055</b>	4	TA-26 Plus	AQ-DL	BE1	7,620	161	A4	
	4	TA-26-12	AQ-DL	BE1	8,440	161	A4	
<b>5145</b>	4	TA-26	AQ-DL	BE1	7,180	161	A4	
	4	TA-26 Plus	AQ-DL	BE1	7,620	161	A4	
<b>6011</b>	2	WL-27	AQ-MT	BE8	7,925	161	A4	
	2	WL-42	AQ-MT	BE8	9,110	161	A4	
2	TA-26	AQ-DL	BE8	7,203	184	A4		
2	TA-26 Plus	AQ-DL	BE8	7,643	184	A4		
2	TA-26-12	AQ-DL	BE8	8,463	184	A4		
2	TA-28	AQ-DL	BE8	9,088	184	A4		
2	TA-28 Plus	AQ-DL	BE8	9,628	184	A4		
2	TA-29	AQ-DL	BE8	9,983	184	A4		
2	TA-45	AQ-MV	BE8	9,620	184	A4		
<b>6045</b>	4	WL-42	AQ-DL-MT	BE7	9,110	161	A4	
	4	TA-26	AQ-DL-EN	BE7	7,157	184	A4	
	4	TA-26 Plus	AQ-DL-EN	BE7	7,597	184	A4	
	4	TA-26-12	AQ-DL-EN	BE7	8,417	184	A4	
	4	TA-28	AQ-DL-EN	BE7	9,042	184	A4	
	4	TA-28 Plus	AQ-DL-EN	BE7	9,582	184	A4	
4	TA-29	AQ-DL-EN	BE7	9,937	184	A4		
4	TA-45	AQ-EN-MV	BE7	9,620	184	A4		

TRACTOR	LOADER SELECTION	MOUNTING BRACKETS	HYD.					
MODEL	WD	FT	LOADER MODEL	FOOTNOTES	BRKT KIT	PACKAGE PRICE	REAR AXLE KIT	VALVE JOYSTICK PKG
<b>6311</b>	2	WL-27	AQ-MT	BE8	7,925	161	A4	
	2	WL-42	AQ-MT	BE8	9,110	161	A4	
	2	TA-26	AQ-DL	BE8	7,203	184	A4	
	2	TA-26 Plus	AQ-DL	BE8	7,643	184	A4	
	2	TA-26-12	AQ-DL	BE8	8,463	184	A4	
	2	TA-28	AQ-DL	BE8	9,088	184	A4	
2	TA-28 Plus	AQ-DL	BE8	9,628	184	A4		
2	TA-29	AQ-DL	BE8	9,983	184	A4		
2	TA-45	AQ-MV	BE8	9,620	184	A4		
<b>6345</b>	4	WL-42	AQ-DL-MT	BE7	9,110	161	A4	
	4	TA-26	AQ-DL-EN	BE7	7,157	184	A4	
	4	TA-26 Plus	AQ-DL-EN	BE7	7,597	184	A4	
	4	TA-26-12	AQ-DL-EN	BE7	8,417	184	A4	
	4	TA-28	AQ-DL-EN	BE7	9,042	184	A4	
	4	TA-28 Plus	AQ-DL-EN	BE7	9,582	184	A4	
4	TA-29	AQ-DL-EN	BE7	9,937	184	A4		
4	TA-45	AQ-EN-MV	BE7	9,620	184	A4		
<b>8011</b>	2	WL-27	AQ-MT	BE8	7,925	161	A4	
	2	WL-42	AQ-MT	BE8	9,110	161	A4	
	2	TA-26	AQ-DL	BE8	7,203	184	A4	
	2	TA-26 Plus	AQ-DL	BE8	7,643	184	A4	
	2	TA-26-12	AQ-DL	BE8	8,463	184	A4	
	2	TA-28	AQ-DL	BE8	9,088	184	A4	
2	TA-28 Plus	AQ-DL	BE8	9,628	184	A4		
2	TA-29	AQ-DL	BE8	9,983	184	A4		
2	TA-45	AQ-MV	BE8	9,620	184	A4		
<b>8045</b>	4	WL-42	AQ-EN-MT	BE7	9,110	161	A4	
	4	TA-26	AQ-DL-EN	BE7	7,157	184	A4	
	4	TA-26 Plus	AQ-DL-EN	BE7	7,597	184	A4	
	4	TA-26-12	AQ-DL-EN	BE7	8,417	184	A4	
	4	TA-28	AQ-DL-EN	BE7	9,042	184	A4	
	4	TA-28 Plus	AQ-DL-EN	BE7	9,582	184	A4	
4	TA-29	AQ-DL-EN	BE7	9,937	184	A4		
4	TA-45	AQ-EN-MV	BE7	9,620	184	A4		
<b>8311</b>	2	WL-27	AQ-MT	BE8	7,925	161	A4	
	2	WL-42	AQ-MT	BE8	9,110	161	A4	
	2	TA-26	AQ-DL	BE8	7,203	184	A4	
	2	TA-26 Plus	AQ-DL	BE8	7,643	184	A4	
	2	TA-26-12	AQ-DL	BE8	8,463	184	A4	
	2	TA-28	AQ-DL	BE8	9,088	184	A4	
2	TA-28 Plus	AQ-DL	BE8	9,628	184	A4		
2	TA-29	AQ-DL	BE8	9,983	184	A4		
2	TA-45	AQ-MV	BE8	9,620	184	A4		
<b>8345</b>	4	WL-42	AQ-EN-MT	BE7	9,110	161	A4	
	4	TA-26	AQ-DL-EN	BE7	7,157	184	A4	
	4	TA-26 Plus	AQ-DL-EN	BE7	7,597	184	A4	
	4	TA-26-12	AQ-DL-EN	BE7	8,417	184	A4	
	4	TA-28	AQ-DL-EN	BE7	9,042	184	A4	
	4	TA-28 Plus	AQ-DL-EN	BE7	9,582	184	A4	
4	TA-29	AQ-DL-EN	BE7	9,937	184	A4		
4	TA-45	AQ-EN-MV	BE7	9,620	184	A4		
<b>9011</b>	2	WL-27	AQ-MT	BE8	7,925	161	A4	
	2	WL-42	AQ-MT	BE8	9,110	161	A4	
	2	TA-26	AQ-DL	BE8	7,203	184	A4	
	2	TA-26 Plus	AQ-DL	BE8	7,643	184	A4	
	2	TA-26-12	AQ-DL	BE8	8,463	184	A4	
	2	TA-28	AQ-DL	BE8	9,088	184	A4	
2	TA-28 Plus	AQ-DL	BE8	9,628	184	A4		
2	TA-29	AQ-DL	BE8	9,983	184	A4		
2	TA-45	AQ-MV	BE8	9,620	184	A4		
<b>9045</b>	4	WL-42	AQ-EN-MT	BE7	9,110	161	A4	
	4	TA-26	AQ-DL-EN	BE7	7,157	184	A4	
	4	TA-26 Plus	AQ-DL-EN	BE7	7,597	184	A4	
	4	TA-26-12	AQ-DL-EN	BE7	8,417	184	A4	
	4	TA-28	AQ-DL-EN	BE7	9,042	184	A4	
	4	TA-28 Plus	AQ-DL-EN	BE7	9,582	184	A4	
4	TA-29	AQ-DL-EN	BE7	9,937	184	A4		
4	TA-45	AQ-EN-MV	BE7	9,620	184	A4		
<b>9311</b>	2	WL-27	AQ-MT	BE8	7,925	161	A4	
	2	WL-42	AQ-MT	BE8	9,110	161	A4	
	2	TA-26	AQ-DL	BE8	7,203	184	A4	
	2	TA-26 Plus	AQ-DL	BE8	7,643	184	A4	
	2	TA-26-12	AQ-DL	BE8	8,463	184	A4	
	2	TA-28	AQ-DL	BE8	9,088	184	A4	
2	TA-28 Plus	AQ-DL	BE8	9,628	184	A4		
2	TA-29	AQ-DL	BE8	9,983	184	A4		
2	TA-45	AQ-MV	BE8	9,620	184	A4		
<b>9345</b>	4	WL-42	AQ-EN-MT	BE7	9,110	161	A4	
	4	TA-26	AQ-DL-EN	BE7	7,157	184	A4	
	4	TA-26 Plus	AQ-DL-EN	BE7	7,597	184	A4	
	4	TA-26-12	AQ-DL-EN	BE7	8,417	184	A4	
	4	TA-28	AQ-DL-EN	BE7	9,042	184	A4	
	4	TA-28 Plus	AQ-DL-EN	BE7	9,582	184	A4	
4	TA-29	AQ-D						



TRACTOR	LOADER SELECTION	MOUNTING BRACKETS	HYD.					
MODEL	WD	FT	LOADER MODEL	FOOTNOTES	BRKT KIT	PACKAGE PRICE	REAR AXLE KIT	VALVE JOYSTICK PKG
<b>460 ROW CROP</b>								
2	<input checked="" type="checkbox"/>	WL-21		IH2▲		6,596		A4
2		WL-27		IH2▲		7,626		A4
2		WL-42		IH2▲		8,995		A4
2		TA-26		IH2▲		6,996		A4
2		TA-26 Plus		IH2▲		7,436		A4
2		TA-26-12		IH2▲		8,256		A4
2		TA-28		IH2▲		8,950		A4
2		TA-28 Plus		IH2▲		9,490		A4
2		TA-29		IH2▲		9,845		A4
2		TA-45		IH2▲		9,620		A4
2		TA-46		IH2▲		10,970		A4
2		TA-48		IH2▲		12,135		A4
<b>460 UTILITY</b>								
2		TA-180		DH	IH19	6,665		INC
2	<input checked="" type="checkbox"/>	WL-21		21IH11		6,711		A4
2	<input checked="" type="checkbox"/>	WL-21		DH	21IH14	6,780		A4
2		TA-26		GP	IH16	6,950		A4
2		TA-26 Plus		GP	IH16	7,390		A4
2		TA-26-12		GP	IH16	8,210		A4
<b>464</b>								
2	<input checked="" type="checkbox"/>	WL-21		DB-DH	IH3▲	6,688		A4
2	<input checked="" type="checkbox"/>	WL-21		GP	IH14	6,780		A4
2		WL-27		DB-DH	IH3▲	7,718		A4
2		WL-27		GP	IH14	7,810		A4
2		TA-25		DB-DH	IH3▲	5,759		A4
2		TA-25		GP	IH14	5,828		A4
2		TA-26		GP	IH14	7,088		A4
2		TA-26		DB-DH	IH3▲	7,019		A4
2		TA-26 Plus		GP	IH14	7,528		A4
2		TA-26 Plus		DB-DH	IH3▲	7,459		A4
2		TA-26-12		GP	IH14	8,348		A4
2		TA-26-12		DB-DH	IH3▲	8,279		A4
<b>484</b>								
4	<input checked="" type="checkbox"/>	WL-27		DH	IH3▲	7,718		A4
<b>484 ROW CROP</b>								
2	<input checked="" type="checkbox"/>	WL-21		DH	IH3▲	6,688		A4
2		WL-27		DH	IH3▲	7,718		A4
2		TA-25		AU-DH	IH3▲	5,759		A4
2		TA-26		DH	IH3▲	7,019		A4
2		TA-26 Plus		DH	IH3▲	7,459		A4
2		TA-26-12		DH	IH3▲	8,279		A4
<b>484 UTILITY</b>								
2		TA-160		DH	CD31	5,522		INC
2		TA-25		DH	IH3▲	5,759		A4
2		TA-26		DH	IH3▲	7,019		A4
2	<input checked="" type="checkbox"/>	TA-26 Plus		DH	IH3▲	7,459		A4
2		TA-26-12		DH	IH3▲	8,279		A4
<b>485</b>								
2		TA-160		DH	CD31	5,522		INC
2		TA-170		DH	CD48	6,055		INC
2		TA-175		DH	CD48	6,395		INC
2		WL-21		DH	IH3▲	6,688		A4
2		WL-27		DH	IH3▲	7,718		A4
2	<input checked="" type="checkbox"/>	TA-25		DH	IH3▲	5,759		A4
2		TA-26		DH	IH3▲	7,019		A4
2		TA-26 Plus		DH	IH3▲	7,459		A4
2		TA-26-12		DH	IH3▲	8,279		A4
2		TA-26		DH	IH3▲	7,019		A4
4	<input checked="" type="checkbox"/>	TA-26 Plus		DH	IH3▲	7,459		A4
4		TA-26-12		DH	IH3▲	8,279		A4
<b>485 LOW PROFILE</b>								
2	<input checked="" type="checkbox"/>	TA-160		DH	CD31	5,522		INC
<b>485 UTILITY</b>								
2	<input checked="" type="checkbox"/>	TA-160		DH	CD31	5,522		INC
<b>495</b>								
2		TA-170		DH	CD48	6,055		INC
2		TA-175		DH	CD48	6,395		INC
2		WL-21		DH	IH3▲	6,688		A4
2		WL-27		DH	IH3▲	7,718		A4
2		TA-25		DH	IH3▲	5,759		A4
2		TA-26		DH	IH3▲	7,019		A4
2	<input checked="" type="checkbox"/>	TA-26 Plus		DH	IH3▲	7,459		A4
2		TA-26-12		DH	IH3▲	8,279		A4
4		TA-160		DH	CD31	5,545		INC
4		TA-25		AO	CD20	5,736		A4
4		TA-26		CD20	6,996			A4
4	<input checked="" type="checkbox"/>	TA-26 Plus		CD20	7,436			A4
4		TA-26-12		CD20	8,256			A4

TRACTOR	LOADER SELECTION	MOUNTING BRACKETS	HYD.					
MODEL	WD	FT	LOADER MODEL	FOOTNOTES	BRKT KIT	PACKAGE PRICE	REAR AXLE KIT	VALVE JOYSTICK PKG
<b>495 LOW PROFILE</b>								
2	<input checked="" type="checkbox"/>	TA-160		DH	CD31	5,522		INC
<b>495 UTILITY</b>								
2	<input checked="" type="checkbox"/>	TA-160		DH	CD31	5,522		INC
<b>504</b>								
2		TA-25			IH16	5,690		A4
2		TA-26			IH16	6,950		A4
2	<input checked="" type="checkbox"/>	TA-26 Plus			IH16	7,390		A4
2		TA-26-12			IH16	8,210		A4
<b>504 ROW CROP</b>								
2		WL-21			IH2▲	6,596		A4
2		WL-27			IH2▲	7,626		A4
2		WL-42			IH2▲	8,995		A4
2		TA-25			IH2▲	5,736		A4
2		TA-26			IH2▲	6,996		A4
2	<input checked="" type="checkbox"/>	TA-26 Plus			IH2▲	7,436		A4
2		TA-26-12			IH2▲	8,256		A4
2		TA-28			IH2▲	8,950		A4
2		TA-28 Plus			IH2▲	9,490		A4
2		TA-29			IH2▲	9,845		A4
2		TA-45			IH2▲	9,620		A4
2		TA-46			IH2▲	10,970		A4
2		TA-48			IH2▲	12,135		A4
<b>504 UTILITY</b>								
2		TA-160		DH	CD31	5,522		INC
2		TA-180		DH	IH19	6,665		INC
2	<input checked="" type="checkbox"/>	WL-21			21IH4	6,780		A4
2		WL-27			21IH4	7,810		A4
2		TA-25			IH16	5,690		A4
2		TA-26			IH16	6,950		A4
2		TA-26 Plus			IH16	7,390		A4
2		TA-26-12			IH16	8,210		A4
<b>530</b>								
2	<input checked="" type="checkbox"/>	WL-21			21CD8	6,596		A4
<b>544 ROW CROP</b>								
2		WL-21			IH2▲	6,596		A4
2		WL-27			IH2▲	7,626		A4
2		WL-42			IH2▲	8,995		A4
2		TA-25			IH2▲	5,736		A4
2		TA-26			IH2▲	6,996		A4
2		TA-26 Plus			IH2▲	7,436		A4
2		TA-26-12			IH2▲	8,256		A4
2	<input checked="" type="checkbox"/>	TA-28			IH2▲	8,950		A4
2		TA-28 Plus			IH2▲	9,490		A4
2		TA-29			IH2▲	9,845		A4
2		TA-45			IH2▲	9,620		A4
2		TA-46			IH2▲	10,970		A4
2		TA-48			IH2▲	12,135		A4
<b>544 UTILITY</b>								
2		TA-160		DH	CD31	5,522		INC
2	<input checked="" type="checkbox"/>	WL-21			21IH12	6,550		A4
<b>560</b>								
2		WL-21			IH2▲	6,596		A4
2		WL-27			IH2▲	7,626		A4
2		WL-42			IH2▲	8,995		A4
2		TA-25			IH2▲	5,736		A4
2		TA-26			IH2▲	6,996		A4
2	<input checked="" type="checkbox"/>	TA-26 Plus			IH2▲	7,436		A4
2		TA-26-12			IH2▲	8,256		A4
2		TA-28			IH2▲	8,950		A4
2		TA-28 Plus			IH2▲	9,490		A4
2		TA-29			IH2▲	9,845		A4
2		TA-45			IH2▲	9,620		A4
2		TA-46			IH2▲	10,970		A4
2		TA-48			IH2▲	12,135		A4
2		TA-76			IH13	12,595		A4
2		TA-77			IH13	13,265		A4

TRACTOR	LOADER SELECTION	MOUNTING BRACKETS	HYD.					
MODEL	WD	FT	LOADER MODEL	FOOTNOTES	BRKT KIT	PACKAGE PRICE	REAR AXLE KIT	VALVE JOYSTICK PKG
<b>574</b>								
2		TA-160		DH	IH17	5,568		INC
2	<input checked="" type="checkbox"/>	TA-180		DH	CD82	6,849		INC
2		WL-21		DB-DH	IH3▲	6,688		A4
2		WL-21		GP	IH14	6,780		A4
2		WL-27		DB-DH	IH3▲	7,718		A4
2		WL-27		GP	IH14	7,810		A4
2		TA-25		AU-DH	IH3▲	5,759		A4
2		TA-25		GP	IH14	5,828		A4
2		TA-26		DB-DH	IH3▲	7,019		A4
2		TA-26		GP	IH14	7,088		A4
2	<input checked="" type="checkbox"/>	TA-26 Plus		DB-DH	IH3▲	7,459		A4
2	<input checked="" type="checkbox"/>	TA-26 Plus		GP	IH14	7,528		A4
2		TA-26-12		DB-DH	IH3▲	8,279		A4
2		TA-26-12		GP	IH14	8,348		A4
<b>584 ROW CROP</b>								
2		TA-160		DH	CD31	5,522		INC
2		WL-21		DH	IH3▲	6,688		A4
2		WL-27		DH	IH3▲	7,718		A4
2		TA-25		AU-DH	IH3▲	5,759		A4
2		TA-26		DH	IH3▲	7,019		A4
2	<input checked="" type="checkbox"/>	TA-26 Plus		DH	IH3▲	7,459		A4
2		TA-26-12		DH	IH3▲	8,279		A4
4		TA-25		AU-DH	IH3▲	5,759		A4
4		TA-26		DH	IH3▲	7,019		A4
4	<input checked="" type="checkbox"/>	TA-26 Plus		DH	IH3▲	7,459		A4
4		TA-26-12		DH	IH3▲	8,		

TRACTOR	LOADER SELECTION	MOUNTING BRACKETS	HYD
MODEL	WD FIT LOADER MODEL FOOTNOTES	BRKT KIT PACKAGE PRICE REAR AXLE KIT	VALVE JOYSTICK PKG
<b>730 KING CAB</b>			
2	WL-42 NC	CD2 9,087	A4
2	WL-42 NC	CD38 9,087	A4
2	TA-25 NC	CD2 5,874	A4
2	TA-25 NC	CD38 5,897	A4
2	TA-26 NC	CD2 7,134	A4
2	TA-26 NC	CD38 7,157	A4
2	TA-26 Plus NC	CD2 7,574	A4
2	TA-26 Plus NC	CD38 7,597	A4
2	TA-26-12 NC	CD2 8,394	A4
2	TA-26-12 NC	CD38 8,417	A4
2	TA-28 NC	CD2 9,019	A4
2	TA-28 NC	CD38 9,042	A4
2	TA-28 Plus NC	CD2 9,559	A4
2	TA-28 Plus NC	CD38 9,582	A4
2	TA-29 NC	CD2 9,914	A4
2	TA-29 NC	CD38 9,937	A4
2	TA-45 NC	CD2 9,620	A4
2	TA-45 NC	CD38 9,620	A4
2	TA-46 NC	CD2 10,970	A4
2	TA-46 NC	CD38 10,970	A4
2	TA-48 NC	CD2 12,204	A4
2	TA-48 NC	CD38 12,250	A4
<b>756</b>			
2	WL-21 IH2▲	6,596	A4
2	WL-27 IH2▲	7,626	A4
2	WL-42 IH2▲	8,995	A4
2	TA-26 IH2▲	6,996	A4
2	TA-26 Plus IH2▲	7,436	A4
2	TA-26-12 IH2▲	8,256	A4
2	TA-28 IH2▲	8,950	A4
2	TA-28 Plus IH2▲	9,490	A4
2	TA-29 IH2▲	9,845	A4
2	TA-45 IH2▲	9,620	A4
2	TA-46 IH2▲	10,970	A4
2	TA-48 IH2▲	12,135	A4
2	TA-76 IH13	12,595	A4
2	TA-77 IH13	13,265	A4
<b>766</b>			
2	WL-21 IH1▲	6,688	A4
2	WL-27 IH1▲	7,718	A4
2	WL-42 AK IH1▲	8,995	A4
2	TA-26 IH1▲	7,019	A4
2	TA-26 Plus IH1▲	7,459	A4
2	TA-26-12 IH1▲	8,279	A4
2	TA-28 IH1▲	8,950	A4
2	TA-28 Plus IH1▲	9,490	A4
2	TA-29 IH1▲	9,845	A4
2	TA-45 IH1▲	9,620	A4
2	TA-46 IH1▲	10,970	A4
2	TA-48 IH1▲	12,135	A4
2	TA-76 IH12	12,595	A4
2	TA-77 IH12	13,265	A4
<b>784</b>			
2	WL-21 DH 21H14	6,757	A4
2	WL-27 DH 27H14	7,787	A4
<b>784 ROW CROP</b>			
2	WL-21 DH 21H14	6,757	A4
2	WL-27 DH 27H14	7,787	A4
2	TA-25 AU-DH IH3▲	5,759	A4
2	TA-26 DH IH3▲	7,019	A4
2	TA-26 Plus DH IH3▲	7,459	A4
2	TA-26-12 DH IH3▲	8,279	A4
<b>784 UTILITY</b>			
2	TA-26 DH IH3▲	7,019	A4
2	TA-26 Plus DH IH3▲	7,459	A4
2	TA-26-12 DH IH3▲	8,279	A4
<b>784 UTILITY</b>			
2	TA-26 DH IH3▲	7,019	A4
2	TA-26 Plus DH IH3▲	7,459	A4
2	TA-26-12 DH IH3▲	8,279	A4
<b>786</b>			
2	WL-21 IH1▲	6,688	A4
2	WL-27 IH1▲	7,718	A4
2	WL-42 AK IH1▲	8,995	A4
2	TA-26 IH1▲	7,019	A4
2	TA-26 Plus IH1▲	7,459	A4
2	TA-26-12 IH1▲	8,279	A4
2	TA-28 IH1▲	8,950	A4
2	TA-28 Plus IH1▲	9,490	A4
2	TA-29 IH1▲	9,845	A4
2	TA-45 IH1▲	9,620	A4
2	TA-46 IH1▲	10,970	A4
2	TA-48 IH1▲	12,135	A4

TRACTOR	LOADER SELECTION	MOUNTING BRACKETS	HYD
MODEL	WD FIT LOADER MODEL FOOTNOTES	BRKT KIT PACKAGE PRICE REAR AXLE KIT	VALVE JOYSTICK PKG
<b>800</b>			
2	WL-21 NC 21CD1	6,550	A4
2	WL-21 NC	CD38 6,849	A4
2	WL-27 NC 27CD1	7,580	A4
2	WL-27 NC	CD38 7,879	A4
2	WL-42 NC	CD2 9,087	A4
2	TA-25 NC	CD2 5,874	A4
2	TA-26 NC	CD2 7,134	A4
2	TA-26 Plus NC	CD2 7,574	A4
2	TA-26-12 NC	CD2 8,394	A4
2	TA-28 NC	CD2 9,019	A4
2	TA-28 Plus NC	CD2 9,559	A4
2	TA-29 NC	CD2 9,914	A4
2	TA-45 NC	CD2 9,620	A4
2	TA-46 NC	CD2 10,970	A4
2	TA-48 NC	CD2 12,204	A4
<b>806</b>			
2	WL-27 IH2▲	7,626	A4
2	WL-42 IH2▲	8,995	A4
2	TA-26 IH2▲	6,996	A4
2	TA-26 Plus IH2▲	7,436	A4
2	TA-26-12 IH2▲	8,256	A4
2	TA-28 IH2▲	8,950	A4
2	TA-28 Plus IH2▲	9,490	A4
2	TA-29 IH2▲	9,845	A4
2	TA-45 IH2▲	9,620	A4
2	TA-46 IH2▲	10,970	A4
2	TA-48 IH2▲	12,135	A4
2	TA-76 IH13	12,595	A4
2	TA-77 IH13	13,265	A4
<b>826</b>			
2	WL-27 IH2▲	7,626	A4
2	WL-42 IH2▲	8,995	A4
2	TA-26 IH2▲	6,996	A4
2	TA-26 Plus IH2▲	7,436	A4
2	TA-26-12 IH2▲	8,256	A4
2	TA-28 IH2▲	8,950	A4
2	TA-28 Plus IH2▲	9,490	A4
2	TA-29 IH2▲	9,845	A4
2	TA-45 IH2▲	9,620	A4
2	TA-46 IH2▲	10,970	A4
2	TA-48 IH2▲	12,135	A4
2	TA-76 IH13	12,595	A4
2	TA-77 IH13	13,265	A4
<b>830</b>			
2	WL-21 NC 21CD1	6,550	A4
2	WL-21 NC	CD38 6,849	A4
2	WL-27 NC 27CD1	7,580	A4
2	WL-27 NC	CD38 7,879	A4
2	WL-42 NC	CD2 9,087	A4
2	TA-25 NC	CD2 5,874	A4
2	TA-26 NC	CD2 7,134	A4
2	TA-26 Plus NC	CD2 7,574	A4
2	TA-26-12 NC	CD2 8,394	A4
2	TA-28 Plus NC	CD2 9,559	A4
2	TA-29 NC	CD2 9,914	A4
2	TA-29 NC	CD38 9,937	A4
2	TA-45 NC	CD2 9,620	A4
2	TA-46 NC	CD2 10,970	A4
2	TA-48 NC	CD2 12,204	A4
2	TA-48 NC	CD38 12,250	A4
<b>856</b>			
2	WL-27 IH2▲	7,626	A4
2	WL-42 IH2▲	8,995	A4
2	TA-26 IH2▲	6,996	A4
2	TA-26 Plus IH2▲	7,436	A4
2	TA-26-12 IH2▲	8,256	A4
2	TA-28 IH2▲	8,950	A4
2	TA-28 Plus IH2▲	9,490	A4
2	TA-29 IH2▲	9,845	A4
2	TA-45 IH2▲	9,620	A4
2	TA-46 IH2▲	10,970	A4
2	TA-48 IH2▲	12,135	A4
2	TA-76 IH13	12,595	A4
2	TA-77 IH13	13,265	A4
<b>870</b>			
2	WL-42 CD1▲	9,110	A4
2	TA-25 CD1▲	5,920	A4
2	TA-26 CD1▲	7,180	A4
2	TA-26 Plus CD1▲	7,620	A4
2	TA-26-12 CD1▲	8,440	A4
2	TA-28 CD1▲	9,065	A4
2	TA-28 Plus CD1▲	9,605	A4
2	TA-29 CD1▲	9,960	A4
2	TA-45 CD1▲	9,620	A4
2	TA-46 CD1▲	11,039	A4
2	TA-48 CD1▲	12,250	A4
<b>870 C-A-M</b>			
2	WL-42 CD1▲	9,110	A4
<b>880 DB</b>			
2	WL-21 21CD14	6,619	A4

TRACTOR	LOADER SELECTION	MOUNTING BRACKETS	HYD
MODEL	WD FIT LOADER MODEL FOOTNOTES	BRKT KIT PACKAGE PRICE REAR AXLE KIT	VALVE JOYSTICK PKG
<b>830 C-A-M</b>			
2	WL-21 NC 21CD1	6,550	A4
2	WL-21 NC	CD38 6,849	A4
2	WL-27 NC 27CD1	7,580	A4
2	WL-27 NC	CD38 7,879	A4
2	WL-42 NC	CD2 9,087	A4
2	TA-25 NC	CD2 5,874	A4
2	TA-26 NC	CD2 7,134	A4
2	TA-26 Plus NC	CD2 7,574	A4
2	TA-26-12 NC	CD2 8,394	A4
2	TA-28 Plus NC	CD2 9,559	A4
2	TA-29 NC	CD2 9,914	A4
2	TA-29 NC	CD38 9,937	A4
2	TA-45 NC	CD2 9,620	A4
2	TA-46 NC	CD2 10,970	A4
2	TA-48 NC	CD2 12,204	A4
2	TA-48 NC	CD38 12,250	A4
<b>830 KING CAB</b>			
2	WL-42 NC	CD2 9,087	A4
2	WL-42 NC	CD38 9,087	A4
2	TA-25 NC	CD2 5,874	A4
2	TA-25 NC	CD38 5,897	A4
2	TA-26 NC	CD2 7,134	A4
2	TA-26 NC	CD38 7,157	A4
2	TA-26 Plus NC	CD2 7,574	A4
2	TA-26 Plus NC	CD38 7,597	A4
2	TA-26-12 NC	CD2 8,394	A4
2	TA-26-12 NC	CD38 8,417	A4
2	TA-28 NC	CD2 9,019	A4
2	TA-28 Plus NC	CD2 9,559	A4
2	TA-29 NC	CD2 9,914	A4
2	TA-29 NC	CD38 9,937	A4
2	TA-45 NC	CD2 9,620	A4
2	TA-46 NC	CD2 10,970	A4
2	TA-48 NC	CD2 12,204	A4
2	TA-48 NC	CD38 12,250	A4
<b>856</b>			
2	WL-27 IH2▲	7,626	A4
2	WL-42 IH2▲	8,995	A4
2	TA-26 IH2▲	6,996	A4
2	TA-26 Plus IH2▲	7,436	A4
2	TA-26-12 IH2▲	8,256	A4
2	TA-28 IH2▲	8,950	A4
2	TA-28 Plus IH2▲	9,490	A4
2	TA-29 IH2▲	9,845	A4
2	TA-45 IH2▲	9,620	A4
2	TA-46 IH2▲	10,970	A4
2	TA-48 IH2▲	12,135	A4
2	TA-76 IH13	12,595	A4
2	TA-77 IH13	13,265	A4
<b>870</b>			
2	WL-42 CD1▲	9,110	A4
2	TA-25 CD1▲	5,920	A4
2	TA-26 CD1▲	7,180	A4
2	TA-26 Plus CD1▲	7,620	A4
2	TA-26-12 CD1▲	8,440	A4
2	TA-28 CD1▲	9,065	A4
2	TA-28 Plus CD1▲	9,605	A4
2	TA-29 CD1▲	9,960	A4
2	TA-45 CD1▲	9,620	A4
2	TA-46 CD1▲	11,039	A4
2	TA-48 CD1▲	12,250	A4
<b>870 C-A-M</b>			
2	WL-42 CD1▲	9,110	A4
<b>880 DB</b>			
2	WL-21 21CD14	6,619	A4

TRACTOR	LOADER SELECTION	MOUNTING BRACKETS	HYD
MODEL	WD FIT LOADER MODEL FOOTNOTES	BRKT KIT PACKAGE PRICE REAR AXLE KIT	VALVE JOYSTICK PKG
<b>884</b>			
2	WL-21 DH 21H14	6,757	A4
2	WL-27 DH 27H14	7,787	A4
4	WL-42 DH 42H11	9,041	A4
<b>884 ROW CROP</b>			
2	WL-21 DH 21H14	6,757	A4
2	WL-27 DH 27H14	7,787	A4
2	WL-42 DH 42H10	8,995	A4
2	TA-26 AU-DH IH3▲	7,019	A4
2	TA-26 Plus AU-DH IH3▲	7,459	A4
2	TA-26-12 AU-DH IH3▲	8,279	A4
<b>884 UTILITY</b>			
2	TA-26 AU-DH IH3▲	7,019	A4
2	TA-26 Plus AU-DH IH3▲	7,459	A4
2	TA-26-12 AU-DH IH3▲	8,279	A4
<b>885</b>			
2	WL-21 DH 21H14	6,757	A4
2	WL-21 DW-GO CD27	6,826	A4
2	WL-27 DH 27H14	7,787	A4
2	TA-25 AU-DH IH3▲	5,759	A4
2	TA-26 Plus AU-DH IH3▲	7,459	A4
2	TA-26-12 AU-DH IH3▲	8,279	A4
<b>885 CASE</b>			



TRACTOR	LOADER SELECTION	MOUNTING BRACKETS	HYD.					
MODEL	WD	FT	LOADER MODEL	FOOTNOTES	BRKT KIT	PACKAGE PRICE	REAR AXLE KIT	VALVE JOYSTICK PKG.
<b>995 CASE IH</b>								
2	WL-27	DH	27H14	7.787				A4
<b>995 CASE IH TYPE 2 AND TYPE 3 FRONT CASTING</b>								
2	TA-26	AG-AO-AU-CK	CD11	7.410	INC			A4
2	TA-26 Plus	AG-AO-AU-CK	CD11	7.850	INC			A4
2	TA-26-12	AG-AO-AU-CK	CD11	8.670	INC			A4
2	TA-28	AG-AO-AU-CK-NK	CD11	9.295	INC			A4
2	TA-28 Plus	DH	CD22	9.559				A4
2	TA-29	DH	CD22	9.914				A4
4	TA-26	AA-AO-DB-EE	CD11	7.410	INC			A4
4	TA-26 Plus	AA-AO-DB-EE	IH14	7.088	INC			A4
4	TA-26 Plus	AA-AO-DB-EE	CD11	7.850	INC			A4
4	TA-26 Plus	AA-AO-DB-EE	IH14	7.528	INC			A4
4	TA-26-12	AA-AO-DB-EE	CD11	8.670	INC			A4
4	TA-26-12	AA-AO-DB-EE	IH14	8.348	INC			A4
4	TA-28	AA-AO-DB-NK	CD11	9.295	INC			A4
4	TA-28	AA-AO-DB-NK	IH14	9.088	INC			A4
4	TA-28	AD-DH-EE	CD22	9.019				A4
4	TA-28 Plus	AD-DH-EE	CD22	9.559				A4
4	TA-29	AD-DH-EE	CD22	9.914				A4
4	TA-45	DH	CD22	9.620				A4
4	TA-46	DH	CD22	10.993				A4
<b>995 DB</b>								
2	WL-21		CD3	6.642				A4
2	TA-26		CD3	6.950				A4
2	TA-26 Plus		CD3	7.390				A4
2	TA-26-12		CD3	8.210				A4
<b>1026</b>								
2	WL-42	GD	IH2▲	8.995				A4
2	TA-26		IH2▲	6.996				A4
2	TA-26 Plus		IH2▲	7.436				A4
2	TA-26-12		IH2▲	8.256				A4
2	TA-28		IH2▲	8.950				A4
2	TA-28 Plus		IH2▲	9.490				A4
2	TA-29		IH2▲	9.845				A4
2	TA-45		IH2▲	9.620				A4
2	TA-46		IH2▲	10.970				A4
2	TA-48		IH2▲	12.135				A4
2	TA-76		IH13	12.595				A4
2	TA-77		IH13	13.265				A4
<b>1030</b>								
2	WL-42	NC	CD2	9.087				A4
2	WL-42	NC	CD38	9.087				A4
2	TA-26	NC	CD2	7.134				A4
2	TA-26	NC	CD38	7.157				A4
2	TA-26 Plus	NC	CD2	7.574				A4
2	TA-26 Plus	NC	CD38	7.597				A4
2	TA-26-12	NC	CD2	8.394				A4
2	TA-26-12	NC	CD38	8.417				A4
2	TA-28	NC	CD2	9.019				A4
2	TA-28	NC	CD38	9.042				A4
2	TA-28 Plus	NC	CD2	9.559				A4
2	TA-28 Plus	NC	CD38	9.582				A4
2	TA-29	NC	CD2	9.914				A4
2	TA-29	NC	CD38	9.937				A4
2	TA-45	NC	CD2	9.620				A4
2	TA-45	NC	CD38	9.620				A4
2	TA-46	NC	CD2	10.970				A4
2	TA-46	NC	CD38	10.970				A4
2	TA-48	NC	CD2	12.204				A4
2	TA-48	NC	CD38	12.250				A4
<b>1031</b>								
2	WL-42	NC	CD2	9.087				A4
2	WL-42	NC	CD38	9.087				A4
2	TA-26	NC	CD2	7.134				A4
2	TA-26	NC	CD38	7.157				A4
2	TA-26 Plus	NC	CD2	7.574				A4
2	TA-26 Plus	NC	CD38	7.597				A4
2	TA-26-12	NC	CD2	8.394				A4
2	TA-26-12	NC	CD38	8.417				A4
2	TA-28	NC	CD2	9.019				A4
2	TA-28	NC	CD38	9.042				A4
2	TA-28 Plus	NC	CD2	9.559				A4
2	TA-28 Plus	NC	CD38	9.582				A4
2	TA-29	NC	CD2	9.914				A4
2	TA-29	NC	CD38	9.937				A4
2	TA-45	NC	CD2	9.620				A4
2	TA-45	NC	CD38	9.620				A4
2	TA-46	NC	CD2	10.970				A4
2	TA-46	NC	CD38	10.970				A4
2	TA-48	NC	CD2	12.204				A4
2	TA-48	NC	CD38	12.250				A4

TRACTOR	LOADER SELECTION	MOUNTING BRACKETS	HYD.					
MODEL	WD	FT	LOADER MODEL	FOOTNOTES	BRKT KIT	PACKAGE PRICE	REAR AXLE KIT	VALVE JOYSTICK PKG.
<b>1066</b>								
2	WL-42	AK	IH1▲	8.995				A4
2	TA-26		IH1▲	7.019				A4
2	TA-26 Plus		IH1▲	7.459				A4
2	TA-26-12		IH1▲	8.279				A4
2	TA-28		IH1▲	8.950				A4
2	TA-28 Plus		IH1▲	9.490				A4
2	TA-29		IH1▲	9.845				A4
2	TA-45		IH1▲	9.620				A4
2	TA-46		IH1▲	10.970				A4
2	TA-48		IH1▲	12.135				A4
2	TA-76		IH12	12.595				A4
2	TA-77		IH12	13.265				A4
<b>1070</b>								
2	WL-42		CD1▲	9.110				A4
2	TA-26		CD1▲	7.180				A4
2	TA-26 Plus		CD1▲	7.620				A4
2	TA-26-12		CD1▲	8.440				A4
2	TA-28		CD1▲	9.065				A4
2	TA-28 Plus		CD1▲	9.605				A4
2	TA-29		CD1▲	9.960				A4
2	TA-45		CD1▲	9.620				A4
2	TA-46		CD1▲	11.039				A4
2	TA-48		CD1▲	12.250				A4
<b>1086</b>								
2	WL-42	AK	IH1▲	8.995				A4
2	WL-64D	AK/AO	64DH1	12.476	345			A4
2	TA-26		IH1▲	7.019				A4
2	TA-26 Plus		IH1▲	7.459				A4
2	TA-26-12		IH1▲	8.279				A4
2	TA-28		IH1▲	8.950				A4
2	TA-28 Plus		IH1▲	9.490				A4
2	TA-29		IH1▲	9.845				A4
2	TA-45		IH1▲	9.620				A4
2	TA-46		IH1▲	10.970				A4
2	TA-48		IH1▲	12.135				A4
2	TA-76		IH12	12.595				A4
2	TA-77		IH12	13.265				A4
<b>1120</b>								
4	TA-55		55CD3	4.540				INC
<b>1130</b>								
2	TA-55	EZ	55CD2	4.609				INC
2	TA-111	EX	111CD4	5.094				INC
2	TA-111	EZ	111CD3	5.071				INC
4	TA-111	EX	111CD4	5.094				INC
<b>1140</b>								
2	TA-55	EZ	55CD2	4.609				INC
2	TA-111	EZ	111CD3	5.071				INC
2	WL-42		CD1▲	9.110				A4
<b>1170</b>								
2	WL-42		CD1▲	9.110				A4
2	TA-26		CD1▲	7.180				A4
2	TA-26 Plus		CD1▲	7.620				A4
2	TA-26-12		CD1▲	8.440				A4
2	TA-28		CD1▲	9.065				A4
2	TA-28 Plus		CD1▲	9.605				A4
2	TA-29		CD1▲	9.960				A4
2	TA-45		CD1▲	9.620				A4
2	TA-46		CD1▲	11.039				A4
2	TA-48		CD1▲	12.250				A4
<b>1175</b>								
2	WL-42		CD1▲	9.110				A4
2	TA-26		CD1▲	7.180				A4
2	TA-26 Plus		CD1▲	7.620				A4
2	TA-26-12		CD1▲	8.440				A4
2	TA-28		CD1▲	9.065				A4
2	TA-28 Plus		CD1▲	9.605				A4
2	TA-29		CD1▲	9.960				A4
2	TA-45		CD1▲	9.620				A4
2	TA-46		CD1▲	11.039				A4
2	TA-48		CD1▲	12.250				A4
<b>1190</b>								
2	WL-21		21CD13	6.734				A4
<b>1194</b>								
2	WL-21		21CD13	6.734				A4
2	TA-25		CD9	5.690				A4
2	TA-26		CD9	6.950				A4
2	TA-26 Plus		CD9	7.390				A4
2	TA-26-12		CD9	8.210				A4
4	TA-25		CD9	5.690				A4
4	TA-26		CD9	6.950				A4
4	TA-26 Plus		CD9	7.390				A4
4	TA-26-12		CD9	8.210				A4

TRACTOR	LOADER SELECTION	MOUNTING BRACKETS	HYD.					
MODEL	WD	FT	LOADER MODEL	FOOTNOTES	BRKT KIT	PACKAGE PRICE	REAR AXLE KIT	VALVE JOYSTICK PKG.
<b>1200 DB</b>								
2	WL-21		21CD6	6.642				A4
2	WL-42		42CD4	8.995				A4
<b>1206</b>								
2	WL-42		IH2▲	8.995				A4
2	TA-26		IH2▲	6.996				A4
2	TA-26 Plus		IH2▲	7.436				A4
2	TA-26-12		IH2▲	8.256				

TRACTOR	LOADER SELECTION	MOUNTING BRACKETS	HYD.					
MODEL	WD	FT	LOADER MODEL	FOOTNOTES	BRKT KIT	PACKAGE PRICE	REAR AXLE KIT	VALVE JOYSTICK PKG
<b>3220</b>								
2	WL-21				CD25	6,872		A4
2	WL-27				CD25	7,902		A4
2	WL-42		BY-DH		CD25	9,133		A4
2	TA-25		DH	IH3▲		5,759		A4
2	TA-26		DH	IH3▲		7,019		A4
2	TA-26 Plus		DH	IH3▲		7,459		A4
2	TA-26-12		DH	IH3▲		8,279		A4
2	TA-28				CD25	9,088		A4
2	TA-28 Plus				CD25	9,628		A4
2	TA-29				CD25	9,983		A4
<b>3220 TYPE 3 FRONT CASTING</b>								
4	TA-26				CD26	6,996		A4
4	TA-26 Plus				CD26	7,436		A4
4	TA-26-12				CD26	8,256		A4
<b>3230</b>								
2	WL-21				CD27	6,826		A4
2	WL-42		DH		CD24	9,064		A4
4	CC-330				CD74	8,715		A4
<b>3230 TYPE 1 FRONT CASTING</b>								
2	WL-27		AU		CD27	7,856		A4
2	TA-25		AU		CD27	5,897		A4
2	TA-26		AU		CD27	7,157		A4
2	TA-26 Plus		AU		CD27	7,597		A4
2	TA-26-12		AU		CD27	8,417		A4
<b>3230 TYPE 2 AND TYPE 3 FRONT CASTING</b>								
4	TA-26		AO-EE-DH-NK		CD22	7,134		A4
4	TA-26 Plus		AO-EE-DH-NK		CD22	7,574		A4
4	TA-26-12		AO-EE-DH-NK		CD22	8,394		A4
4	TA-28		AO-DH-EE		CD22	9,019		A4
4	TA-28 Plus		AO-DH-EE		CD22	9,559		A4
4	TA-29		AO-DH-EE		CD22	9,914		A4
4	TA-45		AO-DH-EE		CD22	9,620		A4
<b>3230 TYPE 3 FRONT CASTING</b>								
2	WL-21		DH		CD24	6,757		A4
2	WL-27		DH		CD24	7,787		A4
2	TA-25		AU		CD24	5,851		A4
2	TA-26		AU		CD24	7,111		A4
2	TA-26 Plus		AU		CD24	7,551		A4
2	TA-26-12		AU		CD24	8,371		A4
2	TA-28		DH		CD24	8,996		A4
2	TA-28 Plus		DH		CD24	9,536		A4
2	TA-29		DH		CD24	9,891		A4
2	TA-45		DH		CD24	9,620		A4
<b>3230 XL</b>								
4	CC-330		EE		CD74	8,715		A4
<b>3288</b>								
2	WL-42A		BR-EY	42AIH9	9,458			A4/C4
2	TA-46		EY-NK	IH7	10,970			A4/C4
2	TA-48		EY	IH7	12,135			A4/C4
2	TA-76		EY	IH7	12,595			A4/C4
2	TA-77		EY	IH7	13,265			A4/C4
<b>3288 CENTER LINE DRIVE SHAFT</b>								
4	TA-46		EY-NK	IH7	10,970			A4/C4
4	TA-48		DF-EY	IH7	12,135			A4/C4
4	TA-76		EY	IH7	12,595			A4/C4
4	TA-77		EY	IH7	13,265			A4/C4
<b>3288 ELWOOD OFFSET DRIVE SHAFT</b>								
4	WL-64		AA-CT-EY	64IH7	12,706	INC		A4/C4
<b>3288 OFFSET 4WD DRIVE SHAFT</b>								
4	TA-46		EY-NK	IH9	10,970			A4/C4
4	TA-48		DF-EY	IH9	12,135			A4/C4
<b>3294</b>								
2	TA-76		CE	CD10▲	12,917			A4
2	TA-77		CE	CD10▲	13,587			A4
4	TA-76		CE	CD10▲	12,917			A4
4	TA-77		CE	CD10▲	13,587			A4
<b>3394</b>								
4	TA-76		CE	CD10▲	12,917			A4
4	TA-77		CE	CD10▲	13,587			A4
<b>3488</b>								
2	WL-42A		BR-EY	42AIH9	9,458			A4/C4
2	WL-61		EY	61IH5	10,745			A4/C4
2	TA-46		EY-NK	IH7	10,970			A4/C4
2	TA-48		EY	IH7	12,135			A4/C4
2	TA-76		EY	IH7	12,595			A4/C4
2	TA-77		EY	IH7	13,265			A4/C4

TRACTOR	LOADER SELECTION	MOUNTING BRACKETS	HYD.					
MODEL	WD	FT	LOADER MODEL	FOOTNOTES	BRKT KIT	PACKAGE PRICE	REAR AXLE KIT	VALVE JOYSTICK PKG
<b>3488 CENTER LINE DRIVE SHAFT</b>								
4	TA-46		EY-NK	IH7	10,970			A4/C4
4	TA-48		DF-EY	IH7	12,135			A4/C4
4	TA-76		EY	IH7	12,595			A4/C4
4	TA-77		EY	IH7	13,265			A4/C4
<b>3488 ELWOOD OFFSET DRIVE SHAFT</b>								
4	WL-64		AA-CT-EY	64IH7	12,706	INC		A4/C4
<b>3488 HYDRO</b>								
2	WL-64		AM-BREY	64IH3	12,430			A4/C4
<b>3488 OFFSET 4WD DRIVE SHAFT</b>								
4	TA-46		EY-NK	IH9	10,970			A4/C4
4	TA-48		DF-EY	IH9	12,135			A4/C4
<b>3594</b>								
4	TA-76		CE	CD10▲	12,917			A4
4	TA-77		CE	CD10▲	13,587			A4
<b>3688</b>								
2	WL-42A		BR-EY	42AIH9	9,458			A4/C4
2	TA-46		EY-NK	IH7	10,970			A4/C4
2	TA-48		EY	IH7	12,135			A4/C4
2	TA-76		EY	IH7	12,595			A4/C4
2	TA-77		EY	IH7	13,265			A4/C4
4	WL-64		AA-CT-EY	64IH7	12,706	INC		A4/C4
<b>3688 CENTER LINE DRIVE SHAFT</b>								
4	TA-46		EY-NK	IH7	10,970			A4/C4
4	TA-48		DF-EY	IH7	12,135			A4/C4
4	TA-76		EY	IH7	12,595			A4/C4
4	TA-77		EY	IH7	13,265			A4/C4
<b>3688 OFFSET 4WD DRIVE SHAFT</b>								
4	TA-46		EY-NK	IH9	10,970			A4/C4
4	TA-48		DF-EY	IH9	12,135			A4/C4
<b>4210</b>								
2	WL-21				CD27	6,826		A4
2	WL-42		DH		CD24	9,064		A4
4	CC-330		EE		CD74	8,715		A4
<b>4210 TYPE 1 FRONT CASTING</b>								
2	WL-27		AU		CD27	7,856		A4
2	TA-25		AU		CD27	5,897		A4
2	TA-26		AU		CD27	7,157		A4
2	TA-26 Plus		AU		CD27	7,597		A4
2	TA-26-12		AU		CD27	8,417		A4
<b>4210 TYPE 2 AND TYPE 3 FRONT CASTING</b>								
4	TA-26		AO-EE-DH-NK		CD22	7,134		A4
4	TA-26 Plus		AO-EE-DH-NK		CD22	7,574		A4
4	TA-26-12		AO-EE-DH-NK		CD22	8,394		A4
4	TA-28		AO-DH-EE		CD22	9,019		A4
4	TA-28 Plus		AO-DH-EE		CD22	9,559		A4
4	TA-29		AO-DH-EE		CD22	9,914		A4
4	TA-45		AO-DH-EE		CD22	9,620		A4
<b>4210 TYPE 3 FRONT CASTING</b>								
2	WL-21		DH		CD24	6,757		A4
2	WL-27		DH		CD24	7,787		A4
2	TA-25		AU		CD24	5,851		A4
2	TA-26		AU		CD24	7,111		A4
2	TA-26 Plus		AU		CD24	7,551		A4
2	TA-26-12		AU		CD24	8,371		A4
2	TA-28		DH		CD24	8,996		A4
2	TA-28 Plus		DH		CD24	9,536		A4
2	TA-29		DH		CD24	9,891		A4
2	TA-45		DH		CD24	9,620		A4
<b>4210 XL</b>								
4	CC-330		EE		CD74	8,715		A4
<b>4210XL TYPE 2 AND TYPE 3 FRONT CASTING</b>								
4	TA-25		AO-EN		CD11	6,150		A4
4	TA-26		AO-EE		CD11	7,410		A4
4	TA-26 Plus		AO-EE		CD11	7,850		A4
4	TA-26-12		AO-EE		CD11	8,670		A4
<b>4230</b>								
2	WL-21				CD27	6,826		A4
2	WL-42		DH		CD24	9,064		A4
4	CC-330		EE		CD74	8,715		A4
<b>4230 TYPE 1 FRONT CASTING</b>								
2	WL-27		AU		CD27	7,856		A4
2	TA-25		AU		CD27	5,897		A4
2	TA-26		AU		CD27	7,157		A4
2	TA-26 Plus		AU		CD27	7,597		A4
2	TA-26-12		AU		CD27	8,417		A4

TRACTOR	LOADER SELECTION	MOUNTING BRACKETS	HYD.					
MODEL	WD	FT	LOADER MODEL	FOOTNOTES	BRKT KIT	PACKAGE PRICE	REAR AXLE KIT	VALVE JOYSTICK PKG
<b>4230 TYPE 2 AND TYPE 3 FRONT CASTING</b>								
2	TA-25		CK		CD11	6,150	INC	A4
2	TA-26		CK		CD11	7,410	INC	A4
2	TA-26 Plus		CK		CD11	7,850	INC	A4
2	TA-26-12		CK		CD11	8,670	INC	A4
4	TA-26		AO-EE-DH-NK		CD22	7,134		A4
4	TA-26 Plus		AO-EE-DH-NK		CD22	7,574		A4
4	TA-26-12		AO-EE-DH-NK		CD22	8,394		A4
4	TA-28		AO-DH-EE		CD22	9,019		A4
4	TA-28 Plus		AO-DH-EE		CD22	9,559		A4
4	TA-29		AO-DH-EE		CD22	9,914		A4
4	TA-45		AO-DH-EE		CD22	9,620		A4
<b>4230XL TYPE 2 AND TYPE 3 FRONT CASTING</b>								
4	TA-26		AO-EN		CD11	7,410		A4
4	TA-26 Plus		AO-EN		CD11	7,850		A4
4	TA-26-12		AO-EN		CD11	8,670		A4
<b>4230 XL</b>								
4	CC-330		EE		CD74	8,715		A4
<b>4240</b>								
2	WL-21				CD27	6,826		A4
2	WL-42		DH		CD24	9,064		A4
4	CC-330		EE		CD74	8,715		A4
<b>4240 TYPE 1 FRONT CASTING</b>								
2	WL-27		AU		CD27	7,856		A4
2	TA-25		AU		CD27	5,897		A4
2	TA-26		AU					



TRACTOR	LOADER SELECTION		MOUNTING BRACKETS		HYD.		
MODEL	WD	FIT LOADER MODEL	FOOTNOTES	BRKT KIT	PACKAGE PRICE	REAR AXLE KIT	VALVE JOYSTICK PKG.
<b>7210</b>	2	TA-46	MR	CD41	10,970		C4
2	TA-48	MR	CD41	12,181			C4
2	TA-76	MR	CD41	12,595			C4
2	TA-77	MR	CD41	13,265			C4
2	XTA-700	MR	700CD1	13,403			C4
2	CC-370	MR	700CD1	14,693			C4
2	FM-570	MR	CD95	17,475			C4
4	TA-76	AO-MR	CD13	12,595			C4
4	TA-77	AO-MR	CD13	13,265			C4
4	XTA-700	AO-MR	700CD1	13,403			C4
4	CC-370	AO-MR	700CD1	14,693			C4
4	FM-570	EK-MR	CD95	17,475			C4
<b>7220</b>	2	TA-46	MR	CD41	10,970		C4
2	TA-48	MR	CD41	12,181			C4
2	TA-76	MR	CD41	12,595			C4
2	TA-77	MR	CD41	13,265			C4
2	XTA-700	MR	700CD1	13,403			C4
2	CC-370	MR	700CD1	14,693			C4
2	FM-570	MR	CD95	17,475			C4
4	TA-76	AO-MR	CD13	12,595			C4
4	TA-77	AO-MR	CD13	13,265			C4
4	XTA-700	AO-MR	700CD1	13,403			C4
4	CC-370	AO-MR	700CD1	14,693			C4
4	FM-570	EK-MR	CD95	17,475			C4
<b>7230</b>	2	TA-46	MR	CD41	10,970		C4
2	TA-48	MR	CD41	12,181			C4
2	TA-76	MR	CD41	12,595			C4
2	TA-77	MR	CD41	13,265			C4
2	XTA-700	MR	700CD1	13,403			C4
2	CC-370	MR	700CD1	14,693			C4
2	FM-570	MR	CD95	17,475			C4
4	TA-76	AO-MR	CD13	12,595			C4
4	TA-77	AO-MR	CD13	13,265			C4
4	XTA-700	AO-MR	700CD1	13,403			C4
4	CC-370	AO-MR	700CD1	14,693			C4
4	FM-570	EK-MR	CD95	17,475			C4
<b>7240</b>	2	TA-46	MR	CD41	10,970		C4
2	TA-48	MR	CD41	12,181			C4
2	TA-76	MR	CD41	12,595			C4
2	TA-77	MR	CD41	13,265			C4
2	XTA-700	MR	700CD1	13,403			C4
2	CC-370	MR	700CD1	14,693			C4
2	FM-570	MR	CD95	17,475			C4
4	TA-76	AO-MR	CD13	12,595			C4
4	TA-77	AO-MR	CD13	13,265			C4
4	XTA-700	AO-MR	700CD1	13,403			C4
4	CC-370	AO-MR	700CD1	14,693			C4
4	FM-570	EK-MR	CD95	17,475			C4
<b>7250</b>	2	TA-46	MR	CD41	10,970		C4
2	TA-48	MR	CD41	12,181			C4
2	TA-76	MR	CD41	12,595			C4
2	TA-77	MR	CD41	13,265			C4
2	XTA-700	MR	700CD1	13,403			C4
2	CC-370	MR	700CD1	14,693			C4
2	FM-570	MR	CD95	17,475			C4
4	TA-76	AO-MR	CD13	12,595			C4
4	TA-77	AO-MR	CD13	13,265			C4
4	XTA-700	AO-MR	700CD1	13,403			C4
4	CC-370	AO-MR	700CD1	14,693			C4
4	FM-570	EK-MR	CD95	17,475			C4
<b>8910</b>	2	TA-46	MR	CD41	10,970		C4
2	TA-48	MR	CD41	12,181			C4
2	TA-76	MR	CD41	12,595			C4
2	TA-77	MR	CD41	13,265			C4
2	XTA-700	MR	700CD1	13,403			C4
2	CC-370	MR	700CD1	14,693			C4
2	FM-570	MR	CD95	17,475			C4
4	TA-76	AO-MR	CD13	12,595			C4
4	TA-77	AO-MR	CD13	13,265			C4
4	XTA-700	AO-MR	700CD1	13,403			C4
4	CC-370	AO-MR	700CD1	14,693			C4
4	FM-570	EK-MR	CD95	17,475			C4

TRACTOR	LOADER SELECTION		MOUNTING BRACKETS		HYD.		
MODEL	WD	FIT LOADER MODEL	FOOTNOTES	BRKT KIT	PACKAGE PRICE	REAR AXLE KIT	VALVE JOYSTICK PKG.
<b>8920</b>	2	TA-46	MR	CD41	10,970		C4
2	TA-48	MR	CD41	12,181			C4
2	TA-76	MR	CD41	12,595			C4
2	TA-77	MR	CD41	13,265			C4
2	XTA-700	MR	700CD1	13,403			C4
2	CC-370	MR	700CD1	14,693			C4
2	FM-570	MR	CD95	17,475			C4
4	TA-76	AO-MR	CD13	12,595			C4
4	TA-77	AO-MR	CD13	13,265			C4
4	XTA-700	AO-EK-MR	700CD1	13,403			C4
4	CC-370	AO-EK-MR	700CD1	14,693			C4
4	FM-570	EK-MR	CD95	17,475			C4
<b>8930</b>	2	TA-46	MR	CD41	10,970		C4
2	TA-48	MR	CD41	12,181			C4
2	TA-76	MR	CD41	12,595			C4
2	TA-77	MR	CD41	13,265			C4
2	XTA-700	MR	700CD1	13,403			C4
2	CC-370	MR	700CD1	14,693			C4
2	FM-570	MR	CD95	17,475			C4
4	TA-76	AO-EK-MR	CD13	12,595			C4
4	TA-77	AO-EK-MR	CD13	13,265			C4
4	XTA-700	AO-EK-MR	700CD1	13,403			C4
4	CC-370	AO-EK-MR	700CD1	14,693			C4
4	FM-570	EK-MR	CD95	17,475			C4
<b>8940</b>	2	TA-46	MR	CD41	10,970		C4
2	TA-48	MR	CD41	12,181			C4
2	TA-76	MR	CD41	12,595			C4
2	TA-77	MR	CD41	13,265			C4
2	XTA-700	MR	700CD1	13,403			C4
2	CC-370	MR	700CD1	14,693			C4
2	FM-570	MR	CD95	17,475			C4
4	TA-76	AO-EK-MR	CD13	12,595			C4
4	TA-77	AO-EK-MR	CD13	13,265			C4
4	XTA-700	AO-EK-MR	700CD1	13,403			C4
4	CC-370	AO-EK-MR	700CD1	14,693			C4
4	FM-570	EK-MR	CD95	17,475			C4
<b>8950</b>	2	TA-46	MR	CD41	10,970		C4
2	TA-48	MR	CD41	12,181			C4
2	TA-76	MR	CD41	12,595			C4
2	TA-77	MR	CD41	13,265			C4
2	XTA-700	MR	700CD1	13,403			C4
2	CC-370	MR	700CD1	14,693			C4
2	FM-570	MR	CD95	17,475			C4
4	TA-76	AO-EK-MR	CD13	12,595			C4
4	TA-77	AO-EK-MR	CD13	13,265			C4
4	XTA-700	AO-EK-MR	700CD1	13,403			C4
4	CC-370	AO-EK-MR	700CD1	14,693			C4
4	FM-570	EK-MR	CD95	17,475			C4
<b>C50</b>	2	TA-160		CD46	5,430		INC
2	TA-170	DH	CD48	6,055			INC
2	TA-175	DH	CD48	6,395			INC
2	TA-180	DH	CD47	6,711			INC
2	WL-21	DH	CD32	6,826			A4
2	WL-27	DH	CD32	7,856			A4
2	TA-25	DH	CD36	5,690			A4
2	TA-26	DH	CD36	6,950			A4
2	TA-26 Plus	DH	CD36	7,390			A4
2	TA-26-12	DH	CD36	8,210			A4
2	CC-330	DH	CD71	8,715			A4
4	TA-25	DH	CD37	5,690			A4
4	TA-26	DH	CD37	6,950			A4
4	TA-26 Plus	DH	CD37	7,390			A4
4	TA-26-12	DH	CD37	8,210			A4
4	CC-330	DH	CD71	8,715			A4

TRACTOR	LOADER SELECTION		MOUNTING BRACKETS		HYD.		
MODEL	WD	FIT LOADER MODEL	FOOTNOTES	BRKT KIT	PACKAGE PRICE	REAR AXLE KIT	VALVE JOYSTICK PKG.
<b>C70</b>	2	WL-42	DH	CD32	9,110		A4
2	CC-330		CD72	8,715			A4
2	CC-340		CD73	9,950			A4
4	CC-340		CD73	9,950			A4
4	FM-540	DH-EE	MC18	10,900			A4
<b>C70 TYPE 2 AND TYPE 3 FRONT CASTING</b>	2	WL-27	AU-DH	CD35	7,741		A4
2	TA-26	AU-DH-NK	CD22	7,134			A4
2	TA-26 Plus	AU-DH-NK	CD22	7,574			A4
2	TA-26-12	AU-DH-NK	CD22	8,394			A4
2	TA-28	AU-DH	CD22	9,019			A4
2	TA-28 Plus	AU-DH	CD22	9,559			A4
2	TA-29	AU-DH	CD22	9,914			A4
2	TA-45	AU-DH	CD22	9,620			A4
4	TA-26	AO-DH-EE-NK	CD22	7,134			A4
4	TA-26 Plus	AO-DH-EE-NK	CD22	7,574			A4
4	TA-26-12	AO-DH-EE-NK	CD22	8,394			A4
4	TA-28	AO-DH-EE	CD22	9,019			A4
4	TA-28 Plus	AO-DH-EE	CD22	9,559			A4
4	TA-29	AO-DH-EE	CD22	9,914			A4
4	TA-45	AO-DH-EE	CD22	9,620			A4
<b>C80</b>	2	WL-42	DH	CD32	9,110		A4
2	CC-330		CD72	8,715			A4
2	CC-340		CD73	9,950			A4
4	CC-340		CD73	9,950			A4
4	FM-540	DH-EE	MC18	10,900			A4
<b>C80 TYPE 2 AND TYPE 3 FRONT CASTING</b>	2	WL-27	AU-DH	CD35	7,741		A4
2	TA-26	AU-DH-NK	CD22	7,134			A4
2	TA-26 Plus	AU-DH-NK	CD22	7,574			A4</

TRACTOR	LOADER SELECTION	MOUNTING BRACKETS	HYD.
MODEL	WD FIT LOADER MODEL FOOTNOTES	BRKT KIT PACKAGE PRICE REAR AXLE KIT VALVE JOYSTICK PKG	
<b>FARMALL 45</b>			
4	TA-160 DH-MS	NH5 5,453	INC
4	TA-170 DW-MS	CD101 6,055	INC
4	TA-170 DH-MS	NH6 6,055	INC
<b>FARMALL 45A</b>			
2	TA-160 DH-MS-OH	CD114 5,637	INC
2	TA-170 DH-MS-OH	CD114 6,055	INC
4	TA-25 AO-EN-NK-OI	NH114 5,989	A4
4	TA-26 AO-EN-NK-OI	NH114 7,249	A4
4	TA-26 Plus AO-EN-NK-OI	NH114 7,689	A4
4	TA-26-12 AO-EN-NK-OI	NH114 8,509	A4
<b>FARMALL 50</b>			
4	TA-160 DH-MS	NH5 5,453	INC
4	TA-170 DW-MS	CD101 6,055	INC
4	TA-170 DH-MS	NH6 6,055	INC
<b>FARMALL 50B</b>			
4	TA-160 DH-NP-OI	MC25 5,430	INC
4	TA-170 DH-OI	MC26 6,055	INC
4	TA-25 DH-OI-NK	MC27 5,690	A4
<b>FARMALL 55</b>			
4	TA-160 MS	CD80 5,545	INC
4	TA-25 NK	CD81 5,805	A4
<b>FARMALL 55A</b>			
2	TA-160 DH-MS-OH	CD114 5,637	INC
2	TA-170 DH-MS-OH	CD114 6,055	INC
4	TA-160 AO-EN-MS-OH	NH113 5,775	INC
4	TA-25 AO-EN-NK-OI	NH114 5,989	A4
4	TA-26 AO-EN-NK-OI	NH114 7,249	A4
4	TA-26 Plus AO-EN-NK-OI	NH114 7,689	A4
4	TA-26-12 AO-EN-NK-OI	NH114 8,509	A4
<b>FARMALL 60</b>			
4	TA-160 MS	CD80 5,545	INC
4	TA-25 NK	CD81 5,805	A4
<b>FARMALL 65A</b>			
4	TA-26 AO-DL-EM-OI	NH117 7,065	A4
4	TA-26 Plus AO-DL-EM-OI	NH117 7,505	A4
4	TA-26-12 AO-DL-EM-OI	NH117 8,325	A4
4	FM-540 EM-OI	NH116 10,900	A4
<b>FARMALL 65C</b>			
4	TA-26 AO-DL-ED-EM-MT-NY-OI-OJ	NH97 6,950	A4
4	TA-26 Plus AO-DL-ED-EM-MT-NY-OI-OJ	NH97 7,390	A4
<b>FARMALL 75A</b>			
4	TA-26 AO-DL-EM-OI	NH117 7,065	A4
4	TA-26 Plus AO-DL-EM-OI	NH117 7,505	A4
4	TA-26-12 AO-DL-EM-OI	NH117 8,325	A4
4	FM-540 EM-OI	NH116 10,900	A4
<b>FARMALL 75C</b>			
4	TA-26 AO-DL-ED-EM-MT-NY-OI-OJ	NH97 6,950	A4
4	TA-26 Plus AO-DL-ED-EM-MT-NY-OI-OJ	NH97 7,390	A4
<b>FARMALL 80</b>			
4	TA-26 AO-DL-EE-MS-MT-MZ-NY-OI	CD108 7,134	A4
4	TA-26 Plus AO-DL-EE-MS-MT-MZ-NY-OI	CD108 7,574	A4
4	TA-26-12 AO-DL-EE-MS-MT-MZ-NY-OI	CD108 8,394	A4
4	CC-340 EE-MS-MT-NY-OI	CD109 9,950	A4
<b>FARMALL 85U</b>			
4	MAX 420 CX-EG-NY-OI	NH121 8,900	A4
4	MAX 420 CX-EG-NK-OI	NH122 8,900	A4
4	TA-26 AO-CX-EL-MT-NK-NX	CD100 7,134	A4
4	TA-26 AO-CX-EG-MT-NK-NX	NH63 6,950	A4
4	TA-26 Plus AO-CX-EL-MT-NK-NX	CD100 7,574	A4
4	TA-26 Plus AO-CX-EG-MT-NK-NX	NH63 7,390	A4
4	TA-26-12 AO-CX-EL-MT-NK-NX	CD100 8,394	A4
4	TA-26-12 AO-CX-EG-MT-NK-NX	NH63 8,210	A4
4	CC-340 AO-CX-EL-MT-NK-NX	CD98 9,950	A4
4	CC-340 AO-CX-EG-MT-NK-NX	NH94 9,950	A4
4	FM-540 AO-CX-EG-MT-NK-NX	NH77 10,900	A4
4	FM-540 AO-CX-EG-MT-NK-NX	NH78 10,900	A4

TRACTOR	LOADER SELECTION	MOUNTING BRACKETS	HYD.
MODEL	WD FIT LOADER MODEL FOOTNOTES	BRKT KIT PACKAGE PRICE REAR AXLE KIT VALVE JOYSTICK PKG	
<b>FARMALL 95</b>			
2	TA-25 DL-MS-NX-OI	CD105 5,782	A4
2	TA-25 DL-MS-NY-OI	CD106 5,690	A4
2	TA-26 DL-MS-NX-OI	CD105 7,042	A4
2	TA-26 DL-MS-NY-OI	CD106 6,950	A4
2	TA-26 Plus DL-MS-NX-OI	CD105 7,482	A4
2	TA-26 Plus DL-MS-NY-OI	CD106 7,390	A4
2	TA-26-12 DL-MS-NX-OI	CD105 8,302	A4
2	TA-26-12 DL-MS-NY-OI	CD106 8,210	A4
4	MAX 420 DL-EL-NX-OI	CD113 8,900	A4
4	MAX 420 DL-EL-NY-OI	CD121 8,900	A4
4	TA-26 AO-CX-EL-MS-NX-OI	CD96 7,203	A4
4	TA-26 C1-C2-EL-MS-NY-DL-OI	NH101 7,111	A4
4	TA-26 Plus AO-CX-EL-MS-NX-OI	CD96 7,643	A4
4	TA-26 Plus C1-C2-EL-MS-NY-DL-OI	NH101 7,551	A4
4	TA-26-12 AO-CX-EL-MS-NX-OI	CD96 8,463	A4
4	TA-26-12 C1-C2-EL-MS-NY-DL-OI	NH101 8,371	A4
4	CC-340 AO-CX-EL-MS-NX-OI	CD99 9,950	A4
4	CC-340 C1-C2-EL-MS-NY-DL-OI	NH102 9,950	A4
4	FM-540 AO-C1-C2-EL-MS-NX-OI	CD97 10,900	A4
4	FM-540 AO-C1-C2-EL-MS-NY-DL-OI	NH104 10,900	A4
<b>FARMALL 95U</b>			
4	MAX 420 CX-EG-NY-OI	NH121 8,900	A4
4	MAX 420 CX-EG-NK-OI	NH122 8,900	A4
4	TA-26 AO-CX-EL-MT-NK-NX	CD100 7,134	A4
4	TA-26 AO-CX-EG-MT-NK-NX	NH63 6,950	A4
4	TA-26 Plus AO-CX-EL-MT-NK-NX	CD100 7,574	A4
4	TA-26 Plus AO-CX-EG-MT-NK-NX	NH63 7,390	A4
4	TA-26-12 AO-CX-EL-MT-NK-NX	CD100 8,394	A4
4	TA-26-12 AO-CX-EG-MT-NK-NX	NH63 8,210	A4
4	CC-340 AO-CX-EG-MT-NK-NX	CD98 9,950	A4
4	CC-340 AO-CX-EG-MT-NY	NH94 9,950	A4
4	FM-540 AO-CX-EG-MT-NY	NH77 10,900	A4
4	FM-540 AO-CX-EG-MT-NX	NH78 10,900	A4
<b>FARMALL 105U</b>			
4	MAX 420 CX-EG-NY-OI	NH121 8,900	A4
4	MAX 420 CX-EG-NK-OI	NH122 8,900	A4
4	MAX 440 CY-EG-OB-OI	NH142 9,900	A4
4	TA-26 AO-CX-EL-MT-NK-NX	CD100 7,134	A4
4	TA-26 AO-CX-EG-MT-NK-NX	NH63 6,950	A4
4	TA-26 Plus AO-CX-EL-MT-NK-NX	CD100 7,574	A4
4	TA-26 Plus AO-CX-EG-MT-NK-NX	NH63 7,390	A4
4	TA-26-12 AO-CX-EL-MT-NK-NX	CD100 8,394	A4
4	TA-26-12 AO-CX-EG-MT-NK-NX	NH63 8,210	A4
4	CC-340 AO-CX-EG-MT-NK-NX	CD98 9,950	A4
4	CC-340 AO-CX-EG-MT-NY	NH94 9,950	A4
4	FM-540 AO-CX-EG-MT-NY	NH77 10,900	A4
4	FM-540 AO-CX-EG-MT-NX	NH78 10,900	A4
<b>FARMALL 110A</b>			
2	MAX 420 MR-OI-OB	CD129 8,900	A4
2	FM-540 MR-OI-OB	NH140 10,900	A4
4	MAX 420 EG-MR-OI-OB	CD129 8,900	A4
4	TA-28 EH-MR-MT-OIOS	NH141 9,203	A4
4	TA-28 Plus EH-MR-MT-OIOS	NH141 9,743	A4
4	TA-29 EH-MR-MT-OIOS	NH141 10,098	A4
<b>FARMALL 115U</b>			
4	MAX 440 CY-EG-OB-OI	NH142 9,900	A4
<b>FARMALL 120A</b>			
2	MAX 420 MR-OI-OB	CD129 8,900	A4
2	FM-540 MR-OI-OB	NH140 10,900	A4
4	MAX 420 EG-MR-OI-OB	CD129 8,900	A4
4	TA-28 EH-MR-MT-OIOS	NH141 9,203	A4
4	TA-28 Plus EH-MR-MT-OIOS	NH141 9,743	A4
4	TA-29 EH-MR-MT-OIOS	NH141 10,098	A4
<b>FARMALL 125A</b>			
2	MAX 420 MR-OI-OB	CD129 8,900	A4
2	FM-540 MR-OI-OB	NH140 10,900	A4
4	MAX 420 EG-MR-OI-OB	CD129 8,900	A4
<b>FARMALL 140A</b>			
2	MAX 420 MR-OI-OB	CD129 8,900	A4
2	FM-540 MR-OI-OB	NH140 10,900	A4
4	MAX 420 EG-MR-OI-OB	CD129 8,900	A4

TRACTOR	LOADER SELECTION	MOUNTING BRACKETS	HYD.
MODEL	WD FIT LOADER MODEL FOOTNOTES	BRKT KIT PACKAGE PRICE REAR AXLE KIT VALVE JOYSTICK PKG	
<b>H</b>			
2	WL-21	IHS 6,711	A4
2	WL-27	IHS 7,741	A4
2	TA-26	IHS 6,996	A4
2	TA-26 Plus	IHS 7,436	A4
2	TA-26-12	IHS 8,256	A4
2	TA-28	IHS 8,950	A4
2	TA-28 Plus	IHS 9,490	A4
2	TA-29	IHS 9,845	A4
<b>JX55</b>			
2	TA-26 DL-MP-NX	CD52 7,065	A4
2	TA-26 Plus DL-MP-NX	CD52 7,505	A4
2	TA-26-12 DL-MP-NX	CD52 8,325	A4
2	CC-330 MS-NX-OI	CD63 8,715	A4
4	TA-25 AO-DL-EN-NX	CD52 5,805	A4
4	TA-26 AO-DL-EN-NX	CD52 7,065	A4
4	TA-26 Plus AO-DL-EN-NX	CD52 7,505	A4
4	TA-26-12 AO-DL-EN-NX	CD52 8,325	A4
4	CC-330 EM-MS-NX-OI	CD63 8,715	A4
<b>JX60</b>			
2	TA-26 DL-MP-NX	CD52 7,065	A4
2	TA-26 Plus DL-MP-NX	CD52 7,505	A4
2	TA-26-12 DL-MP-NX	CD52 8,325	A4
2	CC-330 MS-NX-OI	CD63 8,715	A4
4	TA-25 AO-DL-EN-NX	CD52 5,805	A4
4	TA-26 AO-DL-EN-NX	CD52 7,065	A4
4	TA-26 Plus AO-DL-EN-NX	CD52 7,505	A4
4	TA-26-12 AO-DL-EN-NX	CD52 8,325	A4
4	CC-330 EM-MS-NX-OI	CD63 8,715	A4
<b>JX65</b>			
2	TA-26 DL-MP-NX	CD52 7,065	A4
2	TA-26 Plus DL-MP-NX	CD52 7,505	A4
2	TA-26-12 DL-MP-NX	CD52 8,325	A4
2	CC-330 MS-NX-OI	CD63 8,715	A4
4	TA-25 AO-DL-EN-NX	CD52 5,805	A4
4	TA-26 AO-DL-EN-NX	CD52 7,065	A4
4	TA-26 Plus AO-DL-EN-NX	CD52 7,505	A4
4	TA-26-12 AO-DL-EN-NX	CD52 8,325	A4
4	CC-330 EM-MS-NX-OI	CD63 8,715	A4
<b>JX70</b>			
2	TA-26 DL-MP-NX	CD52 7,065	A4
2	TA-26 Plus DL-MP-NX	CD52 7,505	A4
2	TA-26-12 DL-MP-NX	CD52 8,325	A4
2	CC-330 MS-NX-OI	CD63 8,715	A4
4	TA-25 AO-DL-EN-NX	CD52 5,805	A4
4	TA-26 AO-DL-EN-NX	CD52 7,065	A4
4	TA-26 Plus AO-DL-EN-NX	CD52 7,505	A4
4	TA-26-12 AO-DL-EN-NX	CD52 8,325	A4
4	CC-330 EM-MS-NX-OI	CD63 8,715	A4
<b>JX75</b>			
2	MAX 420 DL-GS-NX-OI	CD122 8,900	A4
2	TA-25 DL-GS-MS-NX-OI	CD61 5,759	A4
2	TA-26 DL-GS-MS-NX-OI	CD61 7,019	A4
2	TA-26 Plus DL-GS-MS-NX-OI	CD61 7,459	A4
2	TA-26-12 DL-GS-MS-NX-OI	CD61 8,279	A4
2	CC-330 MS-NX-OI	CD67 8,715	A4
2	FM-540 NX	CD87 10,900	A4
4	TA-26 AO-DL-EE-GS-MS-NX-OI	CD53 7,088	A4
4	TA-26 Plus AO-DL-EE-GS-MS-NX-OI	CD53 7,528	A4
4	TA-26-12 AO-DL-EE-GS-MS-NX-OI	CD53 8,348	A4
4	CC-330 EL-MS-NX-OI	CD67 8,715	A4
4	CC-340 EL-MS-NX-OI	CD68 9,950	A4
4	FM-540 EL-NX	CD87 10,900	A4
<b>JX80</b>			
2	MAX 420 DL-GS-NX-OI	CD122 8,900	A4
2	TA-25 DL-GS-MS-NX-OI	CD61 5,759	A4
2	TA-26 DL-GS-MS-NX-OI	CD61 7,019	A4
2	TA-26 Plus DL-GS-MS-NX-OI	CD61 7,459	A4
2	TA-26-12 DL-GS-MS-NX-OI	CD61 8,279	A4
2	CC-330 MS-NX-OI	CD67 8,715	A4
2	CC-340 MS-NX-OI	CD68 9,950	A4
2	FM-540 NX	CD87 10,900	A4
4	TA-26 AO-DL-EE-GS-MS-NX-OI	CD53 7,088	A4
4	TA-26 Plus AO-DL-EE-GS-MS-NX-OI	CD53 7,528	A4
4	TA-26-12 AO-DL-EE-GS-MS-NX-OI	CD53 8,348	A4
4	CC-330 EL-MS-NX-OI	CD67 8,715	A4
4	CC-340 EL-MS-NX-OI	CD68 9,950	A4
4	FM-540 EL-NX	CD87 10,900	A4

TRACTOR	LOADER SELECTION	MOUNTING BRACKETS	HYD.
MODEL	WD FIT LOADER MODEL FOOTNOTES	BRKT KIT PACKAGE PRICE REAR AXLE KIT VALVE JOYSTICK PKG	
<b>JX80U</b>			
2	TA-26	CD50 7,111	A4
2	TA-26 Plus	CD50 7,551	A4
2	TA-26-12	CD50 8,371	A4
2	TA-28 Plus AO-DH	CD51 9,651	A4
2	TA-29 AO-DH	CD51 10,006	A4
2	CC-330	CD77 8,715	A4
2	CC-340	CD55 9,950	A4
4	TA-26 AO-EE	CD50 7,111	A4
4	TA-26 Plus AO-EE	CD50 7,551	A4
4	TA-26-12 AO-EE	CD50 8,371	A4
4	TA-28 Plus AO-DH-EG	CD51 9,651	A4
4	TA-29 AO-DH-EG	CD51 10,006	A4
4	CC-340 EG-MT	CD55 9,950	A4



TRACTOR	LOADER SELECTION	FOOTNOTES	BRKT KIT	PACKAGE PRICE	REAR AXLE KIT	VALVE JOYSTICK Pkg
<b>MAXXUM 115</b>						
2	TA-26	CX-EY-NK-NY	NH99	7,065	A4/C4	
2	TA-26 Plus	CX-EY-NY	NH99	7,505	A4/C4	
2	TA-26-12	CX-EY-NY	NH99	8,325	A4/C4	
2	TA-28	CX-EY-NY	NH39	9,111	A4/C4	
2	TA-28	CX-EY-NX	NH40	9,065	A4/C4	
2	TA-28 Plus	CX-EY-NY	NH39	9,651	A4/C4	
2	TA-28 Plus	CX-EY-NX	NH40	9,605	A4/C4	
2	TA-29	CX-EY-NY	NH39	10,006	A4/C4	
2	TA-29	CX-EY-NX	NH40	9,960	A4/C4	
4	MAX 440	CX-EH-EY-NY-OI	NH124	9,900	A4/C4	
4	MAX 440	CY-EH-EY-NR-OB-OI	NH127	9,900	A4/C4	
4	MAX 440	CX-EH-EY-NX-OI	NH123	9,900	A4/C4	
4	TA-28	AD-CX-EY-MT-NX	NH20	8,996	A4/C4	
4	TA-28 Plus	AD-CX-EY-MT-NX	NH20	9,605	A4/C4	
4	TA-28 Plus	AD-CX-EY-MT-NY	NH25	9,582	A4/C4	
4	TA-29	AD-CX-EY-MT-NY	NH25	9,937	A4/C4	
4	TA-46A	AD-CX-EY-MT-NX	NH20	11,039	A4/C4	
4	TA-48	AD-CX-EY-MT-NX	NH20	12,204	A4/C4	
4	XTA-400	CX-EK-EY-NX	NH21	11,958	A4/C4	
4	XTA-400	CX-EK-EY-NY	NH28	11,889	A4/C4	
4	XTA-400	CY-EK-EY-NR-OB-OI	NH128	11,820	A4/C4	
4	CC-340	CX-EH-EY-NX	NH19	9,950	A4/C4	
4	CC-340	AD-CX-EY-MT-NY	NH26	9,950	A4/C4	
4	CC-360	CX-EK-EY-NY	NH27	11,995	A4/C4	
4	CC-360	CX-EH-EY-NX	NH38	11,995	A4/C4	
4	CC-360	CY-EK-EY-NR-OB-OI	NH129	11,995	A4/C4	
4	FM-540	CX-EH-EY-NY	NH73	10,900	A4/C4	
4	FM-540	CX-EH-EY-NX	NH74	10,900	A4/C4	
4	FM-550	CX-EH-EY-NX	NH87	14,470	A4/C4	
4	FM-550	CX-EK-EY-NY	NH44	14,470	A4/C4	
4	FM-550	CY-EK-EY-NR-OB-OI	NH126	14,470	A4/C4	
<b>MAXXUM 120</b>						
4	MAX 440	CX-EH-EY-NY-OI	NH134	9,900	A4/C4	
4	MAX 440	CY-EH-EY-NR-OB-OI	NH135	9,900	A4/C4	
4	MAX 440	CX-EH-EY-NX-OI	NH131	9,900	A4/C4	
4	TA-26	AD-CX-EY-MT-NY	NH17	7,157	A4/C4	
4	TA-26	AD-CX-EY-MT-NX	NH22	7,180	A4/C4	
4	TA-26 Plus	AD-CX-EY-MT-NY	NH17	7,597	A4/C4	
4	TA-26 Plus	AD-CX-EY-MT-NX	NH22	7,620	A4/C4	
4	TA-26-12	AD-CX-EY-MT-NY	NH17	8,417	A4/C4	
4	TA-26-12	AD-CX-EY-MT-NX	NH22	8,440	A4/C4	
4	TA-28 Plus	AD-CX-EY-MT-NY	NH17	9,536	A4/C4	
4	TA-28 Plus	AD-CX-EY-MT-NX	NH22	9,559	A4/C4	
4	TA-29	AD-CX-EY-MT-NY	NH17	9,891	A4/C4	
4	TA-29	AD-CX-EY-MT-NX	NH22	9,914	A4/C4	
4	CC-340	CX-EH-EY-NX	NH19	9,950	A4/C4	
4	CC-340	AD-CX-EY-MT-NY	NH26	9,950	A4/C4	
4	CC-360	CX-EK-EY-NY	NH27	11,995	A4/C4	
4	CC-360	CX-EH-EY-NX	NH38	11,995	A4/C4	
4	CC-360	CY-EK-EY-NR-OB-OI	NH129	11,995	A4/C4	
4	FM-540	CX-EH-EY-NY	NH73	10,900	A4/C4	
4	FM-540	CX-EH-EY-NX	NH74	10,900	A4/C4	
4	FM-550	CX-EH-EY-NX	NH87	14,470	A4/C4	
4	FM-550	CX-EK-EY-NY	NH44	14,470	A4/C4	
4	FM-550	CY-EK-EY-NR-OB-OI	NH126	14,470	A4/C4	
<b>MAXXUM 125</b>						
2	TA-26	CX-EY-NK-NY	NH99	7,065	A4/C4	
2	TA-26 Plus	CX-EY-NY	NH99	7,505	A4/C4	
2	TA-26-12	CX-EY-NY	NH99	8,325	A4/C4	
2	TA-28	CX-EY-NY	NH39	9,111	A4/C4	
2	TA-28	CX-EY-NX	NH40	9,065	A4/C4	
2	TA-28 Plus	CX-EY-NY	NH39	9,651	A4/C4	
2	TA-28 Plus	CX-EY-NX	NH40	9,605	A4/C4	
2	TA-29	CX-EY-NY	NH39	10,006	A4/C4	
2	TA-29	CX-EY-NX	NH40	9,960	A4/C4	
4	MAX 440	CX-EH-EY-NY-OI	NH124	9,900	A4/C4	
4	MAX 440	CY-EH-EY-NR-OB-OI	NH127	9,900	A4/C4	
4	MAX 440	CX-EH-EY-NX-OI	NH123	9,900	A4/C4	
4	TA-28	AD-CX-EY-MT-NX	NH20	8,996	A4/C4	
4	TA-28 Plus	AD-CX-EY-MT-NX	NH20	9,605	A4/C4	
4	TA-28 Plus	AD-CX-EY-MT-NY	NH25	9,582	A4/C4	
4	TA-29	AD-CX-EY-MT-NY	NH25	9,937	A4/C4	
4	TA-46A	AD-CX-EY-MT-NX	NH20	11,039	A4/C4	
4	TA-48	AD-CX-EY-MT-NX	NH20	12,204	A4/C4	
4	XTA-400	CX-EK-EY-NX	NH21	11,958	A4/C4	
4	XTA-400	CX-EK-EY-NY	NH28	11,889	A4/C4	
4	XTA-400	CY-EK-EY-NR-OB-OI	NH128	11,820	A4/C4	
4	CC-340	CX-EH-EY-NX	NH19	9,950	A4/C4	
4	CC-340	AD-CX-EY-MT-NY	NH26	9,950	A4/C4	
4	CC-360	CX-EK-EY-NY	NH27	11,995	A4/C4	
4	CC-360	CX-EH-EY-NX	NH38	11,995	A4/C4	
4	CC-360	CY-EK-EY-NR-OB-OI	NH129	11,995	A4/C4	
4	FM-540	CX-EH-EY-NY	NH73	10,900	A4/C4	
4	FM-540	CX-EH-EY-NX	NH74	10,900	A4/C4	
4	FM-550	CX-EH-EY-NX	NH87	14,470	A4/C4	
4	FM-550	CX-EK-EY-NY	NH44	14,470	A4/C4	
4	FM-550	CY-EK-EY-NR-OB-OI	NH126	14,470	A4/C4	

▲ Stock Mounting Kit • ☑ Best Fit(s) • See Appendix for Footnotes and Frame Identification on pages 159-167

**P90 • TOLL FREE 866-423-2762 • PH (712) 423-2762 • FAX (712) 423-1460 • WWW.LOADERS.COM**

If you cannot find the tractor that you wish to mount, please call. We fit new tractors daily. All prices and price classes are subject to change without notice.

TRACTOR	LOADER SELECTION	FOOTNOTES	BRKT KIT	PACKAGE PRICE	REAR AXLE KIT	VALVE JOYSTICK Pkg
<b>MAXXUM 130</b>						
4	MAX 440	CX-EH-EY-NY-OI	NH134	9,900	A4/C4	
4	MAX 440	CY-EH-EY-NR-OB-OI	NH135	9,900	A4/C4	
4	MAX 440	CX-EH-EY-NX-OI	NH131	9,900	A4/C4	
4	TA-26	AD-CX-EY-MT-NY	NH17	7,157	A4/C4	
4	TA-26	AD-CX-EY-MT-NX	NH22	7,180	A4/C4	
4	TA-26 Plus	AD-CX-EY-MT-NY	NH17	7,597	A4/C4	
4	TA-26 Plus	AD-CX-EY-MT-NX	NH22	7,620	A4/C4	
4	TA-26-12	AD-CX-EY-MT-NY	NH17	8,417	A4/C4	
4	TA-26-12	AD-CX-EY-MT-NX	NH22	8,440	A4/C4	
4	TA-28 Plus	AD-CX-EY-MT-NY	NH17	9,536	A4/C4	
4	TA-28 Plus	AD-CX-EY-MT-NX	NH22	9,559	A4/C4	
4	TA-29	AD-CX-EY-MT-NY	NH17	9,891	A4/C4	
4	TA-29	AD-CX-EY-MT-NX	NH22	9,914	A4/C4	
4	CC-340	CX-EH-EY-NX	NH18	9,950	A4/C4	
4	CC-340	AD-CX-EY-MT-NY	NH26	9,950	A4/C4	
4	FM-540	CX-EH-EY-NY	NH75	10,900	A4/C4	
4	FM-540	CX-EH-EY-NX	NH76	10,900	A4/C4	
4	FM-540	CY-EK-EY-NR-OB-OI	NH130	10,900	A4/C4	
<b>MAXXUM 140</b>						
4	MAX 440	CX-EH-EY-NY-OI	NH124	9,900	A4/C4	
4	MAX 440	CY-EH-EY-NR-OB-OI	NH127	9,900	A4/C4	
4	MAX 440	CX-EH-EY-NX-OI	NH123	9,900	A4/C4	
4	TA-28	AD-CX-EY-MT-NX	NH20	8,996	A4/C4	
4	TA-28 Plus	AD-CX-EY-MT-NX	NH20	9,605	A4/C4	
4	TA-28 Plus	AD-CX-EY-MT-NY	NH25	9,582	A4/C4	
4	TA-29	AD-CX-EY-MT-NY	NH25	9,960	A4/C4	
4	TA-29	AD-CX-EY-MT-NX	NH25	9,937	A4/C4	
4	TA-46A	AD-CX-EY-MT-NX	NH20	11,039	A4/C4	
4	TA-48	AD-CX-EY-MT-NX	NH20	12,204	A4/C4	
4	XTA-400	CX-EK-EY-NX	NH21	11,958	A4/C4	
4	XTA-400	CX-EK-EY-NY	NH28	11,889	A4/C4	
4	XTA-400	CY-EK-EY-NR-OB-OI	NH128	11,820	A4/C4	
4	CC-340	CX-EH-EY-NX	NH19	9,950	A4/C4	
4	CC-340	AD-CX-EY-MT-NY	NH26	9,950	A4/C4	
4	CC-360	CX-EK-EY-NY	NH27	11,995	A4/C4	
4	CC-360	CX-EH-EY-NX	NH38	11,995	A4/C4	
4	CC-360	CY-EK-EY-NR-OB-OI	NH129	11,995	A4/C4	
4	FM-540	CX-EH-EY-NY	NH73	10,900	A4/C4	
4	FM-540	CX-EH-EY-NX	NH74	10,900	A4/C4	
4	FM-550	CX-EH-EY-NX	NH87	14,470	A4/C4	
4	FM-550	CX-EK-EY-NY	NH44	14,470	A4/C4	
4	FM-550	CY-EK-EY-NR-OB-OI	NH126	14,470	A4/C4	
<b>MTA</b>						
2	WL-21	IH4	6,711	A4		
2	WL-27	IH4	7,741	A4		
2	WL-42	IH4	8,995	A4		
2	TA-25	IH4	5,759	A4		
2	TA-26	IH4	7,019	A4		
2	TA-26 Plus	IH4	7,459	A4		
2	TA-26-12	IH4	8,279	A4		
2	TA-28	IH4	8,950	A4		
2	TA-28 Plus	IH4	9,490	A4		
2	TA-29	IH4	9,845	A4		
2	TA-45	IH4	8,620	A4		
2	TA-46	IH4	10,970	A4		
<b>MX80C</b>						
4	TA-26	AD-EG-MR-MV	CD42	7,180	C4	
4	TA-26 Plus	AD-EG-MR-MV	CD42	7,620	C4	
4	TA-26-12	AD-EG-MR-MV	CD42	8,440	C4	
4	TA-28	AD-EH-MR-MV	CD42	9,065	C4	
4	TA-28 Plus	AD-EH-MR-MV	CD42	9,605	C4	
4	TA-29	AD-EH-MR-MV	CD42	9,900	C4	
4	CC-340	EHR	CD54	9,950	C4	
4	FM-540	EHR	MC17	10,900	C4	
<b>MX90C</b>						
4	TA-26	AD-EG-MR-MV	CD42	7,180	C4	
4	TA-26 Plus	AD-EG-MR-MV	CD42	7,620	C4	
4	TA-26-12	AD-EG-MR-MV	CD42	8,440	C4	
4	TA-28	AD-EH-MR-MV	CD42	9,065	C4	
4	TA-28 Plus	AD-EH-MR-MV	CD42	9,605	C4	
4	TA-29	AD-EH-MR-MV	CD42	9,900	C4	
4	CC-340	EHR	CD54	9,950	C4	
4	FM-540	EHR	MC17	10,900	C4	

TRACTOR	LOADER SELECTION	FOOTNOTES	BRKT KIT	PACKAGE PRICE	REAR AXLE KIT	VALVE JOYSTICK Pkg
<b>MX100</b>						
2	MAX 440	EH-MR-OI	MC28	9,900	C4	
2	WL-42	MR	CD29	9,156	C4	
2	TA-26	MR	CD30	6,950	C4	
2	TA-26 Plus	MR	CD30	7,390	C4	
2	TA-26-12	MR	CD30	8,210	C4	
2	TA-28					

TRACTOR	LOADER SELECTION	MOUNTING BRACKETS	HYD.					
MODEL	WD	FT	LOADER MODEL	FOOTNOTES	BRKT KIT	PACKAGE PRICE	REAR AXLE KIT	VALVE JOYSTICK Pkg
<b>MXM175</b>								
2	WL-42	BK-MR-NX	NH2	9,179				C4
2	TA-46	MR-NX	NH2	10,993				C4
2	TA-48	MR-NX	NH2	12,227				C4
4	TA-46A	EK-MR-MT-NV-NX	FO35	11,223				C4
4	TA-46A	EK-MR-MT-NV-NX	NH16	11,177				C4
4	TA-46A	EK-MR-MT-NV-NY	NH79	11,246				C4
4	TA-46A	EK-MR-MT-NV-NY	NH80	11,246				C4
4	TA-48	EK-MR-MT-NV-NX	FO35	12,388				C4
4	TA-48	EK-MR-MT-NV-NX	NH16	12,342				C4
4	TA-48	EK-MR-MT-NV-NY	NH79	12,411				C4
4	TA-48	EK-MR-MT-NV-NY	NH80	12,411				C4
4	XTA-400	EK-MR-NX	NH81	12,257				C4
4	XTA-400	EK-MR-NY	400F02	11,820				C4
4	CC-360	EK-MR-NX	NH41	11,995				C4
4	CC-360	EK-MR-NY	NH82	11,995				C4
4	FM-550	EK-MR-NX	NH83	14,470				C4
4	FM-550	EK-MR-NY	NH29	14,470				C4
<b>MXM190</b>								
2	WL-42	BK-MR-NX	NH2	9,179				C4
2	TA-46	MR-NX	NH2	10,993				C4
2	TA-48	MR-NX	NH2	12,227				C4
4	TA-46A	EK-MR-MT-NV-NX	FO35	11,223				C4
4	TA-46A	EK-MR-MT-NV-NY	NH16	11,177				C4
4	TA-46A	EK-MR-MT-NV-NY	NH79	11,246				C4
4	TA-48	EK-MR-MT-NV-NX	FO35	12,388				C4
4	TA-48	EK-MR-MT-NV-NX	NH16	12,342				C4
4	XTA-400	EK-MR-NX	400F02	11,820				C4
4	CC-360	EK-MR-NX	NH41	11,995				C4
4	FM-550	EK-MR-NX	NH29	14,470				C4
<b>MXM195</b>								
4	TA-46A	EK-MR-MT-NV-NY	NH79	11,246				C4
4	TA-46A	EK-MR-MT-NV-NY	NH80	11,246				C4
4	TA-48	EK-MR-MT-NV-NY	NH79	12,411				C4
4	TA-48	EK-MR-MT-NV-NY	NH80	12,411				C4
4	XTA-400	EK-MR-NX	NH81	12,257				C4
4	CC-360	EK-MR-NY	NH82	11,995				C4
4	FM-550	EK-MR-NY	NH83	14,470				C4
<b>MXU100</b>								
2	MAX 440	CX-EY-NY-OI	NH134	9,900				A4/C4
2	MAX 440	CX-EY-NX-OI	NH135	9,900				A4/C4
2	TA-26	EY-NX	NH56	7,019				A4/C4
2	TA-26	EY-NY	NH57	7,042				A4/C4
2	TA-26 Plus	EY-NX	NH56	7,459				A4/C4
2	TA-26 Plus	EY-NY	NH57	7,482				A4/C4
2	TA-26-12	EY-NX	NH56	8,279				A4/C4
2	TA-26-12	EY-NY	NH57	8,302				A4/C4
2	TA-28	EY-NX	NH67	9,065				A4/C4
2	TA-28	EY-NY	NH68	9,065				A4/C4
2	TA-28 Plus	EY-NX	NH67	9,605				A4/C4
2	TA-28 Plus	EY-NY	NH68	9,605				A4/C4
2	TA-29	EY-NX	NH67	9,960				A4/C4
2	TA-29	EY-NY	NH68	9,960				A4/C4
4	MAX 440	CX-EY-NY-OI	NH134	9,900				A4/C4
4	MAX 440	CX-EY-NX-OI	NH135	9,900				A4/C4
4	TA-26	AD-EG-EY-MT-NR-NX	NH17	7,157				A4/C4
4	TA-26	AD-EG-EY-MT-NR-NY	NH22	7,180				A4/C4
4	TA-26 Plus	AD-EG-EY-MT-NR-NX	NH17	7,597				A4/C4
4	TA-26 Plus	AD-EG-EY-MT-NR-NY	NH22	7,620				A4/C4
4	TA-26-12	AD-EG-EY-MT-NR-NX	NH17	8,417				A4/C4
4	TA-26-12	AD-EG-EY-MT-NR-NY	NH22	8,440				A4/C4
4	TA-28 Plus	AD-EG-EY-MT-NR-NX	NH17	9,536				A4/C4
4	TA-28 Plus	AD-EG-EY-MT-NR-NY	NH22	9,559				A4/C4
4	TA-29	AD-EG-EY-MT-NR-NX	NH17	9,891				A4/C4
4	TA-29	AD-EG-EY-MT-NR-NY	NH22	9,914				A4/C4
4	CC-340	EH-EY-NR-NY	NH18	9,950				A4/C4
4	CC-340	EH-MR-NX	NH23	9,950				A4/C4
4	FM-540	EH-EY-NX	NH75	10,900				A4/C4
4	FM-540	EH-EY-NY	NH76	10,900				A4/C4

TRACTOR	LOADER SELECTION	MOUNTING BRACKETS	HYD.					
MODEL	WD	FT	LOADER MODEL	FOOTNOTES	BRKT KIT	PACKAGE PRICE	REAR AXLE KIT	VALVE JOYSTICK Pkg
<b>MXU110</b>								
2	MAX 440	CX-EY-NY-OI	NH134	9,900				A4/C4
2	MAX 440	CX-EY-NX-OI	NH135	9,900				A4/C4
2	TA-26	EY-NX	NH56	7,019				A4/C4
2	TA-26	EY-NY	NH57	7,042				A4/C4
2	TA-26 Plus	EY-NX	NH56	7,459				A4/C4
2	TA-26 Plus	EY-NY	NH57	7,482				A4/C4
2	TA-26-12	EY-NX	NH56	8,279				A4/C4
2	TA-26-12	EY-NY	NH57	8,302				A4/C4
2	TA-28	EY-NX	NH67	9,065				A4/C4
2	TA-28	EY-NY	NH68	9,065				A4/C4
2	TA-28 Plus	EY-NX	NH67	9,605				A4/C4
2	TA-28 Plus	EY-NY	NH68	9,605				A4/C4
2	TA-29	EY-NX	NH67	9,960				A4/C4
2	TA-29	EY-NY	NH68	9,960				A4/C4
4	MAX 440	CX-EY-NY-OI	NH134	9,900				A4/C4
4	MAX 440	CX-EY-NX-OI	NH135	9,900				A4/C4
4	TA-26	AD-EG-EY-MT-NR-NX	NH17	7,157				A4/C4
4	TA-26	AD-EG-EY-MT-NR-NY	NH22	7,180				A4/C4
4	TA-26 Plus	AD-EG-EY-MT-NR-NX	NH17	7,597				A4/C4
4	TA-26 Plus	AD-EG-EY-MT-NR-NY	NH22	7,620				A4/C4
4	TA-26-12	AD-EG-EY-MT-NR-NX	NH17	8,417				A4/C4
4	TA-26-12	AD-EG-EY-MT-NR-NY	NH22	8,440				A4/C4
4	TA-28 Plus	AD-EG-EY-MT-NR-NX	NH17	9,536				A4/C4
4	TA-28 Plus	AD-EG-EY-MT-NR-NY	NH22	9,559				A4/C4
4	TA-29	AD-EG-EY-MT-NR-NX	NH17	9,891				A4/C4
4	TA-29	AD-EG-EY-MT-NR-NY	NH22	9,914				A4/C4
4	CC-340	EH-EY-NR-NY	NH18	9,950				A4/C4
4	CC-340	EH-MR-NX	NH23	9,950				A4/C4
4	FM-540	EH-EY-NX	NH75	10,900				A4/C4
4	FM-540	EH-EY-NY	NH76	10,900				A4/C4
<b>MXU115</b>								
4	MAX 440	EH-EY-NY-OI	NH124	9,900				C4
4	MAX 440	EH-EY-NX-OI	NH123	9,900				A4/C4
4	TA-28	AD-EG-EY-MT-NR-NX	NH20	8,996				C4
4	TA-28 Plus	AD-EG-EY-MT-NR-NX	NH25	9,582				C4
4	TA-28 Plus	AD-EG-EY-MT-NR-NY	NH20	9,605				C4
4	TA-29	AD-EG-EY-MT-NR-NX	NH20	9,937				C4
4	TA-46A	AD-EH-EY-MT-NR-NX	NH20	11,039				C4
4	XTA-400	EH-EY-NR-NX	NH21	11,958				C4
4	XTA-400	EK-EY-NR-NY	NH28	11,889				C4
4	CC-340	EH-EY-NR-NY	NH19	9,950				C4
4	CC-340	EH-EY-NX	NH26	9,950				C4
4	FM-540	EH-EY-NX	NH73	10,900				C4
4	FM-540	EH-EY-NY	NH74	10,900				C4
4	FM-550	EH-EY-NX	NH87	14,470				C4
4	FM-550	EH-EY-NY	NH44	14,470				C4
<b>MXU125</b>								
2	TA-26	EY-NK-NY	NH99	7,065				C4
2	TA-26 Plus	EY-NY	NH99	7,505				C4
2	TA-26-12	EY-NY	NH99	8,325				C4
2	TA-28	EY-NY	NH39	9,111				C4
2	TA-28	EY-NX	NH40	9,065				C4
2	TA-28 Plus	EY-NY	NH39	9,651				C4
2	TA-28 Plus	EY-NX	NH40	9,605				C4
2	TA-29	EY-NY	NH39	10,006				C4
2	TA-29	EY-NX	NH40	9,960				C4
4	MAX 440	EH-EY-NY-OI	NH124	9,900				C4
4	MAX 440	EH-EY-NX-OI	NH123	9,900				A4/C4
4	TA-28	AD-EG-EY-MT-NR-NX	NH20	8,996				C4
4	TA-28 Plus	AD-EG-EY-MT-NR-NX	NH25	9,605				C4
4	TA-28 Plus	AD-EG-EY-MT-NR-NY	NH20	9,605				C4
4	TA-29	AD-EG-EY-MT-NR-NX	NH20	9,937				C4
4	TA-29	AD-EG-EY-MT-NR-NY	NH25	9,937				C4
4	TA-46A	AD-EH-EY-MT-NR-NX	NH20	11,039				C4
4	TA-48	AD-EH-EY-MT-NR-NX	NH20	12,204				C4
4	XTA-400	EH-EY-NR-NX	NH21	11,958				C4
4	XTA-400	EK-EY-NR-NY	NH28	11,889				C4
4	CC-340	EH-EY-NR-NX	NH19	9,950				C4
4	CC-340	EH-EY-NR-NY	NH26	9,950				C4
4	CC-360	EK-EY-NR-NY	NH27	11,995				C4
4	CC-360	EH-EY-NR-NX	NH38	11,995				C4
4	FM-540	EH-MR-NY	NH73	10,900				C4
4	FM-540	EH-EY-NX	NH74	10,900				C4
4	FM-550	EH-EY-NX	NH87	14,470				C4
4	FM-550	EH-EY-NY	NH44	14,470				C4

TRACTOR	LOADER SELECTION	MOUNTING BRACKETS	HYD.					
MODEL	WD	FT	LOADER MODEL	FOOTNOTES	BRKT KIT	PACKAGE PRICE	REAR AXLE KIT	VALVE JOYSTICK Pkg
<b>MXU130</b>								
4	MAX 440	EH-EY-NY-OI	NH124	9,900				C4
4	MAX 440	EH-EY-NX-OI	NH123	9,900				A4/C4
4	TA-28	AD-EG-EY-MT-NR-NX	NH20	8,996				C4
4	TA-28 Plus	AD-EG-EY-MT-NR-NX	NH25	9,582				C4
4	TA-28 Plus	AD-EG-EY-MT-NR-NY	NH20	9,605				C4
4</								



# CHALLENGER - CATERPILLAR

CHALLENGER - CATERPILLAR						
TRACTOR	LOADER SELECTION		MOUNTING BRACKETS		HYD.	
MODEL WD	FIT	LOADER MODEL	FOOTNOTES	BRKT KIT	PACKAGE PRICE	REAR AXLE KIT
MT225B	4	TA-55	AA-EX	AC48	4,678	INC
MT265	4	TA-111	AQ-CH-NP	AC41	5,117	INC
	4	TA-170	AQ-CH-NP	AC42	6,055	INC
	4	TA-175	AQ-CH-NP	AC42	6,395	INC
MT265B	4	TA-111	DH-EZ	MF80	5,163	INC
	4	TA-170	EZ	MF81	6,055	INC
MT265 HYDRO	4	TA-111	AQ-CH-NP	AC41	5,117	INC
	4	TA-170	AQ-CH-NP	AC42	6,055	INC
	4	TA-175	AQ-CH-NP	AC42	6,395	INC
MT275	4	TA-111	AQ-CH-NP	AC41	5,117	INC
	4	TA-170	AQ-CH-NP	AC42	6,055	INC
	4	TA-175	AQ-CH-NP	AC42	6,395	INC
MT275B	4	TA-111	DH-EZ	MF80	5,163	INC
	4	TA-170	EZ	MF81	6,055	INC
MT285	4	TA-111	AQ-CH-NP	AC41	5,117	INC
	4	TA-170	AQ-CH-NP	AC42	6,055	INC
	4	TA-175	AQ-CH-NP	AC42	6,395	INC
MT285B	4	TA-170	EX	MF77	6,055	INC
MT285 HYDRO	4	TA-111	AQ-CH-NP	AC41	5,117	INC
	4	TA-170	AQ-CH-NP	AC42	6,055	INC
	4	TA-175	AQ-CH-NP	AC42	6,395	INC
MT297	4	TA-160	DH-MS-NP-OH	AC95	5,430	INC
	4	TA-170	MS-OH	CH8	6,055	INC
MT315B	4	TA-26	AO-EG-MT	MF90	7,111	A4
	4	TA-26 Plus	AO-EG-MT	MF90	7,551	A4
	4	TA-26-12	AO-EG-MT	MF90	8,371	A4
	4	CC-330	AO-EG	MF91	8,715	A4
MT325B	4	TA-26	AO-EG-MT	MF90	7,111	A4
	4	TA-26 Plus	AO-EG-MT	MF90	7,551	A4
	4	TA-26-12	AO-EG-MT	MF90	8,371	A4
	4	CC-330	AO-EG	MF91	8,715	A4
MT335B	4	TA-26	AO-EG-MT	MF90	7,111	A4
	4	TA-26 Plus	AO-EG-MT	MF90	7,551	A4
	4	TA-26-12	AO-EG-MT	MF90	8,371	A4
	4	CC-330	AO-EG	MF91	8,715	A4
MT345B	4	TA-26	AO-EG-MT	MF90	7,111	A4
	4	TA-26 Plus	AO-EG-MT	MF90	7,551	A4
	4	TA-26-12	AO-EG-MT	MF90	8,371	A4
	4	CC-330	AO-EG	MF91	8,715	A4
MT425	2	TA-28 Plus	AO-EG-MZ	MF32	9,766	A4
	2	TA-29	AO-EG-MZ	MF32	10,121	A4
	4	MAX 420	EI	AC101	8,900	A4
	4	TA-26	AO-EG-NB	MF31▲	7,065	A4
	4	TA-26 Plus	AO-EG-NB	MF31▲	7,505	A4
	4	TA-26-12	AO-EG-NB	MF31▲	8,325	A4
	4	CC-340	EI-MT	AC44	9,950	A4
MT425B	2	MAX 420	AA-OI	MF109	9,000	A4
	2	WL-21	GR-ON	MF76	6,941	A4
	2	WL-27	GR-ON	MF76	7,971	A4
	2	TA-26	AO-GR-OE-ON	MF75	7,134	A4
	2	TA-26 Plus	AO-GR-OE-ON	MF75	7,574	A4
	2	TA-26-12	AO-GR-OE-ON	MF75	8,394	A4
	2	TA-28	GR-ON	MF68	9,203	A4
	2	TA-28 Plus	GR-ON	MF68	9,743	A4
	2	TA-28 Plus	AA-OI-OP	MF114	10,134	A4
	2	TA-29	GR-ON	MF68	10,098	A4
	2	TA-29	AA-OI-OP	MF114	10,489	A4
	4	MAX 420	AA-EH-OI	MF109	9,000	A4
	4	TA-26	AD-EL-GR-MT-OE-ON	MF75	7,134	A4
	4	TA-26 Plus	AD-EL-GR-MT-OE-ON	MF75	7,574	A4
	4	TA-26-12	AD-EL-GR-MT-OE-ON	MF75	8,394	A4
	4	TA-28 Plus	AO-EH-GR-MT	MF67	10,134	A4
	4	TA-29	AO-EH-GR-MT	MF67	10,489	A4
	4	CC-340	AA-EG	MF86	10,318	INC
	4	FM-540	AA-EG-OI	MF101	10,900	INC

TRACTOR	LOADER SELECTION		MOUNTING BRACKETS		HYD.	
MODEL WD	FIT	LOADER MODEL	FOOTNOTES	BRKT KIT	PACKAGE PRICE	REAR AXLE KIT
MT445	2	TA-28 Plus	AO-EG-MZ	MF32	9,766	A4
	2	TA-29	AO-EG-MZ	MF32	10,121	A4
	4	MAX 420	EI	AC101	8,900	A4
	4	TA-26	AO-EG-NB	MF31▲	7,065	A4
	4	TA-26 Plus	AO-EG-NB	MF31▲	7,505	A4
	4	TA-26-12	AO-EG-NB	MF31▲	8,325	A4
	4	CC-340	EI-MT	AC44	9,950	A4
MT445B	2	MAX 420	AA-OI	MF109	9,000	A4
	2	WL-21	GR-ON	MF76	6,941	A4
	2	WL-27	GR-ON	MF76	7,971	A4
	2	TA-26	AO-GR-OE-ON	MF75	7,134	A4
	2	TA-26 Plus	AO-GR-OE-ON	MF75	7,574	A4
	2	TA-26-12	AO-GR-OE-ON	MF75	8,394	A4
	2	TA-28	GR-ON	MF68	9,203	A4
	2	TA-28 Plus	GR-ON	MF68	9,743	A4
	2	TA-28 Plus	AA-OI-OP	MF114	10,134	A4
	2	TA-29	GR-ON	MF68	10,098	A4
	2	TA-29	AA-OI-OP	MF114	10,489	A4
	4	MAX 420	AA-EH-OI	MF109	9,000	A4
	4	TA-26	AD-EL-GR-MT-OE-ON	MF75	7,134	A4
	4	TA-26 Plus	AD-EL-GR-MT-OE-ON	MF75	7,574	A4
	4	TA-26-12	AD-EL-GR-MT-OE-ON	MF75	8,394	A4
	4	TA-28 Plus	AO-EH-GR-MT	MF67	10,134	A4
	4	TA-29	AO-EH-GR-MT	MF67	10,489	A4
	4	CC-340	AA-EG	MF86	10,318	INC
	4	FM-540	AA-EG-OI	MF101	10,900	INC
MT455	2	TA-28 Plus	AO-EG-MZ	MF32	9,766	A4
	2	TA-29	AO-EG-MZ	MF32	10,121	A4
	4	MAX 420	EI	AC101	8,900	A4
	4	TA-26	AO-EG-NB	MF31▲	7,065	A4
	4	TA-26 Plus	AO-EG-NB	MF31▲	7,505	A4
	4	TA-26-12	AO-EG-NB	MF31▲	8,325	A4
	4	CC-340	EI-MT	AC44	9,950	A4
MT455B	2	MAX 420	AA-OI	MF109	9,000	A4
	2	WL-21	GR-ON	MF76	6,941	A4
	2	WL-27	GR-ON	MF76	7,971	A4
	2	TA-26	AO-GR-OE-ON	MF75	7,134	A4
	2	TA-26 Plus	AO-GR-OE-ON	MF75	7,574	A4
	2	TA-26-12	AO-GR-OE-ON	MF75	8,394	A4
	2	TA-28	GR-ON	MF68	9,203	A4
	2	TA-28 Plus	GR-ON	MF68	9,743	A4
	2	TA-28 Plus	AA-OI-OP	MF114	10,134	A4
	2	TA-29	GR-ON	MF68	10,098	A4
	2	TA-29	AA-OI-OP	MF114	10,489	A4
	4	MAX 420	AA-EH-OI	MF109	9,000	A4
	4	TA-26	AD-EL-GR-MT-OE-ON	MF75	7,134	A4
	4	TA-26 Plus	AD-EL-GR-MT-OE-ON	MF75	7,574	A4
	4	TA-26-12	AD-EL-GR-MT-OE-ON	MF75	8,394	A4
	4	TA-28 Plus	AO-EH-GR-MT	MF67	10,134	A4
	4	TA-29	AO-EH-GR-MT	MF67	10,489	A4
	4	CC-340	AA-EG	MF86	10,318	INC
	4	FM-540	AA-EG-OI	MF101	10,900	INC
MT465	2	TA-28 Plus	AO-EG-MZ	MF32	9,766	A4
	2	TA-29	AO-EG-MZ	MF32	10,121	A4
	4	MAX 420	EI	AC101	8,900	A4
	4	TA-26	AO-EG-NB	MF31▲	7,065	A4
	4	TA-26 Plus	AO-EG-NB	MF31▲	7,505	A4
	4	TA-26-12	AO-EG-NB	MF31▲	8,325	A4
	4	CC-340	EI-MT	AC44	9,950	A4
MT465B	2	MAX 420	AA-OI	MF109	9,000	A4
	2	WL-21	GR-ON	MF76	6,941	A4
	2	WL-27	GR-ON	MF76	7,971	A4
	2	TA-26	AO-GR-OE-ON	MF75	7,134	A4
	2	TA-26 Plus	AO-GR-OE-ON	MF75	7,574	A4
	2	TA-26-12	AO-GR-OE-ON	MF75	8,394	A4
	2	TA-28	GR-ON	MF68	9,203	A4
	2	TA-28 Plus	GR-ON	MF68	9,743	A4
	2	TA-28 Plus	AA-OI-OP	MF114	10,134	A4
	2	TA-29	GR-ON	MF68	10,098	A4
	2	TA-29	AA-OI-OP	MF114	10,489	A4
	4	MAX 420	AA-EH-OI	MF109	9,000	A4
	4	TA-26	AD-EL-GR-MT-OE-ON	MF75	7,134	A4
	4	TA-26 Plus	AD-EL-GR-MT-OE-ON	MF75	7,574	A4
	4	TA-26-12	AD-EL-GR-MT-OE-ON	MF75	8,394	A4
	4	TA-28 Plus	AO-EH-GR-MT	MF67	10,134	A4
	4	TA-29	AO-EH-GR-MT	MF67	10,489	A4
	4	CC-340	AA-EG	MF86	10,318	INC
	4	FM-540	AA-EG-OI	MF101	10,900	INC

TRACTOR	LOADER SELECTION		MOUNTING BRACKETS		HYD.	
MODEL WD	FIT	LOADER MODEL	FOOTNOTES	BRKT KIT	PACKAGE PRICE	REAR AXLE KIT
MT475B	4	XTA-400	EK-MR-OG-OI-OP	CH6	11,958	C4
	4	CC-360	EK-MR-OG-OI-OP	CH5	11,995	C4
	4	FM-560	EK-MR-OG-OI-OP	CH7	16,900	C4
MT525B	4	MAX 420	EK-MR-OG-OI-ON	AC100	8,900	A4
	4	TA-28	AO-EK-MR-MT-OE-ON	AC45	9,180	C4
	4	TA-28 Plus	AO-EK-MR-MT-OE-ON	CH3	9,651	C4
	4	TA-28 Plus	AO-EK-MR-MT-OE-ON	AC45	9,812	C4
	4	TA-29	AO-EK-MR-MT-OE-ON	CH3	10,006	C4
	4	TA-29	AO-EK-MR-MT-OE-ON	AC45	10,167	C4
	4	TA-46A	AO-EK-MR-MT-OE-ON	AC45	11,269	C4
	4	XTA-400	EK-MR-OG-OI-OP	CH6	11,958	C4
	4	CC-360	EK-MR-OG-OI-OP	CH5	11,995	C4
	4	FM-560	EK-MR-OG-OI-OP	CH7	16,900	C4
MT535	4	TA-28	AO-EH-MR	AC35	9,226	C4
	4	TA-28 Plus	AO-EH-MR	AC35	9,812	C4
	4	TA-29	AO-EH-MR	AC35	10,167	C4
	4	TA-46A	AO-EH-MR	AC35	11,315	C4
	4	TA-48	AO-EH-MR	AC35	12,480	C4
MT535B	4	MAX 420	EK-MR-OG-OI-ON	AC100	8,900	A4
	4	TA-28	AO-EK-MR-MT-OE-ON	AC45	9,180	C4
	4	TA-28 Plus	AO-EK-MR-MT-OE-ON	CH3	9,651	C4
	4	TA-28 Plus	AO-EK-MR-MT-OE-ON	AC45	9,812	C4
	4	TA-29	AO-EK-MR-MT-OE-ON	CH3	10,006	C4
	4	TA-29	AO-EK-MR-MT-OE-ON	AC45	10,167	C4
	4	TA-46A	AO-EK-MR-MT-OE-ON	AC45	11,269	C4
	4	XTA-400	EK-MR-OG-OI-OP	CH6		

TRACTOR	LOADER SELECTION	MOUNTING BRACKETS	HYD.
MODEL WD	FIT LOADER MODEL FOOTNOTES	BRKT KIT PACKAGE PRICE REAR AXLE KIT VALVE JOYSTICK PKG	
7110	2 WL-42A	DE8 9,205	A4
	2 TA-46	NK DE8 11,016	A4
	2 TA-48	DE8 12,227	A4
	4 TA-46	AM-NK DE11 11,177	A4
	4 TA-48	AM DE11 12,388	A4
7120	2 WL-42A	DE8 9,205	A4
	2 TA-46	NK DE8 11,016	A4
	2 TA-48	DE8 12,227	A4
	4 TA-46	AM-NK DE11 11,177	A4
	4 TA-48	AM DE11 12,388	A4
7145	4 TA-76	DE12 12,595	A4
	4 TA-77	DE12 13,265	A4
9130	2 WL-42	4ZDE10 9,340	A4
	2 TA-46	AA DE19 11,545	INC A4
	2 TA-48	AA DE19 12,779	INC A4
	2 TA-76	AA DE19 12,986	INC A4
	2 TA-77	AA DE19 13,656	INC A4
9150	4 TA-46	DE18 11,039	A4
	4 TA-48	DE18 12,319	A4
	4 TA-76	DE18 12,595	A4
	4 TA-77	DE18 13,265	A4
9170	4 TA-46A	AO-CI DE14 11,085	A4
	4 TA-48	AO-CI DE14 12,250	A4
	4 TA-76	AA-NK DE13 13,032	INC A4
	4 TA-77	AA-NK DE13 13,702	INC A4
	9190	4 TA-76	AA-NK DE13 13,032
4 TA-77		AA-NK DE13 13,702	INC A4
AGROFARM 85	4 TA-26	AA-AO-EG-NK-OJ DE35 7,502	A4
	4 TA-26 Plus	AA-AO-EG-OJ DE35 7,942	A4
	4 FM-540	AA-EG-MT-MY DE31 10,900	A4
	AGROFARM 100	4 TA-26	AA-AO-EG-NK-OJ DE34 7,502
4 TA-26 Plus		AA-AO-EG-OJ DE34 7,942	A4
AGROKID 25A	4 TA-54	DHMV-NM INC 4,540	A4
	AGROKID 25A/HST	4 TA-54	DHMV-NM INC 4,540
AGROKID 35A		4 TA-54	DHMV-NM INC 4,540
	AGROKID 45A	4 TA-54	DHMV-NM INC 4,540
AGROLUX 60		4 TA-160	AO DE21 5,476
	4 TA-180	AO-NK DE22 6,803	INC
	4 TA-26	AO-NK DE23 7,065	A4
	4 TA-26 Plus	AO-NK DE23 7,505	A4
	4 TA-26-12	AO-NK DE23 8,325	A4
AGROLUX 67	4 CC-330	AA-DL-EM-NP DE30 8,715	A4
	AGROLUX 70	4 TA-180	AO-NK DE22 6,803
4 TA-26		AO-NK DE23 7,065	A4
4 TA-26 Plus		AO-NK DE23 7,505	A4
4 TA-26-12		AO-NK DE23 8,325	A4
AGROLUX 80		4 TA-26	AA-AO-EG-NK DE26 7,456
	4 TA-26 Plus	AA-AO-EG-NK DE26 7,896	INC A4
	4 TA-26-12	AA-AO-EG-NK DE26 8,716	INC A4
	4 CC-340	AA-EG DE27 9,950	INC A4
	AGROPLUS 75	4 TA-26	AO-AQ-EG-MT DE24 7,111
4 TA-26 Plus		AO-AQ-EG-MT DE24 7,551	207 A4
4 TA-26-12		AO-AQ-EG-MT DE24 8,371	207 A4
4 CC-340		AO-AQ-EG-MT DE28 9,950	A4
AGROPLUS 77		4 TA-185	AA-AO-AP-EM-MT-OI DE32 7,217
	4 TA-26	NK-OI-OJ DE32 7,479	A4
	4 TA-26 Plus	AA-AO-AP-EM-MT-OI DE32 7,919	A4

TRACTOR	LOADER SELECTION	MOUNTING BRACKETS	HYD.	
MODEL WD	FIT LOADER MODEL FOOTNOTES	BRKT KIT PACKAGE PRICE REAR AXLE KIT VALVE JOYSTICK PKG		
AGROPLUS 80	4 TA-26	AO-EM-MT-NK-OJ DE29 7,111	A4	
	4 TA-26 Plus	AO-EM-MT-OJ DE29 7,551	A4	
AGROPLUS 85	4 TA-26	AO-AQ-EG-MT DE24 7,111	207 A4	
	4 TA-26 Plus	AO-AQ-EG-MT DE24 7,551	207 A4	
	4 TA-26-12	AO-AQ-EG-MT DE24 8,371	207 A4	
	4 CC-340	AO-AQ-EG-MT DE28 9,950	A4	
	AGROPLUS 87	4 TA-185	AA-AO-AP-EM-MT-OI DE32 7,217	A4
4 TA-26		NK-OI-OJ DE32 7,479	A4	
4 TA-26 Plus	AA-AO-AP-EM-MT-OI DE32 7,919	A4		
AGROPLUS 95	4 TA-26	AO-AQ-EG-MT DE24 7,111	207 A4	
	4 TA-26 Plus	AO-AQ-EG-MT DE24 7,551	207 A4	
	4 TA-26-12	AO-AQ-EG-MT DE24 8,371	207 A4	
	4 CC-340	AO-AQ-EG-MT DE28 9,950	A4	
	D3607	2 TA-25	DE2 5,690	230 A4
2 TA-26		DE2 6,950	A4	
2 TA-26 Plus		DE2 7,390	A4	
2 TA-26-12		DE2 8,210	A4	
D4206 POWER STEERING	2 TA-25	DR DE5 5,690	A4	
	2 TA-26	DR DE5 6,950	A4	
	2 TA-26 Plus	DR DE5 7,390	A4	
	2 TA-26-12	DR DE5 8,210	A4	
	D4206 MECHANICAL STEERING	2 TA-26	DK DE9 6,950	A4
2 TA-26 Plus		DK DE9 7,390	A4	
2 TA-26-12		DK DE9 8,210	A4	
D4207		2 TA-25	DR DE5 5,690	A4
		2 TA-25	DK DE9 5,690	A4
	2 TA-26	DR DE5 6,950	A4	
	2 TA-26	DK DE9 6,950	A4	
	2 TA-26 Plus	DR DE5 7,390	A4	
2 TA-26 Plus	DK DE9 7,390	A4		
2 TA-26-12	DR DE5 8,210	A4		
2 TA-26-12	DK DE9 8,210	A4		
D4506 POWER STEERING	2 WL-21	DR 21DE1 6,895	A4	
	2 TA-25	DR DE5 5,690	A4	
	2 TA-26	DR DE5 6,950	A4	
	2 TA-26 Plus	DR DE5 7,390	A4	
	2 TA-26-12	DR DE5 8,210	A4	
D4506 MECHANICAL STEERING	2 TA-25	DK DE5 5,690	A4	
	2 TA-26	DK DE5 6,950	A4	
	2 TA-26 Plus	DK DE5 7,390	A4	
	2 TA-26-12	DK DE5 8,210	A4	
	D4506	4 WL-21	21DE2 6,665	A4
D5207		2 WL-21	DR 21DE1 6,895	A4
	D5507	2 WL-21	21DE4 6,665	A4
D6006 MECHANICAL STEERING		2 TA-25	DK DE9 5,690	A4
	2 TA-26	DK DE9 6,950	A4	
	2 TA-26 Plus	DK DE9 7,390	A4	
	2 TA-26-12	DK DE9 8,210	A4	
	D6006 POWER STEERING	2 WL-21	DR 21DE1 6,895	A4
2 TA-25		DR DE5 5,690	A4	
2 TA-26		DR DE5 6,950	A4	
2 TA-26 Plus		DR DE5 7,390	A4	
2 TA-26-12		DR DE5 8,210	A4	
D6206 MECHANICAL STEERING	2 TA-25	DK DE9 5,690	A4	
	2 TA-26	DK DE9 6,950	A4	
	2 TA-26 Plus	DK DE9 7,390	A4	
	2 TA-26-12	DK DE9 8,210	A4	
	D6206 POWER STEERING	2 WL-21	DR 21DE1 6,895	A4
2 TA-25		DR DE5 5,690	A4	
2 TA-26		DR DE5 6,950	A4	
2 TA-26 Plus		DR DE5 7,390	A4	
2 TA-26-12		DR DE5 8,210	A4	

TRACTOR	LOADER SELECTION	MOUNTING BRACKETS	HYD.	
MODEL WD	FIT LOADER MODEL FOOTNOTES	BRKT KIT PACKAGE PRICE REAR AXLE KIT VALVE JOYSTICK PKG		
D6206	4 WL-21	21DE3 6,665	A4	
	D6207 MECHANICAL STEERING	2 TA-26	DK DE9 6,950	A4
2 TA-26 Plus		DK DE9 7,390	A4	
2 TA-26-12		DK DE9 8,210	A4	
4 WL-21		21DE4 6,665	A4	
4 TA-26		DK DE9 6,950	A4	
4 TA-26 Plus		DK DE9 7,390	A4	
4 TA-26-12		DK DE9 8,210	A4	
D6507		2 TA-26	DD DE4 7,226	A4
		2 TA-26 Plus	DD DE4 7,666	A4
		2 TA-26-12	DD DE4 8,486	A4
	4 TA-26	DD DE4 7,226	A4	
	4 TA-26 Plus	DD DE4 7,666	A4	
4 TA-26-12	DD DE4 8,486	A4		
D6806	4 WL-21	DR-EN 21DE1 6,895	A4	
	D6807	2 TA-25	DE10 5,690	A4
		2 TA-26	DE10 6,950	A4
		2 TA-26 Plus	DE10 7,390	A4
2 TA-26-12		DE10 8,210	A4	
4 TA-26		DD DE4 7,226	A4	
4 TA-26 Plus	DD DE4 7,666	A4		
4 TA-26-12	DD DE4 8,486	A4		
D7007	2 TA-25	ME DE3 6,150	A4	
	2 TA-26	ME DE3 7,410	A4	
	2 TA-26 Plus	ME DE3 7,850	A4	
	2 TA-26-12	ME DE3 8,670	A4	
	4 TA-26	ME DE3 7,410	A4	
4 TA-26 Plus	ME DE3 7,850	A4		
4 TA-26-12	ME DE3 8,670	A4		
D7807	2 WL-21	AA-CJ 21DE5 7,010	INC A4	
	2 WL-42	CF-CJ 42DE 9,248	A4	
	2 TA-26	ME DE3 7,410	A4	
	2 TA-26 Plus	ME DE3 7,850	A4	
	2 TA-26-12	ME DE3 8,670	A4	
4 TA-26	ME DE3 7,410	A4		
4 TA-26 Plus	ME DE3 7,850	A4		
4 TA-26-12	ME DE3 8,670	A4		
D7807C	4 TA-26	ME DE3 7,410	A4	
	4 TA-26 Plus	ME DE3 7,850	A4	
	4 TA-26-12	ME DE3 8,670	A4	
	D8006 WITH HYDRO-STATIC STEERING	2 WL-42	42DE3 9,340	A4
		D8006 WITH STEERING ARM	2 WL-42	42DE2 9,340
D8006	4 WL-42		42DE4 9,202	A4
	D100 06	4 WL-42	42DE4 9,202	A4
D100 06 WITH HYDRO-STATIC STEERING		2 WL-42	42DE3 9,340	A4
	D100 06 WITH STEERING ARM	2 WL-42	42DE2 9,340	A4
D130 06		2 WL-42	42DE5 9,340	A4
	DX3.10	2 TA-25	DA DE1 5,782	A4
2 TA-26		DA DE1 7,042	A4	
2 TA-26 Plus		DA DE1 7,482	A4	
2 TA-26-12		DA DE1 8,302	A4	
4 TA-25		DA-MD DE1 5,782	A4	
4 TA-26	DA-MD DE1 7,042	A4		
4 TA-26 Plus	DA-MD DE1 7,482	A4		
4 TA-26-12	DA-MD DE1 8,302	A4		

TRACTOR	LOADER SELECTION	MOUNTING BRACKETS	HYD.
MODEL WD	FIT LOADER MODEL FOOTNOTES	BRKT KIT PACKAGE PRICE REAR AXLE KIT VALVE JOYSTICK PKG	
DX3.30	2 TA-25	DA DE1 5,782	A4
	2 TA-26	DA DE1 7,042	A4
	2 TA-26 Plus	DA DE1 7,482	A4
	2 TA-26-12	DA DE1 8,302	A4
	4 TA-25	DA-MD DE1 5,782	A4
	4 TA-26 Plus	DA-MD DE1 7,482	A4
DX3.50	2 TA-25	DA DE1 5,782	A4
	2 TA-26	DA DE1 7,042	A4
	2 TA-26 Plus	DA DE1 7,482	A4
	2 TA-26-12	DA DE1 8,302	A4
	4 TA-25	DA-MD DE1 5,782	A4
	4 TA-26 Plus	DA-MD DE1 7,482	A4
DX3.70	2 WL-21	CV 21DE6 6,895	A4
	2 TA-25	DA DE1 5,782	A4
	2 TA-26	DA DE1 7,042	A4
	2 TA-26 Plus	DA DE1 7,482	A4
	2 TA-26-12	DA DE1 8,302	A4
	4 TA-26 Plus	DA DE1 7,482	A4
DX3.90	2 TA-25	DA DE1 5,782	A4
	2 TA-26	DA DE1 7,042	A4
	2 TA-26 Plus	DA DE1 7,482	A4
	2 TA-26-12	DA DE1 8,302	A4
	4 TA-26	DA DE1 7,042	A4
	4 TA-26 Plus	DA DE1 7,482	A4
DX4.70	2 TA-26	DE6 6,996	A4
	2 TA-26 Plus	DE6 7,436	A4
	2 TA-26-12	DE6 8,256	A4
	2 TA-28	NK DE6 8,950	A4
	2 TA-28 Plus	DE25 9,582	A4
	2 TA-29	DE25 9,937	A4
DX6.30	2 WL-42	AM-BV 42DE9 9,179	A4
	2 TA-46	MK-NK DE8 11,016	A4
	2 TA-48	MK DE8 12,227	A4
	4 TA-46	DE7 11,407	A4
	4 TA-48	DE7 12,618	A4
	DX90	2 WL-42	AM-BV 42DE6 9,156
4 TA-46		NK DE8 11,016	A4
4 TA-48		DE8 12,227	A4
DX110	2 WL-42	AM 42DE9 9,179	A4
	4 TA-46	NK DE8 11,016	A4
	4 TA-48	DE8 12,227	A4
DX120	2 WL-42	AM 42DE9 9,179	A4
	4 TA-46	NK DE8 11,016	A4
	4 TA-48	DE8 12,227	A4
DX130	2 WL-42A	42DE7 9,619	A4
	2 WL-64	CI 64DE3 12,430	A4
	2 TA-46	DE7 11,407	A4
	2 TA-48	DE7 12,618	A4
	4 WL-64	CI-DL 64DE2 12,430	A4
DX140	2 WL-42	AM-CI 42DE1 9,455	A4
	4 WL-64	BW-CI-DL 64DE1 12,430	A4
	DX160	2 WL-42	AM-CI 42DE1 9,455
4 WL-64		BW-CI-DL 64DE1 12,430	A4

TRACTOR	LOADER SELECTION	MOUNTING BRACKETS	HYD.	
MODEL WD	FIT LOADER MODEL FOOTNOTES	BRKT KIT PACKAGE PRICE REAR AXLE KIT VALVE JOYSTICK PKG		
364	2 TA-160	AA-GI EC1 6,005	INC INC	
	364NC	2 TA-160	AA-GI EC1 6,005	INC INC
712 VARIO		4 CC-360	AO-EK-MR FE1 11,995	A4
	4 FM-550	AO-EK-MR FE2 14,470	A4	
	714 VARIO	4 CC-360	AO-EK-MR FE1 11,995	A4
		4 FM-550	AO-EK-MR FE2 14,470	A4
	716 VARIO	4 CC-360	AO-EK-MR FE1 11,995	A4
4 FM-550		AO-EK-MR FE2 14,470	A4	
254A	4 TA-160	AA-DL FT3 5,729	INC INC	
	404	4 TA-160	DH-DL-ET-MS FT1 5,890	INC
		4 TA-185	AA-AO-DL-DW-ET FT5 7,171	INC INC
		4 TA-25	AA-AO-DL-DW-ET-MS-NK FT5 6,173	INC A4
		4 TA-26	AA-AO-DL-DW-ET-MS-NK FT5 7,433	INC A4
4 TA-26 Plus		AA-AO-DL-ET-MS-NK-OJ FT5 7,873	INC A4	
504	4 TA-185	AA-AO-DL-ET FT5 7,761		



TRACTOR	LOADER SELECTION	MOUNTING BRACKETS	HYD.					
MODEL	WD	FIT	LOADER MODEL	FOOTNOTES	BRKT KIT	PACKAGE PRICE	REAR AXLE KIT	VALVE JOYSTICK PKG
160-90	4	<input checked="" type="checkbox"/>	TA-46	NK	HF2	11,085		A4
	4		TA-48		HF2	12,457		A4
180-90	4	<input checked="" type="checkbox"/>	TA-46	EJ-NK	HF2	11,085		A4
	4		TA-48	EJ	HF2	12,457		A4
466	2	<input checked="" type="checkbox"/>	TA-25	DW-MA	HF1	5,736		A4
	2		TA-26	DW-MA	HF1	6,996		A4
	2		TA-26 Plus	DW-MA	HF1	7,436		A4
	2		TA-26-12	DW-MA	HF1	8,256		A4
466DT	4	<input checked="" type="checkbox"/>	TA-25	DW-MA	HF1	5,736		A4
	4		TA-26	DW-MA	HF1	6,996		A4
	4		TA-26 Plus	DW-MA	HF1	7,436		A4
	4		TA-26-12	DW-MA	HF1	8,256		A4
480	4		TA-26		AC3	7,157		A4
	4	<input checked="" type="checkbox"/>	TA-26 Plus		AC3	7,597		A4
	4		TA-26-12		AC3	8,417		A4
566	2		TA-25	DW-MA	HF1	5,736		A4
	2		TA-26	DW-MA	HF1	6,996		A4
	2	<input checked="" type="checkbox"/>	TA-26 Plus	DW-MA	HF1	7,436		A4
	2		TA-26-12	DW-MA	HF1	8,256		A4
566DT	4		TA-25	DW-MA	HF1	5,736		A4
	4		TA-26	DW-MA	HF1	6,996		A4
	4	<input checked="" type="checkbox"/>	TA-26 Plus	DW-MA	HF1	7,436		A4
	4		TA-26-12	DW-MA	HF1	8,256		A4
640	2	<input checked="" type="checkbox"/>	WL-21	AC-AG-AM	21HF1	6,757		A4
	2		WL-27	AC-AG-AM	27HF1	7,787		A4
666	2	<input checked="" type="checkbox"/>	WL-21		21HF3	6,780		A4
	2		WL-27		27HF3	7,810		A4
	2		TA-25	DW-MA	HF1	5,736		A4
	2		TA-26	DW-MA	HF1	6,996		A4
	2	<input checked="" type="checkbox"/>	TA-26 Plus	DW-MA	HF1	7,436		A4
	2		TA-26-12	DW-MA	HF1	8,256		A4
666DT	4		TA-26	DW-MA	HF1	6,996		A4
	4	<input checked="" type="checkbox"/>	TA-26 Plus	DW-MA	HF1	7,436		A4
	4		TA-26-12	DW-MA	HF1	8,256		A4
680	2		TA-25	DW-MA	HF1	5,736		A4
	2		TA-26	DW	HF1	6,996		A4
	2	<input checked="" type="checkbox"/>	TA-26 Plus	DW	HF1	7,436		A4
	2		TA-26-12	DW	HF1	8,256		A4
680DT	4	<input checked="" type="checkbox"/>	TA-25	DW-MA	HF1	5,736		A4
	4		TA-26	DW	HF1	6,996		A4
766	2		TA-26	DW-MA	HF1	6,996		A4
	2	<input checked="" type="checkbox"/>	TA-26 Plus	DW-MA	HF1	7,436		A4
	2		TA-26-12	DW-MA	HF1	8,256		A4
766DT	4		TA-26	DW-MA	HF1	6,996		A4
	4	<input checked="" type="checkbox"/>	TA-26 Plus	DW-MA	HF1	7,436		A4
	4		TA-26-12	DW-MA	HF1	8,256		A4
780	2		TA-26	DW-MC	HF1	6,996		A4
	2	<input checked="" type="checkbox"/>	TA-26 Plus	DW-MC	HF1	7,436		A4
	2		TA-26-12	DW-MC	HF1	8,256		A4
	2		TA-28	DW-MB	HF1	9,226		A4
780DT	4		TA-26	DW-MB	HF1	6,996		A4
	4	<input checked="" type="checkbox"/>	TA-26 Plus	DW-MB	HF1	7,436		A4
	4		TA-26-12	DW-MB	HF1	8,256		A4
	4		TA-28	DW-MB	HF1	9,226		A4
880	2	<input checked="" type="checkbox"/>	WL-21	AA	HF3	7,171	INC	A4
	2		WL-27	AA	HF3	8,201	INC	A4

TRACTOR	LOADER SELECTION	MOUNTING BRACKETS	HYD.					
MODEL	WD	FIT	LOADER MODEL	FOOTNOTES	BRKT KIT	PACKAGE PRICE	REAR AXLE KIT	VALVE JOYSTICK PKG
880/5	2		WL-42		HF3	9,478		A4
	2		TA-26	AA	HF3	7,502	INC	A4
	2	<input checked="" type="checkbox"/>	TA-26 Plus	AA	HF3	7,942	INC	A4
	2		TA-26-12	AA	HF3	8,762	INC	A4
	2		TA-28	AA	HF3	9,341	INC	A4
880/5DT	4		TA-26	AA	HF3	7,502	INC	A4
	4	<input checked="" type="checkbox"/>	TA-26 Plus	AA	HF3	7,942	INC	A4
	4		TA-26-12	AA	HF3	8,762	INC	A4
	4		TA-28	AA	HF3	9,341	INC	A4
	4		TA-28 Plus	AA	HF3	9,881	INC	A4
980	2		WL-21	AA	HF3	7,171	INC	A4
	2		WL-21	AA	21HF2	7,056	INC	A4
	2		WL-27	AA	HF3	8,201	INC	A4
	2		WL-27	AA	27HF2	8,086	INC	A4
	2		WL-42	AA	HF3	9,478		A4
980DT	4		TA-26	AA	HF3	7,502	INC	A4
	4	<input checked="" type="checkbox"/>	TA-26 Plus	AA	HF3	7,942	INC	A4
	4		TA-26-12	AA	HF3	8,762	INC	A4
	4		TA-28	AA	HF3	9,341	INC	A4
	4		TA-28 Plus	AA	HF3	9,881	INC	A4
1180DT	4		WL-64	AA	64HF2	12,660	INC	A4
	4	<input checked="" type="checkbox"/>	TA-46	AA	HF5	11,637	INC	A4
	4		TA-48	AA	HF5	12,871	INC	A4
	4		WL-64	AA	64HF2	12,660	INC	A4
	4	<input checked="" type="checkbox"/>	TA-46	AA	HF5	11,637	INC	A4
1380DT	4		WL-64	AA	64HF2	12,660	INC	A4
	4	<input checked="" type="checkbox"/>	TA-46	AA	HF5	11,637	INC	A4
	4		TA-48	AA	HF5	12,871	INC	A4
1580DT	4		WL-64	AA	64HF1	12,660	INC	A4
	4	<input checked="" type="checkbox"/>	TA-46	NK	HF2	11,085		A4
	4		TA-48	NK	HF2	12,457		A4
1880DT	4		WL-64	AA	64HF1	12,660	INC	A4
	4	<input checked="" type="checkbox"/>	TA-46	NK	HF2	11,085		A4
	4		TA-48	NK	HF2	12,457		A4
F110	4	<input checked="" type="checkbox"/>	TA-28		HF7	8,950		A4
	4		TA-28 Plus		HF7	9,490		A4
	4		TA-29		HF7	9,845		A4
	4		TA-45	AO	HF7	9,620		A4
	4		TA-46		HF7	10,970		A4

HURLIMANN								
TRACTOR	LOADER SELECTION	MOUNTING BRACKETS	HYD.					
MODEL	WD	FIT	LOADER MODEL	FOOTNOTES	BRKT KIT	PACKAGE PRICE	REAR AXLE KIT	VALVE JOYSTICK PKG
PRINCE 325	4	<input checked="" type="checkbox"/>	TA-54	DH-MV-NM	INC	4,540		A4
	4		TA-54		INC	4,540		A4
PRINCE 325HST	4	<input checked="" type="checkbox"/>	TA-54	DH-MV-NM	INC	4,540		A4
	4		TA-54		INC	4,540		A4
PRINCE 435	4	<input checked="" type="checkbox"/>	TA-54	DH-MV-NM	INC	4,540		A4
	4		TA-54		INC	4,540		A4
PRINCE 445	4	<input checked="" type="checkbox"/>	TA-54	DH-MV-NM	INC	4,540		A4
	4		TA-54		INC	4,540		A4
XT-910.6	4		TA-28	AO-ES	HL1	9,387		A4
	4		TA-28 Plus	AO-ES	HL1	9,927		A4
	4	<input checked="" type="checkbox"/>	TA-29	AO-ES	HL1	10,282		A4
	4		XTA-400	AO-ES	HL2	12,257		A4
ISEKI	TRACTOR	LOADER SELECTION	MOUNTING BRACKETS	HYD.				
	MODEL	WD	FIT	LOADER MODEL	FOOTNOTES	BRKT KIT	PACKAGE PRICE	REAR AXLE KIT
TM3200	4	<input checked="" type="checkbox"/>	TA-55	AA-EX	AC48	4,678		INC
	4		TA-55		AC48	4,678		INC
TM3240	4	<input checked="" type="checkbox"/>	TA-55	AA-EX	AC48	4,678		INC
	4		TA-55		AC48	4,678		INC

TRACTOR	LOADER SELECTION	MOUNTING BRACKETS	HYD.						
MODEL	WD	FIT	LOADER MODEL	FOOTNOTES	BRKT KIT	PACKAGE PRICE	REAR AXLE KIT	VALVE JOYSTICK PKG	
50	2	<input checked="" type="checkbox"/>	TA-25		JD7	5,782		A4	
	2		TA-26		JD7	7,042		A4	
	2		TA-26 Plus		JD7	7,482		A4	
	2		TA-26-12		JD7	8,302		A4	
60	2	<input checked="" type="checkbox"/>	WL-21		JD7	6,757		A4	
	2		WL-27		JD7	7,787		A4	
	2		TA-25		JD7	5,782		A4	
	2		TA-26		JD7	7,042		A4	
	2		TA-26 Plus		JD7	7,482		A4	
	2		TA-26-12		JD7	8,302		A4	
70	2	<input checked="" type="checkbox"/>	TA-25		JD7	5,782		A4	
	2		TA-26		JD7	7,042		A4	
	2		TA-26 Plus		JD7	7,482		A4	
300	2		TA-160	CC-EZ-GR	JD34	5,545		INC	
	2		WL-21	CC-GO-GR	JD1▲	6,734		A4	
	2	<input checked="" type="checkbox"/>	TA-25	CC-DH-GR	JD1▲	5,805		A4	
	2	<input checked="" type="checkbox"/>	TA-25	CC-DH-GO	JD124	5,897		A4	
301A	2		TA-26	CC-DH-GR	JD1▲	7,065		A4	
	2		TA-26	CC-DH-GO	JD124	7,157		A4	
	2		TA-26 Plus	CC-DH-GR	JD1▲	7,505		A4	
	2		TA-26 Plus	CC-DH-GO	JD124	7,597		A4	
	2		TA-26-12	CC-DH-GR	JD1▲	8,325		A4	
	2		TA-26-12	CC-DH-GO	JD124	8,417		A4	
	4		TA-26	CC-DH-GR	JD1▲	7,065		A4	
	4	<input checked="" type="checkbox"/>	TA-26 Plus	CC-DH-GR	JD1▲	7,505		A4	
	4		TA-26-12	CC-DH-GR	JD1▲	8,325		A4	
	400	2	<input checked="" type="checkbox"/>	WL-21	CC-DH-EG-GO-GR	JD1▲	6,734		A4
		2		WL-42	CC	42JD1	9,041		A4
		2	<input checked="" type="checkbox"/>	TA-25	CC-DH-GR	JD1▲	5,805		A4
2		<input checked="" type="checkbox"/>	TA-25	CC-DH-GO	JD124	5,897		A4	
2			TA-26	CC-DH-GR	JD1▲	7,065		A4	
2			TA-26	CC-DH-GO	JD124	7,157		A4	
2			TA-26 Plus	CC-DH-GR	JD1▲	7,505		A4	
2			TA-26 Plus	CC-DH-GO	JD124	7,597		A4	
2			TA-26-12	CC-DH-GR	JD1▲	8,325		A4	
2			TA-26-12	CC-DH-GO	JD124	8,417		A4	
4			TA-26	CC-DH-GR	JD1▲	7,065		A4	
4		<input checked="" type="checkbox"/>	TA-26 Plus	CC-DH-GR	JD1▲	7,505		A4	
4		TA-26-12	CC-DH-GR	JD1▲	8,325		A4		
401B	2		WL-21	CC-DH-GO-GR	JD1▲	6,734		A4	
	2	<input checked="" type="checkbox"/>	TA-25	CC-DH					





TRACTOR	LOADER SELECTION	MOUNTING BRACKETS	HYD.						
MODEL	WD	FIT	LOADER MODEL	FOOTNOTES	BRKT KIT	PACKAGE PRICE	REAR AXLE KIT	VALVE JOYSTICK PKG	
3032E	4	<input checked="" type="checkbox"/>	TA-111A	DH-DI-MS-OH	JD114	5,025		INC	
	4	<input checked="" type="checkbox"/>	TA-170	DH-MS-OH	JD115	6,055		INC	
3038E	4	<input checked="" type="checkbox"/>	TA-111A	DH-DI-MS-OH	JD114	5,025		INC	
	4	<input checked="" type="checkbox"/>	TA-170	DH-MS-OH	JD115	6,055		INC	
3040	2	<input checked="" type="checkbox"/>	WL-21	AA-MG	21JD9	6,780	INC	A4	
	2	<input checked="" type="checkbox"/>	WL-27	AA-MG	27JD9	7,810	INC	A4	
	2	<input checked="" type="checkbox"/>	WL-42	AA-MG	42JD5	9,570	INC	A4	
	2	<input checked="" type="checkbox"/>	TA-26	AA-MG	JD11	7,640	INC	A4	
	2	<input checked="" type="checkbox"/>	TA-26 Plus	AA-MG	JD11	8,080	INC	A4	
	2	<input checked="" type="checkbox"/>	TA-26-12	AA-MG	JD11	8,900	INC	A4	
	2	<input checked="" type="checkbox"/>	TA-28	AA-MG	JD15	9,502	INC	A4	
	2	<input checked="" type="checkbox"/>	TA-28 Plus	AA-MG	JD15	10,042	INC	A4	
	2	<input checked="" type="checkbox"/>	TA-29	AA-MG	JD15	10,397	INC	A4	
	2	<input checked="" type="checkbox"/>	TA-46	AA	JD14	11,522	INC	A4	
	2	<input checked="" type="checkbox"/>	TA-48	AA	JD14	12,733	INC	A4	
	4	<input checked="" type="checkbox"/>	TA-26	AA-MG	JD5	7,571	INC	A4	
	4	<input checked="" type="checkbox"/>	TA-26 Plus	AA-MG	JD5	8,011	INC	A4	
	4	<input checked="" type="checkbox"/>	TA-26-12	AA-MG	JD5	8,831	INC	A4	
	4	<input checked="" type="checkbox"/>	TA-28	AA-MG	JD5	9,456	INC	A4	
	4	<input checked="" type="checkbox"/>	TA-28 Plus	AA-MG	JD4	9,904	INC	A4	
	4	<input checked="" type="checkbox"/>	TA-29	AA-MG	JD4	10,259	INC	A4	
	4	<input checked="" type="checkbox"/>	TA-45	AA-MG	JD4	9,965	INC	A4	
	4	<input checked="" type="checkbox"/>	TA-46	AA-MG	JD4	11,338	INC	A4	
	4	<input checked="" type="checkbox"/>	TA-48	AA-MG	JD4	12,572	INC	A4	
3055	2	<input checked="" type="checkbox"/>	WL-21	AA	JD12	7,401	INC	A4	
	2	<input checked="" type="checkbox"/>	WL-27	AA	JD12	8,431	INC	A4	
	2	<input checked="" type="checkbox"/>	WL-42	AA	JD12	9,662	INC	A4	
	2	<input checked="" type="checkbox"/>	TA-26	AA-NK	JD12	7,709	INC	A4	
	2	<input checked="" type="checkbox"/>	TA-26 Plus	AA-NK	JD12	8,149	INC	A4	
	2	<input checked="" type="checkbox"/>	TA-26-12	AA-NK	JD12	8,969	INC	A4	
	2	<input checked="" type="checkbox"/>	TA-28	AA-NK	JD12	9,617	INC	A4	
	2	<input checked="" type="checkbox"/>	TA-28 Plus	AA-NK	JD12	10,157	INC	A4	
	2	<input checked="" type="checkbox"/>	TA-29	AA-NK	JD12	10,512	INC	A4	
	2	<input checked="" type="checkbox"/>	TA-45	AA-NK	JD12	10,172	INC	A4	
	2	<input checked="" type="checkbox"/>	TA-46	AA-NK	JD12	11,568	INC	A4	
	2	<input checked="" type="checkbox"/>	TA-48	AA	JD12	12,802	INC	A4	
	3120	4	<input checked="" type="checkbox"/>	TA-170	DH-MX	JD88	6,055		INC
		4	<input checked="" type="checkbox"/>	TA-170	DW-MX	JD135	6,055		INC
3140	4	<input checked="" type="checkbox"/>	TA-28	AA-AD-EI-NK	JD8	9,410	INC	A4	
	4	<input checked="" type="checkbox"/>	TA-28 Plus	AA-AD-EI-NK	JD8	9,950	INC	A4	
	4	<input checked="" type="checkbox"/>	TA-29	AA-AD-EI-NK	JD8	10,305	INC	A4	
	4	<input checked="" type="checkbox"/>	TA-45	AA-AD-EI-NK	JD8	10,011	INC	A4	
	4	<input checked="" type="checkbox"/>	TA-46	AA-AD-EI	JD8	11,430	INC	A4	
3150	2	<input checked="" type="checkbox"/>	TA-45	AA-AM	JD8	10,011	INC	A4	
	2	<input checked="" type="checkbox"/>	TA-46	AA-AM	JD8	11,430	INC	A4	
	2	<input checked="" type="checkbox"/>	TA-48	AA-AM	JD8	12,664	INC	A4	
	4	<input checked="" type="checkbox"/>	TA-45	AA-AM	JD8	10,011	INC	A4	
	4	<input checked="" type="checkbox"/>	TA-46	AA-AM	JD8	11,430	INC	A4	
3155	4	<input checked="" type="checkbox"/>	TA-28	AA-AD-EI	JD8	9,410	INC	A4	
	4	<input checked="" type="checkbox"/>	TA-28 Plus	AA-AD-EI	JD8	9,950	INC	A4	
	4	<input checked="" type="checkbox"/>	TA-29	AA-AD-EI	JD8	10,305	INC	A4	
	4	<input checked="" type="checkbox"/>	TA-45	AA-AM	JD8	10,011	INC	A4	
	4	<input checked="" type="checkbox"/>	TA-46	AA-AM	JD8	11,430	INC	A4	
3203	4	<input checked="" type="checkbox"/>	TA-170	DH-MX	JD88	6,055		INC	
	3255	4	<input checked="" type="checkbox"/>	TA-28	AA-AD-EI	JD8	9,410	INC	A4
		4	<input checked="" type="checkbox"/>	TA-28 Plus	AA-AD-EI	JD8	9,950	INC	A4
		4	<input checked="" type="checkbox"/>	TA-29	AA-AD-EI	JD8	10,305	INC	A4
		4	<input checked="" type="checkbox"/>	TA-45	AA-AD	JD8	10,011	INC	A4
4		<input checked="" type="checkbox"/>	TA-46	AA-AD	JD8	11,430	INC	A4	
3320	4	<input checked="" type="checkbox"/>	TA-170	DH-MX	JD88	6,055		INC	
	4	<input checked="" type="checkbox"/>	TA-170	DW-MX	JD135	6,055		INC	
	3520	4	<input checked="" type="checkbox"/>	TA-170	DH-MX	JD88	6,055		INC
		4	<input checked="" type="checkbox"/>	TA-170	DW-MX	JD135	6,055		INC

TRACTOR	LOADER SELECTION	MOUNTING BRACKETS	HYD.					
MODEL	WD	FIT	LOADER MODEL	FOOTNOTES	BRKT KIT	PACKAGE PRICE	REAR AXLE KIT	VALVE JOYSTICK PKG
3720	4	<input checked="" type="checkbox"/>	TA-170	DH-MX	JD88	6,055		INC
	4	<input checked="" type="checkbox"/>	TA-170	DW-MX	JD135	6,055		INC
4000	2	<input checked="" type="checkbox"/>	WL-21	AQ	JD2▲	6,964	460	A4
	2	<input checked="" type="checkbox"/>	WL-27	AQ	JD2▲	7,994	460	A4
	2	<input checked="" type="checkbox"/>	WL-42	AQ-BV	JD2▲	9,225	598	A4
	2	<input checked="" type="checkbox"/>	WL-61		61JD2	10,837	460	A4
	2	<input checked="" type="checkbox"/>	TA-26	AQ	JD2▲	7,272	460	A4
	2	<input checked="" type="checkbox"/>	TA-26 Plus	AQ	JD2▲	7,712	460	A4
	2	<input checked="" type="checkbox"/>	TA-26-12	AQ	JD2▲	8,532	460	A4
	2	<input checked="" type="checkbox"/>	TA-28	AQ	JD2▲	9,157	575	A4
	2	<input checked="" type="checkbox"/>	TA-28 Plus	AQ	JD2▲	9,697	575	A4
	2	<input checked="" type="checkbox"/>	TA-29	AQ	JD2▲	10,052	575	A4
	2	<input checked="" type="checkbox"/>	TA-45	AQ	JD2▲	9,735	598	A4
	2	<input checked="" type="checkbox"/>	TA-46	AQ	JD2▲	11,131	598	A4
	2	<input checked="" type="checkbox"/>	TA-48	AQ	JD2▲	12,342	437	A4
	4	<input checked="" type="checkbox"/>	TA-26	AQ	JD2▲	7,272	460	A4
	4	<input checked="" type="checkbox"/>	TA-26 Plus	AQ	JD2▲	7,712	460	A4
	4	<input checked="" type="checkbox"/>	TA-26-12	AQ	JD2▲	8,532	460	A4
	4	<input checked="" type="checkbox"/>	TA-28	AQ	JD2▲	9,157	575	A4
	4	<input checked="" type="checkbox"/>	TA-28 Plus	AQ	JD2▲	9,697	575	A4
	4	<input checked="" type="checkbox"/>	TA-29	AQ	JD2▲	10,052	575	A4
	4	<input checked="" type="checkbox"/>	TA-45	AQ	JD2▲	9,735	598	A4
4	<input checked="" type="checkbox"/>	TA-46	AQ	JD2▲	11,131	598	A4	
4	<input checked="" type="checkbox"/>	TA-48	AQ	JD2▲	12,342	437	A4	
4010	2	<input checked="" type="checkbox"/>	WL-21	AQ-OL	JD2▲	6,964	460	A4
	2	<input checked="" type="checkbox"/>	WL-27	AQ-OL	JD2▲	7,994	460	A4
	2	<input checked="" type="checkbox"/>	WL-42	AQ-BV-OL	JD2▲	9,225	598	A4
	2	<input checked="" type="checkbox"/>	WL-61		61JD2	10,837	460	A4
	2	<input checked="" type="checkbox"/>	TA-26	AQ-OL	JD2▲	7,272	460	A4
	2	<input checked="" type="checkbox"/>	TA-26 Plus	AQ-OL	JD2▲	7,712	460	A4
	2	<input checked="" type="checkbox"/>	TA-26-12	AQ-OL	JD2▲	8,532	460	A4
	2	<input checked="" type="checkbox"/>	TA-28	AQ-OL	JD2▲	9,157	575	A4
	2	<input checked="" type="checkbox"/>	TA-28 Plus	AQ-OL	JD2▲	9,697	575	A4
	2	<input checked="" type="checkbox"/>	TA-29	AQ-OL	JD2▲	10,052	575	A4
	2	<input checked="" type="checkbox"/>	TA-45	AQ-OL	JD2▲	9,735	598	A4
	2	<input checked="" type="checkbox"/>	TA-46	AQ-OL	JD2▲	11,131	598	A4
	2	<input checked="" type="checkbox"/>	TA-48	AQ-OL	JD2▲	12,342	437	A4
	4	<input checked="" type="checkbox"/>	TA-26	AQ-OL	JD2▲	7,272	460	A4
4	<input checked="" type="checkbox"/>	TA-26 Plus	AQ-OL	JD2▲	7,712	460	A4	
4	<input checked="" type="checkbox"/>	TA-26-12	AQ-OL	JD2▲	8,532	460	A4	
4	<input checked="" type="checkbox"/>	TA-28	AQ-OL	JD2▲	9,157	575	A4	
4	<input checked="" type="checkbox"/>	TA-28 Plus	AQ-OL	JD2▲	9,697	575	A4	
4	<input checked="" type="checkbox"/>	TA-29	AQ-OL	JD2▲	10,052	575	A4	
4	<input checked="" type="checkbox"/>	TA-45	AQ-OL	JD2▲	9,735	598	A4	
4	<input checked="" type="checkbox"/>	TA-46	AQ-OL	JD2▲	11,131	598	A4	
4	<input checked="" type="checkbox"/>	TA-48	AQ-OL	JD2▲	12,342	437	A4	
4010 COMPACT	4	<input checked="" type="checkbox"/>	TA-55					A4
	4	<input checked="" type="checkbox"/>	TA-55					A4
4020	2	<input checked="" type="checkbox"/>	WL-27	AQ	JD2▲	7,994	460	A4
	2	<input checked="" type="checkbox"/>	WL-42	AQ-BV	JD2▲	9,225	598	A4
	2	<input checked="" type="checkbox"/>	WL-61		61JD2	10,837	460	A4
	2	<input checked="" type="checkbox"/>	TA-26	AQ	JD2▲	7,272	460	A4
	2	<input checked="" type="checkbox"/>	TA-26 Plus	AQ	JD2▲	7,712	460	A4
	2	<input checked="" type="checkbox"/>	TA-26-12	AQ	JD2▲	8,532	460	A4
	2	<input checked="" type="checkbox"/>	TA-28	AQ	JD2▲	9,157	575	A4
	2	<input checked="" type="checkbox"/>	TA-28 Plus	AQ	JD2▲	9,697	575	A4
	2	<input checked="" type="checkbox"/>	TA-29	AQ	JD2▲	10,052	575	A4
	2	<input checked="" type="checkbox"/>	TA-45	AQ	JD2▲	9,735	598	A4
	2	<input checked="" type="checkbox"/>	TA-46	AQ	JD2▲	11,131	598	A4
	2	<input checked="" type="checkbox"/>	TA-48	AQ	JD2▲	12,342	437	A4
	4	<input checked="" type="checkbox"/>	WL-64		64JD2	13,175		A4
	4	<input checked="" type="checkbox"/>	TA-26	AQ	JD2▲	7,272	460	A4
4	<input checked="" type="checkbox"/>	TA-26 Plus	AQ	JD2▲	7,712	460	A4	
4	<input checked="" type="checkbox"/>	TA-26-12	AQ	JD2▲	8,532	460	A4	
4	<input checked="" type="checkbox"/>	TA-28	AQ	JD2▲	9,157	575	A4	
4	<input checked="" type="checkbox"/>	TA-28 Plus	AQ	JD2▲	9,697	575	A4	
4	<input checked="" type="checkbox"/>	TA-29	AQ	JD2▲	10,052	575	A4	
4	<input checked="" type="checkbox"/>	TA-45	AQ	JD2▲	9,735	598	A4	
4	<input checked="" type="checkbox"/>	TA-46	AQ	JD2▲	11,131	598	A4	
4	<input checked="" type="checkbox"/>	TA-48	AQ	JD2▲	12,342	437	A4	
4050	2	<input checked="" type="checkbox"/>	WL-27	AQ	JD2▲	7,994	460	A4
	2	<input checked="" type="checkbox"/>	WL-42	AQ-BV	JD2▲	9,225	598	A4
	2	<input checked="" type="checkbox"/>	WL-61		61JD2	10,837	460	A4
	2	<input checked="" type="checkbox"/>	TA-26	AQ	JD2▲	7,272	460	A4
	2	<input checked="" type="checkbox"/>	TA-26 Plus	AQ	JD2▲	7,712	460	A4
	2	<input checked="" type="checkbox"/>	TA-26-12	AQ	JD2▲	8,532	460	A4
	2	<input checked="" type="checkbox"/>	TA-28	AQ	JD2▲	9,157	575	A4
	2	<input checked="" type="checkbox"/>	TA-28 Plus	AQ	JD2▲	9,697	575	A4
	2	<input checked="" type="checkbox"/>	TA-29	AQ	JD2▲	10,052	575	A4
	2	<input checked="" type="checkbox"/>	TA-45	AQ	JD2▲	9,735	598	A4
	2	<input checked="" type="checkbox"/>	TA-46	AQ	JD2▲	11,131	598	A4
	2	<input checked="" type="checkbox"/>	TA-48	AQ	JD2▲	12,342	437	A4
	4	<input checked="" type="checkbox"/>	WL-64		64JD2	13,175		A4
	4	<input checked="" type="checkbox"/>	TA-26	AQ	JD2▲	7,272	460	A4
4								

TRACTOR	LOADER SELECTION	MOUNTING BRACKETS	HYD.				
MODEL	WD	FIT LOADER MODEL	FOOTNOTES	BRKT KIT	PACKAGE PRICE	REAR AXLE KIT	VALVE JOYSTICK PKG
<b>4500</b>	2	TA-160	MX	JD45	5,430		A4
	2	TA-170	MX	JD46	6,055		A4
	4	TA-160	MX	JD45	5,430		A4
	4	TA-170	MX	JD46	6,055		A4
<b>4510</b>	2	TA-160	MX	JD45	5,430		A4
	2	TA-170	MX	JD46	6,055		A4
	4	TA-160	MX	JD45	5,430		A4
	4	TA-170	MX	JD46	6,055		A4
<b>4520</b>	2	WL-42	AQ-BV-OL	JD2▲	9,225	598	A4
	2	WL-61		61JD2	10,837	460	A4
	2	WL-64		64JD2	12,430		A4
	2	TA-46	AQ-OL	JD2▲	11,131	598	A4
<b>4520 COMPACT</b>	4	TA-160	DH-MX-OM	JD45	5,430		INC
	4	TA-170	DH-MX-OM	JD46	6,055		INC
	4	TA-170	DW-MX-OM	JD96	6,055		INC
	4	TA-170	DW-MX-OM	JD96	6,055		INC
<b>4555</b>	2	WL-42A		JD18	9,642		A4
	2	TA-46		JD18	11,407		A4
	2	TA-48		JD18	12,618		A4
	2	TA-76		JD19	12,871		A4
<b>4560</b>	2	WL-42A		JD18	9,642		A4
	2	TA-46		JD18	11,407		A4
	2	TA-48		JD18	12,618		A4
	2	TA-76		JD19	12,871		A4
<b>4600</b>	2	TA-160	MX	JD45	5,430		A4
	2	TA-170	MX	JD46	6,055		A4
	4	TA-160	MX	JD45	5,430		A4
	4	TA-170	MX	JD46	6,055		A4
<b>4610</b>	2	TA-160	MX	JD45	5,430		A4
	2	TA-170	MX	JD46	6,055		A4
	4	TA-160	MX	JD45	5,430		A4
	4	TA-170	MX	JD46	6,055		A4
<b>4620</b>	2	WL-42	AQ-BV	JD2▲	9,225	598	A4
	2	WL-61		61JD2	10,837	460	A4
	2	WL-64		64JD2	12,430		A4
	2	TA-28 Plus		JD2	9,697		A4

TRACTOR	LOADER SELECTION	MOUNTING BRACKETS	HYD.				
MODEL	WD	FIT LOADER MODEL	FOOTNOTES	BRKT KIT	PACKAGE PRICE	REAR AXLE KIT	VALVE JOYSTICK PKG
<b>4630</b>	2	WL-42	BV-CI	42JD4	9,064		A4
	2	WL-61		61JD2	10,837	460	A4
	2	WL-64		64JD2	12,430		A4
	2	TA-28		JD20▲	9,065		A4
<b>4640</b>	2	WL-42	BV-CI	42JD4	9,064		A4
	2	WL-61		61JD2	10,837	460	A4
	2	WL-64		64JD2	12,430		A4
	2	TA-46		JD10	11,062		A4
<b>4650</b>	2	WL-64		JD18	12,430		A4
	2	TA-46	OC-NK	JD10	11,062		A4
	2	TA-48	OC	JD10	12,296		A4
	2	TA-76	OC	JD13	12,595		A4
<b>4710</b>	4	TA-160	MX	JD45	5,430		A4
	4	TA-170	MX	JD46	6,055		A4
	4	TA-160	MX	JD45	5,430		A4
	4	TA-170	MX	JD46	6,055		A4
<b>4720</b>	4	TA-160	DH-MX-OM	JD45	5,430		INC
	4	TA-170	DH-MX-OM	JD46	6,055		INC
	4	TA-160	DW-MX-OM	JD96	6,055		INC
	4	TA-170	DW-MX-OM	JD96	6,055		INC
<b>4755</b>	2	WL-42A		JD18	9,642		A4
	2	WL-64		JD18	12,430		A4
	2	TA-46		JD18	11,407		A4
	2	TA-48		JD18	12,618		A4
<b>4760</b>	2	TA-46		JD18	11,407		A4
	2	TA-48		JD18	12,618		A4
	2	TA-76		JD19	12,871		A4
	2	TA-77		JD19	13,541		A4

TRACTOR	LOADER SELECTION	MOUNTING BRACKETS	HYD.				
MODEL	WD	FIT LOADER MODEL	FOOTNOTES	BRKT KIT	PACKAGE PRICE	REAR AXLE KIT	VALVE JOYSTICK PKG
<b>4840</b>	2	WL-61		61JD2	10,837	460	A4
	2	WL-64		64JD3	12,430		A4
	2	TA-46	NK	JD10	11,062		A4
	2	TA-48		JD10	12,296		A4
<b>4850</b>	2	TA-46		JD10	11,062		A4
	2	TA-46	OD	JD18	11,407		A4
	2	TA-48	OD	JD18	12,618		A4
	2	TA-76	OC	JD13	12,595		A4
<b>4955</b>	2	TA-48		JD18	12,618		A4
	2	TA-76		JD19	12,871		A4
	2	TA-77		JD19	13,541		A4
	2	TA-76	AM-EJ	JD16	12,779		A4
<b>4960</b>	2	TA-48		JD18	12,618		A4
	2	TA-76		JD19	12,871		A4
	2	TA-77		JD19	13,541		A4
	2	TA-76	AM-EJ	JD16	12,779		A4
<b>5020</b>	2	WL-64		64JD1	13,175		A4
	2	TA-170	CI-OI	JD113	6,055		A4
	2	TA-175	CI-OI	JD113	6,395		A4
	2	TA-185	CI-OI	JD112	6,688		A4
<b>5045D</b>	2	TA-170	CI-OI	JD113	6,055		A4
	2	TA-175	CI-OI	JD113	6,395		A4
	2	TA-185	CI-OI	JD112	6,688		A4
	2	TA-26 Plus	CI-OI	JD111	7,459		A4
<b>5045E</b>	4	TA-25	AO-EN	JD24	5,690		A4
	4	TA-26	AO-EL-ED	JD24	6,950		A4
	4	TA-26 Plus	AO-EL-ED	JD24	7,390		A4
	4	TA-26-12	AO-EL-ED	JD24	8,210		A4
<b>5055D</b>	2	TA-170	CI-OI	JD113	6,055		A4
	2	TA-175	CI-OI	JD113	6,395		A4
	2	TA-185	CI-OI	JD112	6,688		A4
	2	TA-26 Plus	CI-OI	JD111	7,459		A4
<b>5055E</b>	4	TA-25	AO-EN	JD24	5,690		A4
	4	TA-26	AO-EL-ED	JD24	6,950		A4
	4	TA-26 Plus	AO-EL-ED	JD24	7,390		A4
	4	TA-26-12	AO-EL-ED	JD24	8,210		A4

TRACTOR	LOADER SELECTION	MOUNTING BRACKETS	HYD.				
MODEL	WD	FIT LOADER MODEL	FOOTNOTES	BRKT KIT	PACKAGE PRICE	REAR AXLE KIT	VALVE JOYSTICK PKG
<b>5065E</b>	2	TA-170	GR	JD39	6,055		INC
	2	TA-180	DH-GR	JD40	6,711		INC
	2	WL-21	DH	21JD12	6,945		A4
	2	TA-25	AO-EN	JD24	5,690		A4
<b>5065M</b>	2	MAX 440	OI	JD120	9,900		A4
	2	TA-26	DL	JD119	7,019		A4
	2	TA-26 Plus	DL	JD119	7,459		A4
	2	TA-26-12	DL	JD119	8,279		A4
<b>5075E</b>	2	TA-170	GR	JD39	6,055		INC
	2	TA-180	DH-GR	JD40	6,711		INC
	2	WL-21	DH	21JD12	6,945		A4
	2	TA-25	AO-EN	JD24	5,690		A4
<b>5075M</b>	2	MAX 440	OI	JD120	9,900		A4
	2	TA-26	DL	JD119	7,019		A4
	2	TA-26 Plus	DL	JD119	7,459		A4
	2	TA-26-12	DL	JD119	8,279		A4
<b>5083E</b>	4	MAX 420	EE-OI	JD117	8,900		A4
	4	TA-26	AO-CHEE-MENK	JD68	7,088		A4
	4	TA-26 Plus	AO-CHEE-ME	JD68	7,528		A4
	4	TA-26-12	AO-CHEE-ME	JD68	8,348		A4
<b>5085M</b>	2	MAX 440	OI	JD120	9,900		A4
	2	TA-26	DL	JD119	7,019		A4
	2	TA-26 Plus	DL	JD119	7,459		A4
	2	TA-26-12	DL	JD119	8,279		A4
<b>5093E</b>	4	MAX 420	EE-OI	JD117	8,900		A4
	4	TA-26	AO-CHEE-MENK	JD68	7,088		A4
	4	TA-26 Plus	AO-CHEE-ME	JD68	7,528		A4
	4	TA-26-12	AO-CHEE-ME	JD68	8,348		A4

TRACTOR	LOADER SELECTION	MOUNTING BRACKETS	HYD.				
MODEL	WD	FIT LOADER MODEL	FOOTNOTES	BRKT KIT	PACKAGE PRICE	REAR AXLE KIT	VALVE JOYSTICK PKG
<b>5095M</b>	2	MAX 440	OI	JD120	9,900		A4
	2	TA-26	DL	JD119	7,019		A4
	2	TA-26 Plus	DL	JD119	7,459		A4
	2	TA-26-12	DL	JD119	8,279		A4
<b>5100M</b>	2	MAX 440	OI	JD120	9,900		A4
	2	MAX 440	EL-OI	JD120	9,900		A4
	2	TA-26	AO-EE-OI	JD107	7,042		A4
	2	TA-26 Plus	AO-EE-OI	JD107	7,482		A4
<b>5101E</b>	4	MAX 420	EE-OI	JD117	8,900		A4
	4	TA-26	AO-CHEE-MENK	JD68	7,088		A4
	4	TA-26 Plus	AO-CHEE-ME	JD68	7,528		A4
	4	TA-26-12	AO-CHEE-ME	JD68	8,348		A4
<b>5103</b>	2	TA-170	DH-GR	JD39	6,055		INC
	2	TA-175	DH-GR	JD39	6,395		INC
	2	TA-180	DH-GR	JD40	6,711		INC
	2	WL-21	DH	21JD12	6,945		A4
<b>5105</b>	2	TA-160	DL	JD49	5,637		INC
	2	TA-170	EN	JD49	6,055		INC
	2	TA-175	EN	JD49	6,395		INC
	2	TA-180	EN	JD48	6,711		INC
<b>5105M</b>	2	MAX 440	OI	JD120	9,900		A4
	2	TA-26	DL	JD119	7,019		A4
	2	TA-26 Plus	DL	JD119	7,459		A4
	2	TA-26-12	DL	JD119	8,279		A4
<b>5115M</b>	2	MAX 440	OI	JD120	9,900		A4
	2	MAX 440	EL-OI	JD120	9,900		A4
	2	TA-26	AO-EE-OI	JD107	7,042		A4
	2	TA-26 Plus	AO-EE-OI	JD107	7,482		A4

TRACTOR	LOADER SELECTION	MOUNTING BRACKETS	HYD.				
MODEL	WD	FIT LOADER MODEL	FOOTNOTES	BRKT KIT	PACKAGE PRICE	REAR AXLE KIT	VALVE JOYSTICK PKG
<b>5200</b>	2	TA-170	GR	JD39	6,055		INC
	2	TA-175	GR	JD39	6,395		INC
	2	TA-180	DH-GR	JD40	6,711		INC
	2	WL-21	DH	21JD12	6,550		A4
<b>5203</b>	2	TA-170	DH-GR	JD39	6,055		INC
	2	TA-175	DH-GR	JD39	6,395		



TRACTOR	LOADER SELECTION	MOUNTING BRACKETS	HYD.						
MODEL	WD	FIT	LOADER MODEL	FOOTNOTES	BRKT	KIT	PACKAGE PRICE	REAR AXLE KIT	VALVE JOYSTICK PKG
5300	2		TA-170	GR	JD39		6,055		INC
	2		TA-175	GR	JD39		6,395		INC
	2		TA-180	DH-GR	JD40		6,711		INC
	2		WL-21	DH	21JD12		6,550		A4
	2		TA-25	ED	JD24		5,690		A4
	2		TA-26	ED	JD24		6,950		A4
	2		TA-26 Plus	ED	JD24		7,390		A4
	2		TA-26-12	ED	JD24		8,210		A4
	2		CC-330	GR	JD86		8,715		A4
	4		TA-25	AO-EN	JD24		5,690		A4
4		TA-26	AO-EL-ED	JD24		6,950		A4	
4		TA-26 Plus	AO-EL-ED	JD24		7,390		A4	
4		TA-26-12	AO-EL-ED	JD24		8,210		A4	
4		CC-330	GR	JD86		8,715		A4	
5303	2		TA-170	DH-GR	JD39		6,055		INC
	2		TA-175	DH-GR	JD39		6,395		INC
	2		TA-180	DH-GR	JD40		6,711		INC
	2		WL-21	DH	21JD12		6,550		A4
	2		TA-25	DH	JD54		5,759		A4
	2		TA-26	DH	JD54		6,950		A4
	2		TA-26 Plus	DH	JD54		7,390		A4
	2		TA-26-12	DH	JD54		8,210		A4
	2		CC-330	GR	JD83		8,715		A4
	4		TA-25	AO-DA-EM	JD24		5,690		A4
4		TA-26	AO-EL-ED	JD24		6,950		A4	
4		TA-26 Plus	AO-EL-ED	JD24		7,390		A4	
4		TA-26-12	AO-EL-ED	JD24		8,210		A4	
4		CC-330	GR	JD86		8,715		A4	
5310	2		TA-170	GR	JD39		6,055		INC
	2		TA-175	GR	JD39		6,395		INC
	2		TA-180	DH-GR	JD40		6,711		INC
	2		WL-21	DH	21JD12		6,550		A4
	2		TA-25	DA	JD24		5,690		A4
	2		TA-26	DA-ED	JD24		6,950		A4
	2		TA-26 Plus	DA-ED	JD24		7,390		A4
	2		TA-26-12	DA-ED	JD24		8,210		A4
	2		CC-330	GR	JD86		8,715		A4
	4		TA-25	AO-DA-EM	JD24		5,690		A4
4		TA-26	AO-EL-ED	JD24		6,950		A4	
4		TA-26 Plus	AO-EL-ED	JD24		7,390		A4	
4		TA-26-12	AO-EL-ED	JD24		8,210		A4	
4		CC-330	GR	JD86		8,715		A4	
5320	2		TA-170	GR	JD39		6,055		INC
	2		TA-175	GR	JD39		6,395		INC
	2		TA-180	DH-GR	JD40		6,711		INC
	2		WL-21	DH	21JD12		6,550		A4
	2		TA-25	AO	JD24		5,690		A4
	2		TA-26	ED	JD24		6,950		A4
	2		TA-26 Plus	ED	JD24		7,390		A4
	2		TA-26-12	ED	JD24		8,210		A4
	2		CC-330	GR	JD86		8,715		A4
	4		TA-25	AO-EN	JD24		5,690		A4
4		TA-26	AO-EL-ED	JD24		6,950		A4	
4		TA-26 Plus	AO-EL-ED	JD24		7,390		A4	
4		TA-26-12	AO-EL-ED	JD24		8,210		A4	
4		CC-330	GR	JD86		8,715		A4	
5325	4		TA-26	AO-EM-NK	JD79		6,950		A4
	4		TA-26 Plus	AO-EM	JD79		7,390		A4
	4		TA-26-12	AO-EM	JD79		8,210		A4
	4		CC-330	AO-EM	JD80		8,715		A4
	4		CC-340	EE	JD81		9,950		A4
5400	2		TA-170	GR	JD39		6,055		INC
	2		TA-175	GR	JD39		6,395		INC
	2		TA-180	DH-GR	JD40		6,711		INC
	2		WL-21	DH	21JD12		6,550		A4
	2		TA-25	ED	JD24		5,690		A4
	2		TA-26	ED	JD24		6,950		A4
	2		TA-26 Plus	ED	JD24		7,390		A4
	2		TA-26-12	ED	JD24		8,210		A4
	2		CC-330	GR	JD86		8,715		A4
	4		TA-25	AO-EN	JD24		5,690		A4
4		TA-26	AO-EL-ED	JD24		6,950		A4	
4		TA-26 Plus	AO-EL-ED	JD24		7,390		A4	
4		TA-26-12	AO-EL-ED	JD24		8,210		A4	
4		CC-330	GR	JD86		8,715		A4	

TRACTOR	LOADER SELECTION	MOUNTING BRACKETS	HYD.						
MODEL	WD	FIT	LOADER MODEL	FOOTNOTES	BRKT	KIT	PACKAGE PRICE	REAR AXLE KIT	VALVE JOYSTICK PKG
5403	2		TA-170	DH-GR	JD39		6,055		INC
	2		TA-180	DH-GR	JD40		6,711		INC
	2		WL-21	DH	21JD12		6,550		A4
	2		TA-25	DH	JD54		5,759		A4
	2		TA-26	DH	JD54		6,950		A4
	2		TA-26 Plus	DH	JD54		7,390		A4
	2		TA-26-12	DH	JD54		8,210		A4
	2		CC-330	GR	JD83		8,715		A4
	4		TA-180	AO-CH-DH-EM	JD43		6,665		INC
	4		TA-26	ED-NK	JD24		6,950		A4
4		TA-26 Plus	ED-NK	JD24		7,390		A4	
4		TA-26-12	ED-NK	JD24		8,210		A4	
4		CC-330	ED-NK	JD24		8,210		A4	
4		CC-330	GR	JD75		8,715		A4	
5410	2		TA-180	AO-CH-DH-EM	JD43		6,665		INC
	2		TA-26	ED-NK	JD24		6,950		A4
	2		TA-26 Plus	ED-NK	JD24		7,390		A4
	2		TA-26-12	ED-NK	JD24		8,210		A4
	2		CC-330	ED-NK	JD24		8,210		A4
	4		TA-180	AO-CH-DH-EM	JD43		6,665		INC
	4		TA-26	AO-EL-ED-NK	JD24		6,950		A4
	4		TA-26 Plus	AO-EL-ED-NK	JD24		7,390		A4
	4		TA-26-12	AO-EL-ED-NK	JD24		8,210		A4
	4		CC-330	AO-EL-ED-NK	JD24		8,210		A4
4		CC-330	EE	JD75		8,715		A4	
5425	4		MAX 420	EE-OI	JD117		8,900		A4
	4		TA-26	AO-CH-EE-ME-NK	JD68		7,088		A4
	4		TA-26 Plus	AO-CH-EE-ME-NK	JD68		7,528		A4
	4		TA-26-12	AO-CH-EE-ME-NK	JD68		8,348		A4
	4		TA-28	AO-CH-EE-ME	JD68		8,973		A4
	4		TA-28 Plus	AO-CH-EE-ME	JD68		9,536		A4
	4		TA-29	AO-CH-EE-ME	JD68		9,891		A4
	4		CC-330	EE	JD69		8,715		A4
	4		CC-340	EE	JD70		9,950		A4
	4		FM-540	AA-EE	JD90		10,900	INC	A4
5500	2		TA-180	AO-CH-DH-EM	JD43		6,665		INC
	2		TA-26	DW-ED-NK	JD24		6,950		A4
	2		TA-26 Plus	DW-ED-NK	JD24		7,390		A4
	2		TA-26-12	DW-ED-NK	JD24		8,210		A4
	2		CC-330	DW-ED-NK	JD24		8,210		A4
	4		TA-180	AO-CH-DH-EM	JD43		6,665		INC
	4		TA-26	AO-EL-ED-NK	JD24		6,950		A4
	4		TA-26 Plus	AO-EL-ED-NK	JD24		7,390		A4
	4		TA-26-12	AO-EL-ED-NK	JD24		8,210		A4
	4		CC-330	AO-EL-ED-NK	JD24		8,210		A4
4		TA-28	AA-AO-DH-EM	JD33		9,180	INC	A4	
4		TA-28 Plus	AA-AO-DH-EM	JD33		9,720	INC	A4	
4		TA-29	AA-AO-DH-EM	JD33		10,075	INC	A4	
4		TA-45	AA-AO-DH-EM	JD33		9,781	INC	A4	
4		CC-330	EE	JD75		8,715		A4	
5510	2		TA-180	AO-CH-DH-EM	JD43		6,665		INC
	2		TA-26	AP-CH-ED-NK	JD24		6,950		A4
	2		TA-26 Plus	AP-CH-ED-NK	JD24		7,390		A4
	2		TA-26-12	AP-CH-ED-NK	JD24		8,210		A4
	2		CC-330	AP-CH-ED-NK	JD24		8,210		A4
	4		TA-180	AO-CH-DH-EM	JD43		6,665		INC
	4		TA-26	AP-CH-ED-NK	JD24		6,950		A4
	4		TA-26 Plus	AP-CH-ED-NK	JD24		7,390		A4
	4		TA-26-12	AP-CH-ED-NK	JD24		8,210		A4
	4		CC-330	AP-CH-ED-NK	JD24		8,210		A4
4		TA-180	AO-CH-DH-EM	JD43		6,665		INC	
4		TA-26	AP-CH-ED-NK	JD24		6,950		A4	
4		TA-26 Plus	AP-CH-ED-NK	JD24		7,390		A4	
4		TA-26-12	AP-CH-ED-NK	JD24		8,210		A4	
4		CC-330	AP-CH-ED-NK	JD24		8,210		A4	

TRACTOR	LOADER SELECTION	MOUNTING BRACKETS	HYD.						
MODEL	WD	FIT	LOADER MODEL	FOOTNOTES	BRKT	KIT	PACKAGE PRICE	REAR AXLE KIT	VALVE JOYSTICK PKG
5520	2		TA-180	AO-CH-DH-EM	JD43		6,665		INC
	2		TA-26	AP-CH-ED-NK	JD24		6,950		A4
	2		TA-26 Plus	AP-CH-ED-NK	JD24		7,390		A4
	2		TA-26-12	AP-CH-ED-NK	JD24		8,210		A4
	2		TA-28	AO-DH	JD44		9,065		A4
	2		TA-28 Plus	AO-DH	JD44		9,582		A4
	2		TA-29	AO-DH	JD44		9,937		A4
	2		TA-45	AO-DH	JD44		9,666		A4
	2		CC-330	JD75		8,715		A4	
	4		TA-180	AO-CH-DH-EM	JD43		6,665		INC
4		TA-26	AP-CH-ED-NK	JD24		6,950		A4	

TRACTOR	LOADER SELECTION	MOUNTING BRACKETS	HYD.						
MODEL	WD	FIT	LOADER MODEL	FOOTNOTES	BRKT	KIT	PACKAGE PRICE	REAR AXLE KIT	VALVE JOYSTICK PKG.
<b>6210</b>	2	<input checked="" type="checkbox"/>	MAX 440	MR-OI	JD125		9,900		A4
	2		WL-21	MR	21JD13		6,642		C4
	2		WL-27	MR	27JD13		7,672		C4
	2		WL-42	MR	JD52		8,995		C4
	2		TA-26	MR-NK	JD28▲		7,157		C4
	2		TA-26 Plus	MR	JD28▲		7,597		C4
	2		TA-26-12	MR	JD28▲		8,417		C4
	2		TA-28	MR	JD28▲		9,065		C4
	2		TA-28 Plus	MR-MU	JD28▲		9,605		C4
	2		TA-29	MR-MU	JD28▲		9,960		C4
	2		TA-45	MR-MU	JD28▲		9,643		C4
	2	<input checked="" type="checkbox"/>	CC-340	MR	JD67		9,950		C4
	2		FM-540	MR-MT	JD91		10,900		C4
	2		FM-550	MR-MT	JD87		14,470		C4
	4	<input checked="" type="checkbox"/>	MAX 440	EI-MR-OI	JD125		9,900		A4
4		TA-26	AO-EL-MR-MT-NK-NV-NW	JD28▲		7,157		C4	
4		TA-26 Plus	AO-EL-MR-MT-NK-NV-NW	JD28▲		7,597		C4	
4		TA-26-12	AO-EL-MR-MT-NK-NV-NW	JD28▲		8,417		C4	
4		TA-28	AO-EL-MR-MT-NK-NV-NW	JD28▲		9,065		C4	
4		TA-28 Plus	AO-EL-MR-MT-NK-NV-NW	JD28▲		9,605		C4	
4		TA-29	AO-EL-MR-MT-NK-NV-NW	JD28▲		9,960		C4	
4		TA-45	AO-EL-MR-MT-NK-NV-NW	JD28▲		9,643		C4	
4	<input checked="" type="checkbox"/>	CC-340	EI-MR-MT	JD67		9,950		C4	
4		FM-540	EI-MR-MT	JD91		10,900		C4	
4		FM-550	EI-MR-MT	JD87		14,470		C4	
<b>6210R</b>	2		FM-550	MR-OI	JD65		14,470		A4
	2	<input checked="" type="checkbox"/>	FM-560	MR-OI	JD95		16,900		A4
	4		FM-550	ER-MR-OI	JD65		14,470		A4
	4	<input checked="" type="checkbox"/>	FM-560	ER-MR-OI	JD95		16,900		A4
<b>6215</b>	2		WL-21	MR	21JD13		6,642		C4
	2		WL-27	MR	27JD13		7,672		C4
	2		WL-42	MR	JD52		8,995		C4
	2		TA-26	MR	JD51		7,088		C4
	2		TA-26 Plus	MR	JD51		7,528		C4
	2		TA-26-12	MR	JD51		8,348		C4
	2		TA-28	MR	JD51		8,950		C4
	2		TA-28 Plus	MR	JD51		9,490		C4
	2		TA-29	MR	JD51		9,983		C4
	2		TA-45	MR	JD51		9,620		C4
	2	<input checked="" type="checkbox"/>	CC-340	MR-OI	JD59		9,950		C4
	2		FM-550	MR	JD87		14,470		C4
	4		TA-26	AO-EL-MR-MT-NK-NV-NW	JD51		7,088		C4
	4		TA-26 Plus	AO-EL-MR-MT-NK-NV-NW	JD51		7,528		C4
	4		TA-26-12	AO-EL-MR-MT-NK-NV-NW	JD51		8,348		C4
4		TA-28	AO-EL-MR-MT-NK-NV-NW	JD51		8,950		C4	
4		TA-28 Plus	AO-EL-MR-MT-NK-NV-NW	JD51		9,490		C4	
4		TA-29	AO-EL-MR-MT-NK-NV-NW	JD51		9,845		C4	
4	<input checked="" type="checkbox"/>	CC-340	EI-MR-MT-OI	JD59		9,950		C4	
4		FM-550	EI-MR-MT	JD87		14,470		C4	
<b>6220</b>	2	<input checked="" type="checkbox"/>	MAX 440	MR-OI	JD125		9,900		A4
	2		WL-21	MR	21JD13		6,642		C4
	2		WL-27	MR	27JD13		7,672		C4
	2		WL-42	MR	JD52		8,995		C4
	2		TA-26	MR-NW	JD51		7,088		C4
	2		TA-26 Plus	MR-NW	JD51		7,528		C4
	2		TA-26-12	MR-NW	JD51		8,348		C4
	2		TA-28	MR	JD51		8,950		C4
	2	<input checked="" type="checkbox"/>	TA-28 Plus	MR	JD51		9,490		C4
	2		TA-29	MR	JD51		9,983		C4
	2		TA-45	MR	JD51		9,620		C4
	2	<input checked="" type="checkbox"/>	CC-340	MR-OI	JD59		9,950		C4
	2		FM-540	MR	JD91		10,900		C4
	2		FM-550	MR	JD87		14,470		C4
	4	<input checked="" type="checkbox"/>	MAX 440	EI-MR-OI	JD125		9,900		A4
4		TA-26	AO-EL-MR-MT-NK-NV-NW	JD51		7,088		C4	
4		TA-26 Plus	AO-EL-MR-MT-NK-NV-NW	JD51		7,528		C4	
4		TA-26-12	AO-EL-MR-MT-NK-NV-NW	JD51		8,348		C4	
4	<input checked="" type="checkbox"/>	TA-28	AO-EL-MR-MT-NK-NV-NW	JD51		8,950		C4	
4	<input checked="" type="checkbox"/>	TA-28 Plus	AO-EL-MR-MT-NK-NV-NW	JD51		9,490		C4	
4		TA-29	AO-EL-MR-MT-NK-NV-NW	JD51		9,845		C4	
4	<input checked="" type="checkbox"/>	CC-340	EI-MR-MT	JD67		9,950		C4	
4		FM-540	EI-MR-MT	JD91		10,900		C4	
4		FM-550	EI-MR-MT	JD87		14,470		C4	

TRACTOR	LOADER SELECTION	MOUNTING BRACKETS	HYD.						
MODEL	WD	FIT	LOADER MODEL	FOOTNOTES	BRKT	KIT	PACKAGE PRICE	REAR AXLE KIT	VALVE JOYSTICK PKG.
<b>6230</b>	2	<input checked="" type="checkbox"/>	MAX 440	MR-OI	JD125		9,900		A4
	2		WL-21	MR	21JD13		6,642		C4
	2		WL-27	MR	27JD13		7,672		C4
	2		WL-42	MR	JD52		8,995		C4
	2		TA-26	MR	JD51		7,088		C4
	2		TA-26 Plus	MR	JD51		7,528		C4
	2		TA-28	MR	JD51		8,950		C4
	2		TA-28 Plus	MR	JD51		9,490		C4
	2		TA-29	MR	JD51		9,983		C4
	2		TA-45	MR-MU	JD28▲		9,643		C4
	2		TA-45	MR	JD51		9,620		C4
	2	<input checked="" type="checkbox"/>	CC-340	EI-MR-MT	JD59		9,950		C4
	2		FM-540	MR	JD91		10,900		C4
	2		FM-550	EI-MR-MT	JD87		14,470		C4
	4	<input checked="" type="checkbox"/>	MAX 440	EI-MR-OI	JD125		9,900		A4
4		TA-26	AO-EL-MR-MT-NK-NV-NW	JD51		7,088		C4	
4		TA-26 Plus	AO-EL-MR-MT-NK-NV-NW	JD51		7,528		C4	
4		TA-26-12	AO-EL-MR-MT-NK-NV-NW	JD51		8,348		C4	
4		TA-28	AO-EL-MR-MT-NK-NV-NW	JD51		8,950		C4	
4		TA-28 Plus	AO-EL-MR-MT-NK-NV-NW	JD51		9,490		C4	
4		TA-29	AO-EL-MR-MT-NK-NV-NW	JD51		9,845		C4	
4	<input checked="" type="checkbox"/>	CC-340	EI-MR-MT	JD59		9,950		C4	
4		FM-540	EI-MR-MT	JD91		10,900		C4	
4		FM-550	EI-MR-MT	JD87		14,470		C4	
<b>6300</b>	2	<input checked="" type="checkbox"/>	MAX 440	MR-OI	JD125		9,900		A4
	2		WL-21	MR	21JD13		6,642		C4
	2		WL-27	MR	27JD13		7,672		C4
	2		WL-42	MR	JD52		8,995		C4
	2		TA-26	MR-MU-NK	JD28▲		7,157		C4
	2		TA-26 Plus	MR-MU	JD28▲		7,597		C4
	2		TA-26-12	MR-MU	JD28▲		8,417		C4
	2		TA-28	MR	JD28▲		9,065		C4
	2		TA-28 Plus	MR-MU	JD28▲		9,605		C4
	2		TA-29	MR-MU	JD28▲		9,960		C4
	2		TA-45	MR-MU	JD28▲		9,643		C4
	2	<input checked="" type="checkbox"/>	CC-340	MR	JD67		9,950		C4
	2		FM-540	MR-MT	JD91		10,900		C4
	2		FM-550	MR-MT	JD87		14,470		C4
	4	<input checked="" type="checkbox"/>	MAX 440	EI-MR-OI	JD125		9,900		A4
4		TA-26	AO-EL-MR-MT-NK-NV-NW	JD28▲		7,157		C4	
4		TA-26 Plus	AO-EL-MR-MT-NK-NV-NW	JD28▲		7,597		C4	
4		TA-26-12	AO-EL-MR-MT-NK-NV-NW	JD28▲		8,417		C4	
4		TA-28	AO-EL-MR-MT-NK-NV-NW	JD28▲		9,065		C4	
4		TA-28 Plus	AO-EL-MR-MT-NK-NV-NW	JD28▲		9,605		C4	
4		TA-29	AO-EL-MR-MT-NK-NV-NW	JD28▲		9,960		C4	
4		TA-45	AO-EL-MR-MT-MU	JD28▲		9,643		C4	
4	<input checked="" type="checkbox"/>	CC-340	EI-MR-MT	JD67		9,950		C4	
4		FM-540	EI-MR-MT	JD91		10,900		C4	
4		FM-550	EI-MR-MT	JD87		14,470		C4	
<b>6310</b>	2	<input checked="" type="checkbox"/>	MAX 440	MR-OI	JD125		9,900		A4
	2		WL-21	MR	21JD13		6,642		C4
	2		WL-27	MR	27JD13		7,672		C4
	2		WL-42	MR	JD52		8,995		C4
	2		TA-26	MR-NK	JD28▲		7,157		C4
	2		TA-26 Plus	MR	JD28▲		7,597		C4
	2		TA-26-12	MR	JD28▲		8,417		C4
	2		TA-28	MR	JD28▲		9,065		C4
	2		TA-28 Plus	MR-MU	JD28▲		9,605		C4
	2		TA-29	MR-MU	JD28▲		9,960		C4
	2		TA-45	MR-MU	JD28▲		9,643		C4
	2	<input checked="" type="checkbox"/>	CC-340	MR	JD67		9,950		C4
	2		FM-540	MR-MT	JD91		10,900		C4
	2		FM-550	MR-MT	JD87		14,470		C4
	4	<input checked="" type="checkbox"/>	MAX 440	EI-MR-OI	JD125		9,900		A4
4		TA-26	AO-EL-MR-MT-NK-NV-NW	JD28▲		7,157		C4	
4		TA-26 Plus	AO-EL-MR-MT-NK-NV-NW	JD28▲		7,597		C4	
4		TA-26-12	AO-EL-MR-MT-NK-NV-NW	JD28▲		8,417		C4	
4		TA-28	AO-EL-MR-MT-NK-NV-NW	JD28▲		9,065		C4	
4		TA-28 Plus	AO-EL-MR-MT-NK-NV-NW	JD28▲		9,605		C4	
4		TA-29	AO-EL-MR-MT-NK-NV-NW	JD28▲		9,960		C4	
4		TA-45	AO-EL-MR-MT-MU	JD28▲		9,643		C4	
4	<input checked="" type="checkbox"/>	CC-340	EI-MR-MT	JD67		9,950		C4	
4		FM-540	EI-MR-MT	JD91		10,900		C4	
4		FM-550	EI-MR-MT	JD87		14,470		C4	

TRACTOR	LOADER SELECTION	MOUNTING BRACKETS</
---------	------------------	---------------------





TRACTOR	LOADER SELECTION		MOUNTING BRACKETS		HYD.			
MODEL	WD	FIT	LOADER MODEL	FOOTNOTES	BRKT KIT	PACKAGE PRICE	REAR AXLE KIT	VALVE JOYSTICK PKG.
<b>7800</b>	2		WL-42	CL-MR	42JD7	8,995		C4
	2		TA-28	CL-MR	JD25	9,019		C4
	2		TA-28 Plus	CL-MR	JD25	9,559		C4
	2		TA-29	CL-MR	JD25	9,914		C4
	2		TA-45	CL-MR	JD25	9,620		C4
	2		TA-46	AO-CL-EK-MR-MT	JD26	11,016		C4
	2		TA-48	AO-CL-EK-MR-MT	JD26	12,250		C4
	2		XTA-400	CL-MR	400JD2	11,820		C4
	2		TA-46	CL-MR	JD25	11,039		C4
	2		FM-570	MR	JD78	17,475		C4
	4		TA-46	AO-CL-EK-MR-MT	JD26	11,016		C4
	4		TA-48	AO-CL-EK-MR-MT	JD26	12,250		C4
	4		TA-76	AO-CL-EK-MR	JD32	12,595		C4
	4		TA-77	AO-CL-EK-MR	JD32	13,265		C4
	4		XTA-400	CL-MR	400JD2	11,820		C4
	4		CC-360	CL-EK-MR	JD71	11,995		C4
	4		FM-570	MR	JD78	17,475		C4
<b>7810</b>	2		WL-42	CL-MR	42JD7	8,995		C4
	2		TA-28	CL-MR	JD25	9,019		C4
	2		TA-28 Plus	CL-MR	JD25	9,559		C4
	2		TA-29	CL-MR	JD25	9,914		C4
	2		TA-45	CL-MR	JD25	9,620		C4
	2		TA-46	CL-MR	JD25	10,970		C4
	2		TA-46	CL-MR	JD25	11,039		C4
	2		FM-570	MR-NV	JD78	17,475		C4
	4		TA-46	AO-CL-EK-MR-MT-NV	JD26	11,016		C4
	4		TA-48	AO-CL-EK-MR-MT-NV	JD26	12,250		C4
	4		TA-76	AO-CL-EK-MT-NV	JD32	12,595		C4
	4		TA-77	AO-CL-EK-MT-NV	JD32	13,265		C4
	4		XTA-400	CL-EK-MR-MT	JD98	12,027		C4
	4		XTA-400	CL-EK-MR-NV	400JD2	11,820		C4
	4		CC-360	CL-EK-MR-NV	JD71	11,995		C4
	4		FM-570	MR-NV	JD78	17,475		C4
<b>7820</b>	2		FM-580	MR	JD92	16,900		C4
	4		XTA-700D	EJ-MR	JD73	13,495		C4
	4		FM-580	EO-MR	JD92	16,900		C4
	4		FM-570	EO-MR	JD72	17,475		C4
<b>7830</b>	2		FM-580	MR	JD92	16,900		C4
	4		XTA-700D	EJ-MR	JD73	13,495		C4
	4		FM-580	EO-MR	JD92	16,900		C4
	4		FM-570	EO-MR	JD72	17,475		C4
<b>7920</b>	4		XTA-700D	EJ-MR	JD73	13,495		C4
	4		FM-580	EO-MR	JD92	16,900		C4
	4		FM-570	EO-MR	JD72	17,475		C4
<b>7930</b>	4		XTA-700D	EJ-MR	JD73	13,495		C4
	4		FM-580	EO-MR	JD92	16,900		C4
	4		FM-570	EO-MR	JD72	17,475		C4
<b>8100</b>	2		XTA-700A	MR	700JD3	13,840		C4
	2		FM-570	MR	JD64	17,475		C4
	4		XTA-700A	MR	700JD3	13,840		C4
	4		FM-570	EV-MR	JD64	17,475		C4
<b>8110</b>	2		XTA-700A	MR	700JD3	13,840		C4
	2		FM-570	MR	JD64	17,475		C4
	4		XTA-700A	MR	700JD3	13,840		C4
	4		FM-570	EV-MR	JD64	17,475		C4
<b>8120</b>	2		FM-570	MR	JD64	17,475		C4
	4		FM-570	EV-MR	JD64	17,475		C4
<b>8130</b>	2		FM-570	BA-MR-OI	JD74	17,475		C4
	2		FM-570	BB-MR-OI	JD101	17,475		C4
	2		FM-580	BA-MR-OI	JD93	21,850		C4
	2		FM-580	BB-MR-OI	JD97	21,850		C4
	4		FM-570	BA-MR-OI	JD74	17,475		C4
	4		FM-570	BB-MR-OI	JD101	17,475		C4
	4		FM-580	BA-MR-OI	JD93	21,850		C4
	4		FM-580	BB-MR-OI	JD97	21,850		C4
<b>8200</b>	2		XTA-700A	MR	700JD3	13,840		C4
	2		FM-570	MR	JD64	17,475		C4
	4		XTA-700A	MR	700JD3	13,840		C4
	4		FM-570	EV-MR	JD64	17,475		C4

TRACTOR	LOADER SELECTION		MOUNTING BRACKETS		HYD.			
MODEL	WD	FIT	LOADER MODEL	FOOTNOTES	BRKT KIT	PACKAGE PRICE	REAR AXLE KIT	VALVE JOYSTICK PKG.
<b>8210</b>	2		XTA-700A	MR	700JD3	13,840		C4
	2		FM-570	MR	JD64	17,475		C4
	4		XTA-700A	MR	700JD3	13,840		C4
	4		FM-570	EV-MR	JD64	17,475		C4
<b>8220</b>	2		FM-570	MR	JD64	17,475		C4
	4		FM-570	EV-MR	JD64	17,475		C4
<b>8225R</b>	2		FM-570	BA-MR-OI	JD74	17,475		C4
	2		FM-570	BB-MR-OI	JD101	17,475		C4
	2		FM-580	BA-MR-OI	JD93	21,850		C4
	2		FM-580	BB-MR-OI	JD97	21,850		C4
	4		FM-570	BA-MR-OI	JD74	17,475		C4
	4		FM-570	BB-MR-OI	JD101	17,475		C4
	4		FM-580	BA-MR-OI	JD93	21,850		C4
	4		FM-580	BB-MR-OI	JD97	21,850		C4
<b>8230</b>	4		FM-570	BA-MR-OI	JD74	17,475		C4
	4		FM-570	BB-MR-OI	JD101	17,475		C4
	4		FM-580	BA-MR-OI	JD93	21,850		C4
	4		FM-580	BB-MR-OI	JD97	21,850		C4
<b>8235R</b>	2		FM-570	BA-MR-OI	JD74	17,475		C4
	2		FM-570	BB-MR-OI	JD101	17,475		C4
	2		FM-580	BA-MR-OI	JD93	21,850		C4
	2		FM-580	BB-MR-OI	JD97	21,850		C4
	4		FM-570	BA-MR-OI	JD74	17,475		C4
	4		FM-570	BB-MR-OI	JD101	17,475		C4
	4		FM-580	BA-MR-OI	JD93	21,850		C4
	4		FM-580	BB-MR-OI	JD97	21,850		C4
<b>8245R</b>	4		FM-570	BA-MR-OI	JD74	17,475		C4
	4		FM-570	BB-MR-OI	JD101	17,475		C4
	4		FM-580	BA-MR-OI	JD93	21,850		C4
	4		FM-580	BB-MR-OI	JD97	21,850		C4
<b>8260R</b>	4		FM-570	BA-MR-OI	JD74	17,475		C4
	4		FM-570	BB-MR-OI	JD101	17,475		C4
	4		FM-580	BA-MR-OI	JD93	21,850		C4
	4		FM-580	BB-MR-OI	JD97	21,850		C4
<b>8270R</b>	4		FM-570	BA-MR-OI	JD74	17,475		C4
	4		FM-570	BB-MR-OI	JD101	17,475		C4
	4		FM-580	BA-MR-OI	JD93	21,850		C4
	4		FM-580	BB-MR-OI	JD97	21,850		C4
<b>8285R</b>	4		FM-570	BA-MR-OI	JD74	17,475		C4
	4		FM-570	BB-MR-OI	JD101	17,475		C4
	4		FM-580	BA-MR-OI	JD93	21,850		C4
	4		FM-580	BB-MR-OI	JD97	21,850		C4
<b>8295R</b>	4		FM-570	BA-MR-OI	JD74	17,475		C4
	4		FM-570	BB-MR-OI	JD101	17,475		C4
	4		FM-580	BA-MR-OI	JD93	21,850		C4
	4		FM-580	BB-MR-OI	JD97	21,850		C4
<b>8300</b>	2		XTA-700A	MR	700JD3	13,840		C4
	2		FM-570	MR	JD64	17,475		C4
	4		XTA-700A	MR	700JD3	13,840		C4
	4		FM-570	EV-MR	JD64	17,475		C4
<b>8310</b>	2		XTA-700A	MR	700JD3	13,840		C4
	2		FM-570	MR	JD64	17,475		C4
	4		XTA-700A	MR	700JD3	13,840		C4
	4		FM-570	EV-MR	JD64	17,475		C4
<b>8310R</b>	4		FM-570	BA-MR-OI	JD74	17,475		C4
	4		FM-570	BB-MR-OI	JD101	17,475		C4
	4		FM-580	BA-MR-OI	JD93	21,850		C4
	4		FM-580	BB-MR-OI	JD97	21,850		C4
<b>8320</b>	4		FM-570	EV-MR	JD64	17,475		C4
<b>8320R</b>	4		FM-570	BA-MR-OI	JD74	17,475		C4
	4		FM-570	BB-MR-OI	JD101	17,475		C4
	4		FM-580	BA-MR-OI	JD93	21,850		C4
	4		FM-580	BB-MR-OI	JD97	21,850		C4

TRACTOR	LOADER SELECTION		MOUNTING BRACKETS		HYD.			
MODEL	WD	FIT	LOADER MODEL	FOOTNOTES	BRKT KIT	PACKAGE PRICE	REAR AXLE KIT	VALVE JOYSTICK PKG.
<b>8330</b>	4		FM-570	BA-MR-OI	JD74	17,475		C4
	4		FM-570	BB-MR-OI	JD101	17,475		C4
	4		FM-580	BA-MR-OI	JD93	21,850		C4
	4		FM-580	BB-MR-OI	JD97	21,850		C4
<b>8335R</b>	4		FM-570	BA-MR-OI	JD74	17,475		C4
	4		FM-570	BB-MR-OI	JD101	17,475		C4
	4		FM-580	BA-MR-OI	JD93	21,850		C4
	4		FM-580	BB-MR-OI	JD97	21,850		C4
<b>8345R</b>	4		FM-570	BA-MR-OI	JD74	17,475		C4
	4		FM-570	BB-MR-OI	JD101	17,475		C4
	4		FM-580	BA-MR-OI	JD93	21,850		C4
	4		FM-580	BB-MR-OI	JD97	21,850		C4
<b>8360R</b>	4		FM-570	BA-MR-OI	JD74	17,475		C4
	4		FM-570	BB-MR-OI	JD101	17,475		C4
	4		FM-5					



TRACTOR	LOADER SELECTION	MOUNTING BRACKETS	HYD.					
MODEL	WD	FIT	LOADER MODEL	FOOTNOTES	BRKT KIT	PACKAGE PRICE	REAR AXLE KIT	VALVE JOYSTICK PKG
<b>L275 W/ FRONT PUMP</b>								
4	2	☑	TA-111	AA-CH	111KU4	5,094		INC
<b>L275DT W/ FRONT PUMP</b>								
4	2	☑	TA-111	CH	111KU4	5,094		INC
<b>L275 W/O FRONT PUMP</b>								
2	2	☑	TA-111	CH-BU	111KU1	5,071		INC
4	2	☑	TA-111	CH-BU	111KU1	5,071		INC
<b>L275DT W/O FRONT PUMP</b>								
4	2	☑	TA-111	CH-BU	111KU1	5,071		INC
<b>L275F W/O FRONT PUMP</b>								
2	2	☑	TA-111	CH-BU	111KU1	5,071		INC
<b>L295</b>								
4	2	☑	TA-111	AA-CH	111KU6	5,278		INC
<b>L295DT</b>								
4	2	☑	TA-111	AA-CH	111KU6	5,278		INC
<b>L295F</b>								
4	2	☑	TA-111	AA-CH	111KU6	5,278		INC
<b>L305</b>								
2	2	☑	TA-111		111KU10	5,232		INC
4	2	☑	TA-111	AA-CH-DL	111KU2	5,209		INC
4	4	☑	TA-170	AA-CH	KU41	6,285		INC
4	4	☑	TA-175	AA-CH	KU41	6,625		INC
<b>L305DT</b>								
4	4	☑	TA-111	AA-CH-DL	111KU2	5,209		INC
4	4	☑	TA-170	AA-CH	KU41	6,285		INC
4	4	☑	TA-175	AA-CH	KU41	6,625		INC
<b>L305F</b>								
2	2	☑	TA-111		111KU10	5,232		INC
<b>L345</b>								
2	2	☑	TA-111	CH-DL	111KU8	5,117		INC
4	2	☑	TA-111	AA-CH-DL	111KU2	5,209		INC
4	4	☑	TA-170	AA-CH	KU41	6,285		INC
4	4	☑	TA-175	AA-CH	KU41	6,625		INC
<b>L345DT</b>								
4	4	☑	TA-111	AA-CH-DL	111KU2	5,209		INC
4	4	☑	TA-170	AA-CH	KU41	6,285		INC
4	4	☑	TA-175	AA-CH	KU41	6,625		INC
<b>L345F</b>								
2	2	☑	TA-111	CH-DL	111KU8	5,117		INC
<b>L355DT</b>								
4	4	☑	TA-111	AA-CH-DL	111KU2	5,209		INC
4	4	☑	TA-170	AA-CH	KU41	6,285		INC
4	4	☑	TA-175	AA-CH	KU41	6,625		INC
<b>L355SS</b>								
4	4	☑	TA-111	AA-CH-DL	111KU2	5,209		INC
4	4	☑	TA-170	AA-CH	KU41	6,285		INC
4	4	☑	TA-175	AA-CH	KU41	6,625		INC
<b>L2050</b>								
2	2	☑	TA-111	AA-CH	111KU7	5,278		INC
4	2	☑	TA-160	AA-CH	KU26	5,637		INC
4	4	☑	TA-111	AA-CH	111KU7	5,278		INC
4	4	☑	TA-160	AA-CH	KU26	5,637		INC
<b>L2050DT</b>								
4	4	☑	TA-111	AA-CH	111KU7	5,278		INC
4	4	☑	TA-160	AA-CH	KU26	5,637		INC
<b>L2050F</b>								
2	2	☑	TA-111	AA-CH	111KU7	5,278		INC
2	2	☑	TA-160	AA-CH	KU26	5,637		INC
<b>L2201</b>								
2	2	☑	TA-55	AA-CH-MS	KU24	4,724		INC
2	2	☑	TA-111	AA-CH-MS	KU24	5,232		INC
4	4	☑	TA-55	AA-CH-MS	KU24	4,724		INC
4	4	☑	TA-111	AA-CH-MS	KU24	5,232		INC
<b>L2201DT</b>								
4	4	☑	TA-55	AA-CH-MS	KU24	4,724		INC
4	4	☑	TA-111	AA-CH-MS	KU24	5,232		INC
<b>L2201F</b>								
2	2	☑	TA-55	AA-CH-MS	KU24	4,724		INC
2	2	☑	TA-111	AA-CH-MS	KU24	5,232		INC
<b>L2250</b>								
4	4	☑	TA-111A	AA-EZ-DIMS-NP-OH	111KU5	5,186		INC
<b>L2250DT</b>								
4	4	☑	TA-111A	AA-EZ-DIMS-NP-OH	111KU5	5,186		INC
<b>L2250GST</b>								
4	4	☑	TA-111A	AA-EZ-DIMS-NP-OH	111KU5	5,186		INC

TRACTOR	LOADER SELECTION	MOUNTING BRACKETS	HYD.					
MODEL	WD	FIT	LOADER MODEL	FOOTNOTES	BRKT KIT	PACKAGE PRICE	REAR AXLE KIT	VALVE JOYSTICK PKG
<b>L2350</b>								
2	2	☑	TA-111	AA-CH	111KU7	5,278		INC
2	2	☑	TA-160	AA-CH	KU26	5,637		INC
4	4	☑	TA-111	AA-CH	111KU7	5,278		INC
4	4	☑	TA-160	AA-CH	KU26	5,637		INC
<b>L2500</b>								
2	2	☑	TA-111	AA-CH	111KU7	5,278		INC
2	2	☑	TA-160	AA-CH	KU26	5,637		INC
4	4	☑	TA-111	AA-CH	111KU7	5,278		INC
4	4	☑	TA-160	AA-CH	KU26	5,637		INC
<b>L2500DT</b>								
4	4	☑	TA-111	AA-CH	111KU7	5,278		INC
4	4	☑	TA-160	AA-CH	KU26	5,637		INC
<b>L2500F</b>								
2	2	☑	TA-111	AA-CH	111KU7	5,278		INC
2	2	☑	TA-160	AA-CH	KU26	5,637		INC
<b>L2550</b>								
4	4	☑	TA-111A	AA-EZ-DIMS-NP-OH	111KU5	5,186		INC
<b>L2550DT</b>								
4	4	☑	TA-111A	AA-EZ-DIMS-NP-OH	111KU5	5,186		INC
<b>L2550F</b>								
2	2	☑	TA-111A	AA-EZ-DIMS-NP-OH	111KU5	5,186		INC
<b>L2600</b>								
2	2	☑	TA-111	AA-CH	111KU7	5,278		INC
2	2	☑	TA-160	AA-CH	KU26	5,637		INC
4	4	☑	TA-111	AA-CH	111KU7	5,278		INC
4	4	☑	TA-160	AA-CH	KU26	5,637		INC
<b>L2600DT</b>								
4	4	☑	TA-111	AA-CH	111KU7	5,278		INC
4	4	☑	TA-160	AA-CH	KU26	5,637		INC
<b>L2600F</b>								
2	2	☑	TA-111	AA-CH	111KU7	5,278		INC
2	2	☑	TA-160	AA-CH	KU26	5,637		INC
<b>L2650</b>								
4	4	☑	TA-111A	AA-EZ-DIMS-NP-OH	111KU5	5,186		INC
<b>L2650F</b>								
2	2	☑	TA-111A	AA-EZ-DIMS-NP-OH	111KU5	5,186		INC
<b>L2650DT</b>								
4	4	☑	TA-111A	AA-EZ-DIMS-NP-OH	111KU5	5,186		INC
<b>L2800</b>								
2	2	☑	TA-111A	AA-DH-DIMS-NU-OH	KU42	5,232		INC
2	2	☑	TA-160	AA-DH-DIMS-NU-OH	KU43	5,660		INC
2	2	☑	TA-170	AA-DH-DIMS-NU-OH	KU44	6,055		INC
2	2	☑	TA-175	AA-DH-DIMS-NU-OH	KU45	6,395		INC
2	2	☑	TA-25	AA-DH-DIMS-NU-OH	KU45	6,058		INC
4	4	☑	TA-111A	AA-DH-DIMS-NU-OH	KU42	5,232		INC
4	4	☑	TA-160	AA-DH-DIMS-NU-OH	KU43	5,660		INC
4	4	☑	TA-170	AA-DH-DIMS-NU-OH	KU44	6,055		INC
4	4	☑	TA-175	AA-DH-DIMS-NU-OH	KU45	6,395		INC
4	4	☑	TA-25	AA-DH-DIMS-NU-OH	KU45	6,058		INC
<b>L2800DT</b>								
4	4	☑	TA-111A	AA-DH-DIMS-NU-OH	KU42	5,232		INC
4	4	☑	TA-160	AA-DH-DIMS-NU-OH	KU43	5,660		INC
4	4	☑	TA-170	AA-DH-DIMS-NU-OH	KU44	6,055		INC
4	4	☑	TA-175	AA-DH-DIMS-NU-OH	KU45	6,395		INC
4	4	☑	TA-25	AA-DH-DIMS-NU-OH	KU45	6,058		INC
<b>L2800F</b>								
2	2	☑	TA-111A	AA-DH-DIMS-NU-OH	KU42	5,232		INC
2	2	☑	TA-160	AA-DH-DIMS-NU-OH	KU43	5,660		INC
2	2	☑	TA-170	AA-DH-DIMS-NU-OH	KU44	6,055		INC
2	2	☑	TA-175	AA-DH-DIMS-NU-OH	KU45	6,395		INC
2	2	☑	TA-25	AA-DH-DIMS-NU-OH	KU45	6,058		INC
<b>L2800GST</b>								
4	4	☑	TA-111A	AA-DH-DIMS-NU-OH	KU42	5,232		INC
4	4	☑	TA-160	AA-DH-DIMS-NU-OH	KU43	5,660		INC
4	4	☑	TA-170	AA-DH-DIMS-NU-OH	KU44	6,055		INC
4	4	☑	TA-175	AA-DH-DIMS-NU-OH	KU45	6,395		INC
4	4	☑	TA-25	AA-DH-DIMS-NU-OH	KU45	6,058		INC
<b>L2800HST</b>								
4	4	☑	TA-111A	AA-DH-DIMS-NU-OH	KU42	5,232		INC
4	4	☑	TA-160	AA-DH-DIMS-NU-OH	KU43	5,660		INC
4	4	☑	TA-170	AA-DH-DIMS-NU-OH	KU44	6,055		INC
4	4	☑	TA-175	AA-DH-DIMS-NU-OH	KU45	6,395		INC
4	4	☑	TA-25	AA-DH-DIMS-NU-OH	KU45	6,058		INC
<b>L2850</b>								
4	4	☑	TA-111A	AA	KU30	5,163		INC
<b>L2850DT</b>								
4	4	☑	TA-111A	AA	KU30	5,163		INC
<b>L2850F</b>								
2	2	☑	TA-111A	AA	KU30	5,163		INC
<b>L2850GST</b>								
4	4	☑	TA-111A	AA	KU30	5,163		INC

TRACTOR	LOADER SELECTION	MOUNTING BRACKETS	HYD.					
MODEL	WD	FIT	LOADER MODEL	FOOTNOTES	BRKT KIT	PACKAGE PRICE	REAR AXLE KIT	VALVE JOYSTICK PKG
<b>L2900</b>								
4	4	☑	TA-111A	EX	111KU11	5,163		INC
4	4	☑	TA-160	AA-DH-EX	KU29	5,637		INC
4	4	☑	TA-170	AA-DH-EX	KU36	6,055		INC
4	4	☑	TA-175	AA-DH-EX	KU36	6,395		INC
4	4	☑	TA-25	AA-DH	KU16	5,759		INC
<b>L2900DT</b>								
4	4	☑	TA-111A	EX	111KU11	5,163		INC
4	4	☑	TA-160	AA-DH-EX	KU29	5,637		INC
4	4	☑	TA-170	AA-DH-EX	KU36	6,055		INC
4	4	☑	TA-175	AA-DH-EX	KU36	6,395		INC
4	4	☑	TA-25	AA-DH	KU16	5,759		INC
<b>L2900F</b>								
2	2	☑	TA-111A	EX	111KU11	5,163		INC
2	2	☑	TA-160	AA-DH-EX	KU29	5,637		INC
2	2	☑	TA-170	AA-DH-EX	KU36	6,055		INC
2	2	☑	TA-175	AA-DH-EX	KU36	6,395		INC
2	2	☑	TA-25	AA-DH	KU16	5,759		INC
<b>L2900GST</b>								
4	4	☑	TA-111A					

TRACTOR	LOADER SELECTION	MOUNTING BRACKETS	HYD.						
MODEL	WD	FIT	LOADER MODEL	FOOTNOTES	BRKT	KIT	PACKAGE PRICE	REAR AXLE KIT	VALVE JOYSTICK PKG.
L3650F	2	<input checked="" type="checkbox"/>	TA-111	AA-DH-OH	111KU9	5,163	INC	INC	
	2		TA-25	AA-DH-OJ	KU7	5,690	INC	A4	
L3650GST	4	<input checked="" type="checkbox"/>	TA-111	AA-DH-OH	111KU9	5,163	INC	INC	
	4		TA-25	AA-DH-OJ	KU7	5,690	INC	A4	
L3710	4	<input checked="" type="checkbox"/>	TA-111A	AA-GH	111KU13	5,232	INC	INC	
	4	<input checked="" type="checkbox"/>	TA-111A	AA-DH-DI	KU34	5,278	INC	INC	
	4		TA-160	AA-GH	KU21	5,706	INC	INC	
	4		TA-160	AA-DH	KU22	5,683	INC	INC	
	4	<input checked="" type="checkbox"/>	TA-170	AA-DH	KU35	6,055	INC	INC	
	4		TA-175	AA-DH	KU35	6,395	INC	INC	
	4		TA-25	AA	KU17	5,874	INC	A4	
L3710DT	4	<input checked="" type="checkbox"/>	TA-111A	AA-GH	111KU13	5,232	INC	INC	
	4	<input checked="" type="checkbox"/>	TA-111A	AA-DH-DI	KU34	5,278	INC	INC	
	4		TA-160	AA-GH	KU21	5,706	INC	INC	
	4		TA-160	AA-DH	KU22	5,683	INC	INC	
	4	<input checked="" type="checkbox"/>	TA-170	AA-DH	KU35	6,055	INC	INC	
	4		TA-175	AA-DH	KU35	6,395	INC	INC	
	4		TA-25	AA	KU17	5,874	INC	A4	
L3710GST	4	<input checked="" type="checkbox"/>	TA-111A	AA-GH	111KU13	5,232	INC	INC	
	4	<input checked="" type="checkbox"/>	TA-111A	AA-DH-DI	KU34	5,278	INC	INC	
	4		TA-160	AA-GH	KU21	5,706	INC	INC	
	4		TA-160	AA-DH	KU22	5,683	INC	INC	
	4	<input checked="" type="checkbox"/>	TA-170	AA-DH	KU35	6,055	INC	INC	
	4		TA-175	AA-DH	KU35	6,395	INC	INC	
	4		TA-25	AA	KU17	5,874	INC	A4	
L3710HST	4	<input checked="" type="checkbox"/>	TA-111A	AA-GH	111KU13	5,232	INC	INC	
	4	<input checked="" type="checkbox"/>	TA-111A	AA-DH-DI	KU34	5,278	INC	INC	
	4		TA-160	AA-GH	KU21	5,706	INC	INC	
	4		TA-160	AA-DH	KU22	5,683	INC	INC	
	4	<input checked="" type="checkbox"/>	TA-170	AA-DH	KU35	6,055	INC	INC	
	4		TA-175	AA-DH	KU35	6,395	INC	INC	
	4		TA-25	AA	KU17	5,874	INC	A4	
L3750	2		TA-160		KU20	5,568	INC		
	2	<input checked="" type="checkbox"/>	TA-25	AA-CH-MF	KU2	5,690	INC	A4	
	2		TA-26	AA-CH-MF	KU2	6,950	INC	A4	
	2		TA-26 Plus	AA-CH-MF	KU2	7,390	INC	A4	
	2		TA-26-12	AA-CH-MF	KU2	8,210	INC	A4	
	4		TA-160		KU20	5,568	INC		
	4		TA-25	AA-CH-MF	KU2	5,690	INC	A4	
L3750DT	4		TA-160		KU20	5,568	INC		
	4	<input checked="" type="checkbox"/>	TA-25	AA-CH-MF	KU2	5,690	INC	A4	
	4		TA-26	AA-CH-MF	KU2	6,950	INC	A4	
	4		TA-26 Plus	AA-CH-MF	KU2	7,390	INC	A4	
	4		TA-26-12	AA-CH-MF	KU2	8,210	INC	A4	
	4		TA-160		KU20	5,568	INC		
	4		TA-25	AA-CH-MF	KU2	5,690	INC	A4	
L3750F	2		TA-160		KU20	5,568	INC		
	2	<input checked="" type="checkbox"/>	TA-25	AA-CH-MF	KU2	5,690	INC	A4	
	2		TA-26	AA-CH-MF	KU2	6,950	INC	A4	
	2		TA-26 Plus	AA-CH-MF	KU2	7,390	INC	A4	
	2		TA-26-12	AA-CH-MF	KU2	8,210	INC	A4	
	4		TA-160		KU20	5,568	INC		
	4		TA-25	AA-CH-MF	KU2	5,690	INC	A4	
L3800	2		TA-111A	AA-DH-DI	KU42	5,232	INC	INC	
	2		TA-160	AA-DH-DI	KU43	5,660	INC	INC	
	2	<input checked="" type="checkbox"/>	TA-170	AA-DH-DI	KU44	6,055	INC	INC	
	2		TA-25	AA-DH-DI	KU45	6,058	INC	A4	
	4		TA-111A	AA-DH-DI	KU42	5,232	INC	INC	
	4		TA-160	AA-DH-DI	KU43	5,660	INC	INC	
	4	<input checked="" type="checkbox"/>	TA-170	AA-DH-DI	KU44	6,055	INC	INC	
L3800 GST	4		TA-111A	AA-DH-DI	KU42	5,232	INC	INC	
	4		TA-160	AA-DH-DI	KU43	5,660	INC	INC	
	4	<input checked="" type="checkbox"/>	TA-170	AA-DH-DI	KU44	6,055	INC	INC	
	4		TA-25	AA-DH-DI	KU45	6,058	INC	A4	
	4		TA-111A	AA-DH-DI	KU42	5,232	INC	INC	
	4		TA-160	AA-DH-DI	KU43	5,660	INC	INC	
	4	<input checked="" type="checkbox"/>	TA-170	AA-DH-DI	KU44	6,055	INC	INC	
L3800 HST	4		TA-111A	AA-DH-DI	KU42	5,232	INC	INC	
	4		TA-160	AA-DH-DI	KU43	5,660	INC	INC	
	4	<input checked="" type="checkbox"/>	TA-170	AA-DH-DI	KU44	6,055	INC	INC	
	4		TA-25	AA-DH-DI	KU45	6,058	INC	A4	
	4		TA-111A	AA-DH-DI	KU42	5,232	INC	INC	
	4		TA-160	AA-DH-DI	KU43	5,660	INC	INC	
	4	<input checked="" type="checkbox"/>	TA-170	AA-DH-DI	KU44	6,055	INC	INC	

TRACTOR	LOADER SELECTION	MOUNTING BRACKETS	HYD.						
MODEL	WD	FIT	LOADER MODEL	FOOTNOTES	BRKT	KIT	PACKAGE PRICE	REAR AXLE KIT	VALVE JOYSTICK PKG.
L3940	4		TA-160	AA-DH-DI	KU47	5,660	INC	INC	
	4		TA-25	AA-DH-DI	KU48	6,035	INC	A4	
	4		TA-26	AA-DH-DI	KU48	7,295	INC	A4	
	4		TA-26 Plus	AA-DH-DI	KU48	7,735	INC	A4	
L3940DT	4		TA-160	AA-DH-DI	KU47	5,660	INC	INC	
	4	<input checked="" type="checkbox"/>	TA-170	AA-DH-DI	KU46	6,055	INC	INC	
	4		TA-175	AA-DH-DI	KU46	6,395	INC	INC	
	4		TA-25	AA-DH-DI	KU48	6,035	INC	A4	
L3940GST	4		TA-160	AA-DH-DI	KU47	5,660	INC	INC	
	4	<input checked="" type="checkbox"/>	TA-170	AA-DH-DI	KU46	6,055	INC	INC	
	4		TA-175	AA-DH-DI	KU46	6,395	INC	INC	
	4		TA-25	AA-DH-DI	KU48	6,035	INC	A4	
L3940HST	4		TA-160	AA-DH-DI	KU47	5,660	INC	INC	
	4	<input checked="" type="checkbox"/>	TA-170	AA-DH-DI	KU46	6,055	INC	INC	
	4		TA-175	AA-DH-DI	KU46	6,395	INC	INC	
	4		TA-25	AA-DH-DI	KU48	6,035	INC	A4	
L3940HSTC	4	<input checked="" type="checkbox"/>	TA-170	AA-DH-DI	KU46	6,055	INC	INC	
	4		TA-175	AA-DH-DI	KU46	6,395	INC	INC	
	4		TA-25	AA-DH-DI	KU48	6,035	INC	A4	
	4		TA-26-12	AA-CH-MF	KU2	8,210	INC	A4	
L4150	2		TA-160		KU20	5,568	INC		
	2		TA-25	AA-CH-MF	KU2	5,690	INC	A4	
	2		TA-26	AA-CH-MF	KU2	6,950	INC	A4	
	2	<input checked="" type="checkbox"/>	TA-26 Plus	AA-CH-MF	KU2	7,390	INC	A4	
	2		TA-26-12	AA-CH-MF	KU2	8,210	INC	A4	
	4		TA-160		KU20	5,568	INC		
	4		TA-25	AA-CH-MF	KU2	5,690	INC	A4	
L4150DT	2		TA-160		KU20	5,568	INC		
	2		TA-25	AA-CH-MF	KU2	5,690	INC	A4	
	2		TA-26	AA-CH-MF	KU2	6,950	INC	A4	
	2	<input checked="" type="checkbox"/>	TA-26 Plus	AA-CH-MF	KU2	7,390	INC	A4	
	2		TA-26-12	AA-CH-MF	KU2	8,210	INC	A4	
	4		TA-160		KU20	5,568	INC		
	4		TA-25	AA-CH-MF	KU2	5,690	INC	A4	
L4150F	2		TA-160		KU20	5,568	INC		
	2		TA-25	AA-CH-MF	KU2	5,690	INC	A4	
	2		TA-26	AA-CH-MF	KU2	6,950	INC	A4	
	2	<input checked="" type="checkbox"/>	TA-26 Plus	AA-CH-MF	KU2	7,390	INC	A4	
	2		TA-26-12	AA-CH-MF	KU2	8,210	INC	A4	
	4		TA-160		KU20	5,568	INC		
	4		TA-25	AA-CH-MF	KU2	5,690	INC	A4	
L4200	2		TA-111A	AA-DH	KU34	5,278	INC	INC	
	2		TA-111A	AA-GH	111KU13	5,232	INC	INC	
	2		TA-160	AA-DH	KU22	5,683	INC	INC	
	2	<input checked="" type="checkbox"/>	TA-170	AA-DH	KU35	6,055	INC	INC	
	2		TA-175	AA-DH	KU35	6,395	INC	INC	
	2	<input checked="" type="checkbox"/>	TA-25	AA	KU17	5,874	INC	A4	
	4		TA-111A	AA-DH-DI	KU34	5,278	INC	INC	
L4200DT	4		TA-111A	AA-GH	111KU13	5,232	INC	INC	
	4		TA-160	AA-DH	KU22	5,683	INC	INC	
	4		TA-160	AA-GH	KU21	5,706	INC	INC	
	4	<input checked="" type="checkbox"/>	TA-170	AA-DH	KU35	6,055	INC	INC	
	4		TA-175	AA-DH	KU35	6,395	INC	INC	
	4	<input checked="" type="checkbox"/>	TA-25	AA	KU17	5,874	INC	A4	
	4		TA-111A	AA-DH-DI	KU34	5,278	INC	INC	
L4200GST	4		TA-111A	AA-GH	111KU13	5,232	INC	INC	
	4		TA-160	AA-DH	KU22	5,683	INC	INC	
	4		TA-160	AA-GH	KU21	5,706	INC	INC	
	4	<input checked="" type="checkbox"/>	TA-170	AA-DH	KU35	6,055	INC	INC	
	4		TA-175	AA-DH	KU35	6,395	INC	INC	
	4	<input checked="" type="checkbox"/>	TA-25	AA	KU17	5,874	INC	A4	
	4		TA-111A	AA-DH-DI	KU34	5,278	INC	INC	
L4200HST	4		TA-111A	AA-GH	111KU13	5,232	INC	INC	
	4		TA-160	AA-DH	KU22	5,683	INC	INC	
	4		TA-160	AA-GH	KU21	5,706	INC	INC	
	4	<input checked="" type="checkbox"/>	TA-170	AA-DH	KU35	6,055	INC	INC	
	4		TA-175	AA-DH	KU35	6,395	INC	INC	
	4	<input checked="" type="checkbox"/>	TA-25	AA	KU17	5,874	INC	A4	
	4		TA-111A	AA-DH-DI	KU34	5,278	INC	INC	
L4200HSTC	4	<input checked="" type="checkbox"/>	TA-170	AA-DH-DI	KU46	6,055	INC	INC	
	4								



TRACTOR	LOADER SELECTION	MOUNTING BRACKETS	HYD.						
MODEL	WD	FIT	LOADER MODEL	FOOTNOTES	BRKT	KIT	PACKAGE PRICE	REAR AXLE KIT	VALVE JOYSTICK PKG
<b>L5740DT</b>	4		TA-160	AA-DH-NU-OH	KJ47		5,660	INC	INC
	4	<input checked="" type="checkbox"/>	TA-170	AA-NU-OH	KJ46		6,055		INC
	4		TA-175	AA-NU-OH	KJ46		6,395		INC
	4		TA-25	AA-DH-NK-NU-OH-OJ	KJ48		6,035	INC	A4
	4		TA-26	AA-DH-NK-NU-OH-OJ	KJ48		7,295	INC	A4
	4		TA-26 Plus	AA-DH-NK-NU-OH-OJ	KJ48		7,735	INC	A4
<b>L5740HST</b>	4		TA-160	AA-DH-NU-OH	KJ47		5,660	INC	INC
	4	<input checked="" type="checkbox"/>	TA-170	AA-NU-OH	KJ46		6,055		INC
	4		TA-175	AA-NU-OH	KJ46		6,395		INC
	4		TA-25	AA-DH-NK-NU-OH-OJ	KJ48		6,035	INC	A4
	4		TA-26	AA-DH-NK-NU-OH-OJ	KJ48		7,295	INC	A4
	4		TA-26 Plus	AA-DH-NK-NU-OH-OJ	KJ48		7,735	INC	A4
<b>M95S</b>	4		TA-26	AA-DW-EL-NK-OI	KJ49		7,502	INC	A4
	4	<input checked="" type="checkbox"/>	TA-26 Plus	AA-DW-EL-OI	KJ49		7,942	INC	A4
	4		TA-26-12	AA-DW-EL-OI	KJ49		8,762	INC	A4
	4		TA-28	AA-DW-EL-OI	KJ49		9,387	INC	A4
	4		TA-28 Plus	AA-DW-EL-OI	KJ49		9,927	INC	A4
	4		TA-29	AA-DH-NK-NU-OH-OJ	KJ49		10,282	INC	A4
4	<input checked="" type="checkbox"/>	CC-340	AA-DW-EL-OI	KJ50		9,950	INC	A4	
<b>M96S</b>	4	<input checked="" type="checkbox"/>	MAX 420	EL-OI	KJ76		8,900		A4
	4		TA-26	AO-EL-NK-OI	KJ67		7,318		A4
	4		TA-26 Plus	AO-EL-OI	KJ67		7,758		A4
	4		TA-26-12	AO-EL-OI	KJ67		8,578		A4
	4		TA-28 Plus	AO-EL-OI	KJ68		9,835		A4
	4		TA-29	AO-EL-OI	KJ68		10,190		A4
4	<input checked="" type="checkbox"/>	CC-340	EL-OI	KJ69		9,950		A4	
4	<input checked="" type="checkbox"/>	FM-540	EL-OI	KJ70		10,900		A4	
<b>M105S</b>	4		TA-26	AA-DW-EL-NK-OI	KJ49		7,502	INC	A4
	4		TA-26 Plus	AA-DW-EL-OI	KJ49		7,942	INC	A4
	4	<input checked="" type="checkbox"/>	TA-26-12	AA-DW-EL-OI	KJ49		8,762	INC	A4
	4		TA-28	AA-DW-EL-OI	KJ49		9,387	INC	A4
	4		TA-28 Plus	AA-DW-EL-OI	KJ49		9,927	INC	A4
	4		TA-29	AA-DW-EL-OI	KJ49		10,282	INC	A4
4	<input checked="" type="checkbox"/>	CC-340	AA-DW-EL-OI	KJ50		9,950	INC	A4	
<b>M108S</b>	4	<input checked="" type="checkbox"/>	MAX 420	EL-OI	KJ76		8,900		A4
	4		TA-26	AO-EL-NK-OI	KJ67		7,318		A4
	4		TA-26 Plus	AO-EL-OI	KJ67		7,758		A4
	4		TA-26-12	AO-EL-OI	KJ67		8,578		A4
	4		TA-28 Plus	AO-EL-OI	KJ68		9,835		A4
	4		TA-29	AO-EL-OI	KJ68		10,190		A4
4	<input checked="" type="checkbox"/>	CC-340	EL-OI	KJ69		9,950		A4	
4	<input checked="" type="checkbox"/>	FM-540	EL-OI	KJ70		10,900		A4	
<b>M100X</b>	4	<input checked="" type="checkbox"/>	TA-28 Plus	EL-OI	KJ64		10,088		A4
	4		TA-29	EL-OI	KJ64		10,443		A4
	4		CC-340	EL-OI	KJ66		9,950		A4
	4		FM-540	EL-OI	KJ65		10,900		A4
<b>M105X</b>	4		TA-28	EL-OI	KJ51		9,088		A4
	4		TA-28 PLUS	EL-OI	KJ51		9,628		A4
	4		TA-29	EL-OI	KJ51		9,983		A4
	4	<input checked="" type="checkbox"/>	CC-340	EL-OI	KJ52		9,950		A4
<b>M110</b>	4		TA-28	AM-EG	KJ28		9,272		A4
	4	<input checked="" type="checkbox"/>	TA-28 Plus	AM-EG	KJ28		9,812		A4
	4		TA-29	AM-EG	KJ28		10,167		A4
	4		CC-340	EL-OI	KJ66		9,950		A4
<b>M110X</b>	4	<input checked="" type="checkbox"/>	TA-28 Plus	EL-OI	KJ64		10,088		A4
	4		TA-29	EL-OI	KJ64		10,443		A4
	4		CC-340	EL-OI	KJ66		9,950		A4
	4		FM-540	EL-OI	KJ65		10,900		A4
<b>M120</b>	4		TA-28	AM-EG	KJ28		9,272		A4
	4	<input checked="" type="checkbox"/>	TA-28 Plus	AM-EG	KJ28		9,812		A4
	4		TA-29	AM-EG	KJ28		10,167		A4
	4		CC-340	EL-OI	KJ66		9,950		A4
<b>M120DT</b>	4		TA-28	AM-EG	KJ28		9,272		A4
	4	<input checked="" type="checkbox"/>	TA-28 Plus	AM-EG	KJ28		9,812		A4
	4		TA-29	AM-EG	KJ28		10,167		A4
	4		CC-340	EL-OI	KJ66		9,950		A4
<b>M120F</b>	2		TA-28	AM-EG	KJ28		9,272		A4
	2	<input checked="" type="checkbox"/>	TA-28 Plus	AM-EG	KJ28		9,812		A4
	2		TA-29	AM-EG	KJ28		10,167		A4
	2		CC-340	EL-OI	KJ66		9,950		A4

TRACTOR	LOADER SELECTION	MOUNTING BRACKETS	HYD.						
MODEL	WD	FIT	LOADER MODEL	FOOTNOTES	BRKT	KIT	PACKAGE PRICE	REAR AXLE KIT	VALVE JOYSTICK PKG
<b>M125X</b>	4		TA-28	EG-OI	KU53		9,640		A4
	4	<input checked="" type="checkbox"/>	TA-28 PLUS	EG-OI	KU53		10,180		A4
	4		TA-29	EG-OI	KU53		10,535		A4
	4		TA-45	EG-OI	KU53		10,241		A4
	4		CC-360	EG-OI	KU54		11,995		A4
	4		FM-550	EG-OI	KU55		14,470		A4
<b>M4030SU</b>	2		WL-21	CH	KU6		6,550		A4
	2	<input checked="" type="checkbox"/>	WL-27	CH	KU6		7,580		A4
	2		TA-25	CH	KU6		5,690		A4
	2		TA-26	CH	KU6		6,950		A4
	2		TA-26 Plus	CH	KU6		7,390		A4
	2		TA-26-12	CH	KU6		8,210		A4
<b>M4050</b>	2		WL-21	DL	21KU2		6,550		A4
	2	<input checked="" type="checkbox"/>	TA-25	DL	KU4		5,690		A4
	2		TA-26	DL	KU4		6,950		A4
	2		TA-26 Plus	DL	KU4		7,390		A4
	2		TA-26-12	DL	KU4		8,210		A4
	4		TA-25	DL	KU4		5,690		A4
4		TA-26	DL	KU4		6,950		A4	
4	<input checked="" type="checkbox"/>	TA-26 Plus	DL	KU4		7,390		A4	
4		TA-26-12	DL	KU4		8,210		A4	
<b>M4050DT</b>	4		TA-25	DL	KU4		5,690		A4
	4		TA-26	DL	KU4		6,950		A4
	4	<input checked="" type="checkbox"/>	TA-26 Plus	DL	KU4		7,390		A4
	4		TA-26-12	DL	KU4		8,210		A4
	4		TA-25	DL	KU4		5,690		A4
	4		TA-26	DL	KU4		6,950		A4
4	<input checked="" type="checkbox"/>	TA-26 Plus	DL	KU4		7,390		A4	
4		TA-26-12	DL	KU4		8,210		A4	
<b>M4050F</b>	2		WL-21	DL	21KU2		6,550		A4
	2	<input checked="" type="checkbox"/>	TA-25	DL	KU4		5,690		A4
	2		TA-26	DL	KU4		6,950		A4
	2		TA-26 Plus	DL	KU4		7,390		A4
	2		TA-26-12	DL	KU4		8,210		A4
	4		TA-25	DL	KU4		5,690		A4
4		TA-26	DL	KU4		6,950		A4	
4	<input checked="" type="checkbox"/>	TA-26 Plus	DL	KU4		7,390		A4	
4		TA-26-12	DL	KU4		8,210		A4	
<b>M4500</b>	2		TA-25	DL	KU4		5,690		A4
	2		TA-26	DL	KU4		6,950		A4
	2	<input checked="" type="checkbox"/>	TA-26 Plus	DL	KU4		7,390		A4
	2		TA-26-12	DL	KU4		8,210		A4
	4		TA-25	DL	KU4		5,690		A4
	4		TA-26	DL	KU4		6,950		A4
4	<input checked="" type="checkbox"/>	TA-26 Plus	DL	KU4		7,390		A4	
4		TA-26-12	DL	KU4		8,210		A4	
<b>M4500F</b>	2		TA-25	DL	KU4		5,690		A4
	2		TA-26	DL	KU4		6,950		A4
	2	<input checked="" type="checkbox"/>	TA-26 Plus	DL	KU4		7,390		A4
	2		TA-26-12	DL	KU4		8,210		A4
	4		TA-25	DL	KU4		5,690		A4
	4		TA-26	DL	KU4		6,950		A4
4	<input checked="" type="checkbox"/>	TA-26 Plus	DL	KU4		7,390		A4	
4		TA-26-12	DL	KU4		8,210		A4	
<b>M4700</b>	2		TA-180	DH-DL	KU37		6,757		INC
	2		WL-21	AO-DH-DL	KU33		6,642		A4
	2		WL-27	AO-DH-DL	KU33		7,672		A4
	2		TA-25	AO-DH-DL	KU19		5,690		A4
	2		TA-26	AO-DH-DL	KU19		6,950		A4
	2	<input checked="" type="checkbox"/>	TA-26 Plus	AO-DH-DL	KU19		7,390		A4
2		TA-26-12	AO-DH-DL	KU19		8,210		A4	
<b>M4700F</b>	2		TA-180	DH-DL	KU37		6,757		INC
	2		WL-21	AO-DH-DL	KU33		6,642		A4
	2		WL-27	AO-DH-DL	KU33		7,672		A4
	2		TA-25	AO-DH-DL	KU19		5,690		A4
	2		TA-26	AO-DH-DL	KU19		6,950		A4
	2	<input checked="" type="checkbox"/>	TA-26 Plus	AO-DH-DL	KU19		7,390		A4
2		TA-26-12	AO-DH-DL	KU19		8,210		A4	
<b>M4700F</b>	2		TA-180	DH-DL	KU37		6,757		INC
	2		WL-21	AO-DH-DL	KU33		6,642		A4
	2		WL-27	AO-DH-DL	KU33		7,672		A4
	2		TA-25	AO-DH-DL	KU19		5,690		A4
	2		TA-26	AO-DH-DL	KU19		6,950		A4
	2	<input checked="" type="checkbox"/>	TA-26 Plus	AO-DH-DL	KU19		7,390		A4
2		TA-26-12	AO-DH-DL	KU19		8,210		A4	
<b>M4900</b>	2		TA-180	DH-DL	KU37		6,757		INC
	2		WL-21	AO-DH-DL	KU33		6,642		A4
	2		WL-27	AO-DH-DL	KU33		7,672		

TRACTOR	LOADER SELECTION	MOUNTING BRACKETS	HYD.						
MODEL	WD	FIT	LOADER MODEL	FOOTNOTES	BRKT	KIT	PACKAGE PRICE	REAR AXLE KIT	VALVE JOYSTICK PKG.
<b>M9000F</b>									
2	WL-27	AA	KUJ31	7,948	INC	A4			
2	WL-42	AA-BQ	KUJ31	9,156	INC	A4			
2	TA-26	AA	KUJ32	7,387	INC	A4			
2	TA-26 Plus	AA	KUJ32	7,827	INC	A4			
2	TA-26-12	AA	KUJ32	8,647	INC	A4			
2	TA-28	AA	KUJ32	9,295	INC	A4			
2	TA-28 Plus	AA	KUJ32	9,835	INC	A4			
2	TA-29	AA	KUJ32	10,190	INC	A4			
2	TA-45	AA	KUJ32	9,896	INC	A4			
<b>M9540</b>									
4	MAX 420	EG	KUJ75	8,900		A4			
4	TA-26	AO-EE	KUJ59	7,410		A4			
4	TA-26 Plus	AO-EE	KUJ59	7,850		A4			
4	TA-26-12	AO-EE	KUJ59	8,670		A4			
4	CC-340	EE	KUJ57	9,950		A4			
4	FM-540	EE	KUJ58	10,900		A4			
<b>M9580</b>									
4	TA-28		KUJ12	8,950		A4			
4	TA-28 Plus		KUJ12	9,490		A4			
4	TA-29		KUJ12	9,845		A4			
4	TA-45		KUJ12	9,620		A4			
<b>M9580DT</b>									
4	TA-28		KUJ12	8,950		A4			
4	TA-28 Plus		KUJ12	9,490		A4			
4	TA-29		KUJ12	9,845		A4			
4	TA-45		KUJ12	9,620		A4			
<b>MX4700</b>									
2	TA-160	AA-DH-OJ	KUJ72	5,637	INC	INC			
2	TA-25	AA-DH-KNJU-OJ-OJ	KUJ48	6,035	INC	A4			
2	TA-26	AA-DH-KNJU-OJ-OJ	KUJ48	7,295	INC	A4			
2	TA-26 Plus	AA-DH-KNJU-OJ-OJ	KUJ48	7,735	INC	A4			
4	TA-160	AA-DH-OJ	KUJ72	5,637	INC	INC			
4	TA-25	AA-DH-KNJU-OJ-OJ	KUJ48	6,035	INC	A4			
4	TA-26	AA-DH-KNJU-OJ-OJ	KUJ48	7,295	INC	A4			
4	TA-26 Plus	AA-DH-KNJU-OJ-OJ	KUJ48	7,735	INC	A4			
<b>MX4700 HST</b>									
4	TA-160	AA-DH-OJ	KUJ72	5,637	INC	INC			
4	TA-25	AA-DH-KNJU-OJ-OJ	KUJ48	6,035	INC	A4			
4	TA-26	AA-DH-KNJU-OJ-OJ	KUJ48	7,295	INC	A4			
4	TA-26 Plus	AA-DH-KNJU-OJ-OJ	KUJ48	7,735	INC	A4			
<b>MX5000</b>									
2	TA-160	AA-DH-MS-OH	KUJ61	5,683		A4			
2	TA-170	AA-DH-MS-OH	KUJ60	6,055		A4			
2	TA-25	AA-DH-OJ	KUJ62	6,012		A4			
2	TA-26	AA-DH-OJ-OJ	KUJ62	7,272		A4			
2	TA-26 Plus	AA-DH-OJ-OJ	KUJ62	7,712		A4			
4	TA-160	AA-DH-MS-OH	KUJ61	5,683		A4			
4	TA-170	AA-DH-MS-OH	KUJ60	6,055		A4			
4	TA-25	AA-DH-OJ	KUJ62	6,012		A4			
4	TA-26	AA-DH-OJ-OJ	KUJ62	7,272		A4			
4	TA-26 Plus	AA-DH-OJ-OJ	KUJ62	7,712		A4			
<b>MX5100</b>									
2	TA-160	AA-DH-OJ	KUJ72	5,637	INC	INC			
2	TA-25	AA-DH-KNJU-OJ-OJ	KUJ48	6,035	INC	A4			
2	TA-26	AA-DH-KNJU-OJ-OJ	KUJ48	7,295	INC	A4			
2	TA-26 Plus	AA-DH-KNJU-OJ-OJ	KUJ48	7,735	INC	A4			
4	TA-160	AA-DH-OJ	KUJ72	5,637	INC	INC			
4	TA-25	AA-DH-KNJU-OJ-OJ	KUJ48	6,035	INC	A4			
4	TA-26	AA-DH-KNJU-OJ-OJ	KUJ48	7,295	INC	A4			
4	TA-26 Plus	AA-DH-KNJU-OJ-OJ	KUJ48	7,735	INC	A4			
<b>LAMBORGHINI</b>									
TRACTOR	LOADER SELECTION	MOUNTING BRACKETS	HYD.						
MODEL	WD	FIT	LOADER MODEL	FOOTNOTES	BRKT	KIT	PACKAGE PRICE	REAR AXLE KIT	VALVE JOYSTICK PKG.
<b>RUNNER 250</b>									
4	TA-54		DH-MV-NP	INC			4,540		A4
<b>RUNNER 250 JET</b>									
4	TA-54		DH-MV-NP	INC			4,540		A4
<b>RUNNER 350</b>									
4	TA-54		DH-MV-NP	INC			4,540		A4
<b>RUNNER 450</b>									
4	TA-54		DH-MV-NP	INC			4,540		A4

TRACTOR	LOADER SELECTION	MOUNTING BRACKETS	HYD.						
MODEL	WD	FIT	LOADER MODEL	FOOTNOTES	BRKT	KIT	PACKAGE PRICE	REAR AXLE KIT	VALVE JOYSTICK PKG.
<b>LANDINI</b>									
<b>5680</b>									
2	WL-27		LA3	7,741		A4			
2	WL-21		LA3	6,711		A4			
2	TA-25	AG	LA2	5,782		A4			
2	TA-26	AG	LA2	7,042		A4			
2	TA-26 Plus	AG	LA2	7,482		A4			
2	TA-26-12	AG	LA2	8,302		A4			
<b>7830</b>									
4	TA-26		MF6	6,950		A4			
4	TA-26 Plus		MF6	7,390		A4			
4	TA-26-12		MF6	8,210		A4			
<b>10000S</b>									
4	TA-46		LA1	11,108		A4			
4	TA-48		LA1	12,319		A4			
<b>LANDPOWER 125T</b>									
4	TA-28 Plus	AO-EH-MT	LA9	9,927		A4			
4	TA-29	AO-EH-MT	LA9	10,282		A4			
4	CC-360	AO-EH-MT	LA11	11,995		A4			
4	FM-550	AO-EH-MT	LA10	14,470		A4			
<b>LEGEND 145</b>									
4	CC-360	AO	LA12	11,995		A4			
<b>POWERFARM 75</b>									
2	TA-26	BO-EL-MT	LA7	7,180		A4			
2	TA-26 Plus	BO-EL-MT	LA7	7,620		A4			
2	TA-26-12	BO-EL-MT	LA7	8,440		A4			
2	CC-340	EL	LA8	9,950		A4			
4	TA-26	BO-EL-MT	LA7	7,180		A4			
4	TA-26 Plus	BO-EL-MT	LA7	7,620		A4			
4	TA-26-12	BO-EL-MT	LA7	8,440		A4			
4	CC-340	EL	LA8	9,950		A4			
<b>POWERFARM 85</b>									
2	TA-26	BO-EL-MT	LA7	7,180		A4			
2	TA-26 Plus	BO-EL-MT	LA7	7,620		A4			
2	TA-26-12	BO-EL-MT	LA7	8,440		A4			
2	CC-340	EL	LA8	9,950		A4			
4	TA-26	BO-EL-MT	LA7	7,180		A4			
4	TA-26 Plus	BO-EL-MT	LA7	7,620		A4			
4	TA-26-12	BO-EL-MT	LA7	8,440		A4			
4	CC-340	EL	LA8	9,950		A4			
<b>VISION 85</b>									
4	TA-26	EL-MT	LA4	7,249		A4			
4	TA-26 Plus	EL-MT	LA4	7,689		A4			
4	TA-26-12	EL-MT	LA4	8,509		A4			
4	CC-340	EL	LA6	9,950		A4			
<b>VISION 95</b>									
4	TA-26	EL-MT	LA4	7,249		A4			
4	TA-26 Plus	EL-MT	LA4	7,689		A4			
4	TA-26-12	EL-MT	LA4	8,509		A4			
4	CC-340	EL	LA6	9,950		A4			
4	FM-540	EG	LA13	10,900		A4			
<b>VISION 100</b>									
4	TA-26	EL-MT	LA4	7,249		A4			
4	TA-26 Plus	EL-MT	LA4	7,689		A4			
4	TA-26-12	EL-MT	LA4	8,509		A4			
4	CC-340	EL	LA6	9,950		A4			
4	FM-540	EG	LA13	10,900		A4			
<b>VISION 105</b>									
4	TA-26	EL-MT	LA4	7,249		A4			
4	TA-26 Plus	EL-MT	LA4	7,689		A4			
4	TA-26-12	EL-MT	LA4	8,509		A4			
4	CC-340	EL	LA6	9,950		A4			
4	FM-540	EG	LA13	10,900		A4			

TRACTOR	LOADER SELECTION	MOUNTING BRACKETS	HYD.						
MODEL	WD	FIT	LOADER MODEL	FOOTNOTES	BRKT	KIT	PACKAGE PRICE	REAR AXLE KIT	VALVE JOYSTICK PKG.
<b>LONG</b>									
<b>460</b>									
2	TA-160	OH	OW34	5,706		INC			
2	WL-21	MA	LO1	6,757		A4			
2	WL-27	MA	LO1	7,787		A4			
2	TA-25	AC	LO1	5,897		A4			
2	TA-26	AC	LO1	7,157		A4			
2	TA-26 Plus	AC	LO1	7,597		A4			
2	TA-26-12	AC	LO1	8,417		A4			
<b>510</b>									
2	TA-160	BY-OH	OW34	5,706		INC			
2	TA-25	AC-BY	LO1	5,897		A4			
2	TA-26	AC-BY	LO1	7,157		A4			
2	TA-26 Plus	AC-BY	LO1	7,597		A4			
2	TA-26-12	AC-BY	LO1	8,417		A4			
<b>560</b>									
2	TA-160	OH	OW34	5,706		INC			
2	WL-21	MA	LO1	6,757		A4			
2	WL-27	MA	LO1	7,787		A4			
2	TA-25	AC	LO1	5,897		A4			
2	TA-26	AC	LO1	7,157		A4			
2	TA-26 Plus	AC	LO1	7,597		A4			
2	TA-26-12	AC	LO1	8,417		A4			
<b>610</b>									
2	TA-160	OH	OW34	5,706		INC			
2	TA-25	AC	LO1	5,897		A4			
2	TA-26	AC	LO1	7,157		A4			
2	TA-26 Plus	AC	LO1	7,597		A4			
2	TA-26-12	AC	LO1	8,417		A4			
<b>680</b>									
2	WL-21	MF	LO2	6,987		A4			
2</									



TRACTOR	LOADER SELECTION	FOOTNOTES	BRKT KIT	PACKAGE PRICE	REAR AXLE KIT	VALVE JOYSTICK PKG
CT47HST	TA-111	DH-MV-NP-OI	MC24	5,255		INC
	TA-160	DH-MV-NP-OI	MC25	5,637		INC
	TA-170	DH-OI	MC26	6,055		INC
	TA-25	DH-OI-NK	MC27	5,966		A4
CX50	CC-330		CD69	8,715		A4
	TA-25	AO-EP	CD33▲	6,127		A4
	TA-26	AO-EE	CD33▲	7,387		A4
	TA-26 Plus	AO-EE	CD33▲	7,827		A4
	TA-26-12	AO-EE	CD33▲	8,647		A4
CC-330		CD69	8,715		A4	
CX60	CC-330		CD69	8,715		A4
	TA-25	AO-EP	CD33▲	6,127		A4
	TA-26	AO-EE	CD33▲	7,387		A4
	TA-26 Plus	AO-EE	CD33▲	7,827		A4
	TA-26-12	AO-EE	CD33▲	8,647		A4
CC-330		CD69	8,715		A4	
CX70	WL-21		CD39	6,872		A4
	WL-27		CD45	7,879		A4
	TA-26		CD39	7,226		A4
	TA-26 Plus		CD39	7,666		A4
	TA-26-12		CD39	8,486		A4
	TA-28	NK	CD39	9,111		A4
	TA-28 Plus	NK	CD39	9,651		A4
	TA-29	NK	CD39	10,006		A4
	CC-330		MC15	8,715		A4
	TA-26	AO-EL	CD33▲	7,387		A4
TA-26 Plus	AO-EL	CD33▲	7,827		A4	
TA-26-12	AO-EL	CD33▲	8,647		A4	
TA-28	AO-EL	CD33▲	9,249		A4	
TA-28 Plus	AO-EL	CD33▲	9,766		A4	
TA-29	AO-EL	CD33▲	10,121		A4	
CC-330	EL	MC11	8,715		A4	
CC-340	EL	CD56	9,950		A4	
FM-540	EL	MC16	10,900		A4	
CX75	WL-21		CD39	6,872		A4
	WL-27		CD45	7,879		A4
	TA-26		CD39	7,226		A4
	TA-26 Plus		CD39	7,666		A4
	TA-26-12		CD39	8,486		A4
	TA-28	NK	CD39	9,111		A4
	TA-28 Plus	NK	CD39	9,651		A4
	TA-29	NK	CD39	10,006		A4
	CC-330		MC15	8,715		A4
	TA-26	AO-EL	CD33▲	7,387		A4
TA-26 Plus	AO-EL	CD33▲	7,827		A4	
TA-26-12	AO-EL	CD33▲	8,647		A4	
TA-28	AO-EL	CD33▲	9,249		A4	
TA-28 Plus	AO-EL	CD33▲	9,766		A4	
TA-29	AO-EL	CD33▲	10,121		A4	
CC-330	EL	MC11	8,715		A4	
CC-340	EL	CD56	9,950		A4	
FM-540	EL	MC16	10,900		A4	
CX80	WL-21		CD39	6,872		A4
	WL-27		CD45	7,879		A4
	TA-26		CD39	7,226		A4
	TA-26 Plus		CD39	7,666		A4
	TA-26-12		CD39	8,486		A4
	TA-28	NK	CD39	9,111		A4
	TA-28 Plus	NK	CD39	9,651		A4
	TA-29	NK	CD39	10,006		A4
	CC-330		MC15	8,715		A4
	TA-26	AO-EL	CD33▲	7,387		A4
TA-26 Plus	AO-EL	CD33▲	7,827		A4	
TA-26-12	AO-EL	CD33▲	8,647		A4	
TA-28	AO-EL	CD33▲	9,249		A4	
TA-28 Plus	AO-EL	CD33▲	9,766		A4	
TA-29	AO-EL	CD33▲	10,121		A4	
CC-330	EL	MC11	8,715		A4	
CC-340	EL	CD56	9,950		A4	
FM-540	EL	MC16	10,900		A4	
CX85	WL-21		CD39	6,872		A4
	WL-27		CD45	7,879		A4
	TA-26		CD39	7,226		A4
	TA-26 Plus		CD39	7,666		A4
	TA-26-12		CD39	8,486		A4
	TA-28	NK	CD39	9,111		A4
	TA-28 Plus	NK	CD39	9,651		A4
	TA-29	NK	CD39	10,006		A4
	CC-330		MC15	8,715		A4
	TA-26	AO-EL	CD33▲	7,387		A4
TA-26 Plus	AO-EL	CD33▲	7,827		A4	
TA-26-12	AO-EL	CD33▲	8,647		A4	
TA-28	AO-EL	CD33▲	9,249		A4	
TA-28 Plus	AO-EL	CD33▲	9,766		A4	
TA-29	AO-EL	CD33▲	10,121		A4	
CC-330	EL	MC11	8,715		A4	
CC-340	EL	CD56	9,950		A4	
FM-540	EL	MC16	10,900		A4	
CX90	WL-21		CD39	6,872		A4
	WL-27		CD45	7,879		A4
	TA-26		CD39	7,226		A4
	TA-26 Plus		CD39	7,666		A4
	TA-26-12		CD39	8,486		A4
	TA-28	NK	CD39	9,111		A4
	TA-28 Plus	NK	CD39	9,651		A4
	TA-29	NK	CD39	10,006		A4
	CC-330		MC15	8,715		A4
	TA-26	AO-EL	CD33▲	7,387		A4
TA-26 Plus	AO-EL	CD33▲	7,827		A4	
TA-26-12	AO-EL	CD33▲	8,647		A4	
TA-28	AO-EL	CD33▲	9,249		A4	
TA-28 Plus	AO-EL	CD33▲	9,766		A4	
TA-29	AO-EL	CD33▲	10,121		A4	
CC-330	EL	MC11	8,715		A4	
CC-340	EL	CD56	9,950		A4	
FM-540	EL	MC16	10,900		A4	
CX95	WL-21		CD39	6,872		A4
	WL-27		CD45	7,879		A4
	TA-26		CD39	7,226		A4
	TA-26 Plus		CD39	7,666		A4
	TA-26-12		CD39	8,486		A4
	TA-28	NK	CD39	9,111		A4
	TA-28 Plus	NK	CD39	9,651		A4
	TA-29	NK	CD39	10,006		A4
	CC-330		MC15	8,715		A4
	TA-26	AO-EL	CD33▲	7,387		A4
TA-26 Plus	AO-EL	CD33▲	7,827		A4	
TA-26-12	AO-EL	CD33▲	8,647		A4	
TA-28	AO-EL	CD33▲	9,249		A4	
TA-28 Plus	AO-EL	CD33▲	9,766		A4	
TA-29	AO-EL	CD33▲	10,121		A4	
CC-330	EL	MC11	8,715		A4	
CC-340	EL	CD56	9,950		A4	
FM-540	EL	MC16	10,900		A4	
CX100	WL-21		CD39	6,872		A4
	WL-27		CD45	7,879		A4
	TA-26		CD39	7,226		A4
	TA-26 Plus		CD39	7,666		A4
	TA-26-12		CD39	8,486		A4
	TA-28	NK	CD39	9,111		A4
	TA-28 Plus	NK	CD39	9,651		A4
	TA-29	NK	CD39	10,006		A4
	CC-330		MC15	8,715		A4
	TA-26	AO-EL-GU	CD33▲	7,387		A4
TA-26 Plus	AO-EL-GU	CD33▲	7,827		A4	
TA-26-12	AO-EL-GU	CD33▲	8,647		A4	
TA-28	AO-EL-GU	CD33▲	9,249		A4	
TA-28 Plus	AO-EL-GU	CD33▲	9,766		A4	
TA-29	AO-EL-GU	CD33▲	10,121		A4	
CC-330	EL-GU	MC11	8,715		A4	
CC-340	EL-GU	CD56	9,950		A4	
FM-540	EL-GU	MC16	10,900		A4	

▲ Stock Mounting Kit • ☑ Best Fit(s) • See Appendix for Footnotes and Frame Identification on pages 159-167

If you cannot find the tractor that you wish to mount, please call. We fit new tractors daily. All prices and price classes are subject to change without notice.

TRACTOR	LOADER SELECTION	FOOTNOTES	BRKT KIT	PACKAGE PRICE	REAR AXLE KIT	VALVE JOYSTICK PKG	
CX105	WL-21		CD39	6,872		A4	
	WL-27		CD45	7,879		A4	
	TA-26		CD39	7,226		A4	
	TA-26 Plus		CD39	7,666		A4	
	TA-26-12		CD39	8,486		A4	
	TA-28	NK	CD39	9,111		A4	
	TA-28 Plus	NK	CD39	9,651		A4	
	TA-29	NK	CD39	10,006		A4	
	CC-330		MC15	8,715		A4	
	TA-26	AO-EL	CD33▲	7,387		A4	
TA-26 Plus	AO-EL	CD33▲	7,827		A4		
TA-26-12	AO-EL	CD33▲	8,647		A4		
TA-28	AO-EL	CD33▲	9,249		A4		
TA-28 Plus	AO-EL	CD33▲	9,766		A4		
TA-29	AO-EL	CD33▲	10,121		A4		
CC-330	EL	MC11	8,715		A4		
CC-340	EL	CD56	9,950		A4		
FM-540	EL	MC16	10,900		A4		
GX40	TA-170	AA-DH	MC7	6,170	INC	INC	
	TA-170	AA-DH	MC7	6,170	INC	INC	
GX40H	TA-170	AA-DH	MC7	6,170	INC	INC	
	TA-170	AA-DH	MC7	6,170	INC	INC	
GX45	TA-170	AA-DH	MC7	6,170	INC	INC	
	TA-170	AA-DH	MC7	6,170	INC	INC	
GX45H	TA-170	AA-DH	MC7	6,170	INC	INC	
	TA-170	AA-DH	MC7	6,170	INC	INC	
GX50	TA-170	AA-DH	MC7	6,170	INC	INC	
	TA-170	AA-DH	MC7	6,170	INC	INC	
GX50H	TA-170	AA-DH	MC7	6,170	INC	INC	
	TA-170	AA-DH	MC7	6,170	INC	INC	
MC80	TA-26	AO-EG-MR-MV	CD42	7,180		C4	
	TA-26 Plus	AO-EG-MR-MV	CD42	7,620		C4	
	TA-26-12	AO-EG-MR-MV	CD42	8,440		C4	
	TA-28	AO-EI-MR-MV	CD42	9,065		C4	
	TA-28 Plus	AO-EI-MR-MV	CD42	9,605		C4	
	TA-29	AO-EI-MR-MV	CD42	9,960		C4	
	CC-340	EI-MR	CD54	9,950		C4	
	FM-540	EI-MR	MC17	10,900		C4	
	MC90	TA-26	AO-EG-MR-MV	CD42	7,180		C4
		TA-26 Plus	AO-EG-MR-MV	CD42	7,620		C4
TA-26-12		AO-EG-MR-MV	CD42	8,440		C4	
TA-28		AO-EI-MR-MV	CD42	9,065		C4	
TA-28 Plus		AO-EI-MR-MV	CD42	9,605		C4	
TA-29		AO-EI-MR-MV	CD42	9,960		C4	
CC-340		EI-MR	CD54	9,950		C4	
FM-540		EI-MR	MC17	10,900		C4	
MC95		TA-26	AO-EG-MR-MV	CD42	7,180		C4
		TA-26 Plus	AO-EG-MR-MV	CD42	7,620		C4
	TA-26-12	AO-EG-MR-MV	CD42	8,440		C4	
	TA-28	AO-EI-MR-MV	CD42	9,065		C4	
	TA-28 Plus	AO-EI-MR-MV	CD42	9,605		C4	
	TA-29	AO-EI-MR-MV	CD42	9,960		C4	
	CC-340	EI-MR	CD54	9,950		C4	
	FM-540	EI-MR	MC17	10,900		C4	
	MC100	TA-26	AO-EG-MR-MV	CD42	7,180		C4
		TA-26 Plus	AO-EG-MR-MV	CD42	7,620		C4

TRACTOR	LOADER SELECTION	FOOTNOTES	BRKT KIT	PACKAGE PRICE	REAR AXLE KIT	VALVE JOYSTICK PKG	HYD.
<b>XTX200</b>							
4	TA-46A	AO-EK-MR-OI	MC3	11,269		C4	
4	TA-48	AO-EK-MR-OI	MC3	12,434		C4	
4	TA-76	AO-EK-MR-OI	MC3	12,687		C4	
4	TA-77	AO-EK-MR-OI	MC3	13,357		C4	
4	XTA-400	EK-MR-OI	MC4	11,981		C4	
4	CC-360	EK-MR-OI	MC12	11,995		C4	
4	FM-550	EK-MR-OI	MC8	14,470		C4	
<b>XTX215</b>							
4	TA-46A	AO-EK-MR-OI	MC3	11,269		C4	
4	TA-48	AO-EK-MR-OI	MC3	12,434		C4	
4	TA-76	AO-EK-MR-OI	MC3	12,687		C4	
4	TA-77	AO-EK-MR-OI	MC3	13,357		C4	
4	XTA-400	EK-MR-OI	MC4	11,981		C4	
4	CC-360	EK-MR-OI	MC12	11,995		C4	
4	FM-550	EK-MR-OI	MC8	14,470		C4	
<b>ZTX-230</b>							
4	FM-570		CALL	17,475		A4	
<b>ZTX-260</b>							
4	FM-570		CALL	17,475		A4	
<b>ZTX-280</b>							
4	FM-570		CALL	17,475		A4	
<b>MAHINDRA</b>							
TRACTOR	LOADER SELECTION	FOOTNOTES	BRKT KIT	PACKAGE PRICE	REAR AXLE KIT	VALVE JOYSTICK PKG	HYD.
<b>350</b>							
2	TA-160	GH-MS	MH12	5,683		INC	
<b>485DI</b>							
2	TA-160	GH-MS-NK	MH2	5,637		INC	
2	TA-180	GH-MS	MH4	6,665		INC	
2	TA-25	GH-MS	MH1	5,690		A4	
2	TA-26	GH-MS	MH1	6,950		A4	
2	TA-26 Plus	GH-MS	MH1	7,390		A4	
2	TA-26-12	GH-MS	MH1	8,210		A4	
<b>575DI</b>							
2	TA-160	GH-MS-NK	MH2	5,637		INC	
2	TA-180	GH-MS	MH4	6,665		INC	
<b>3505DI</b>							
2	TA-160	GH-MS-NK	MH9	5,591		INC	
2	TA-170	GH-MS	MH10	6,055		INC	
2	TA-180	GH-MS	MH11	6,665		INC	
2	TA-25	GH-MS-NK	MH1	5,690		A4	
2	TA-26	GH-MS-NK	MH1	6,950		A4	
2	TA-26 Plus	GH-MS-NK	MH1	7,390		A4	
2	TA-26-12	GH-MS-NK	MH1	8,210		A4	
<b>3510</b>							
4	TA-170	NO	MH3	6,055		INC	
<b>3510HST</b>							
4	TA-170	MS	MH13	6,055		INC	
<b>4110</b>							
4	TA-170		MH8	6,055		INC	
<b>4500</b>							
2	TA-185	AO-CI	MH14	6,895	230	INC	
2	WL-21	AO-CI-DL	MH15	6,734	230	A4	
2	TA-25	AO-CI-DL	MH5	5,805	230	A4	
2	TA-26	AO-CI-DL	MH5	7,065	230	A4	
2	TA-26 Plus	AO-CI-DL	MH5	7,505	230	A4	
2	TA-26-12	AO-CI-DL	MH5	8,325	230	A4	
<b>4505</b>							
2	TA-160	GH-MS-NK	MH2	5,637		INC	
2	TA-180	GH-MS	MH4	6,665		INC	
2	TA-25	GH-MS	MH1	5,690		A4	
2	TA-26	GH-MS	MH1	6,950		A4	
2	TA-26 Plus	GH-MS	MH1	7,390		A4	
2	TA-26-12	GH-MS	MH1	8,210		A4	
<b>5005</b>							
2	TA-160	GH-MS-NK	MH2	5,637		INC	
2	TA-180	GH-MS	MH4	6,665		INC	
2	TA-25	GH-MS	MH1	5,690		A4	
2	TA-26	GH-MS	MH1	6,950		A4	
2	TA-26 Plus	GH-MS	MH1	7,390		A4	
2	TA-26-12	GH-MS	MH1	8,210		A4	

TRACTOR	LOADER SELECTION	FOOTNOTES	BRKT KIT	PACKAGE PRICE	REAR AXLE KIT	VALVE JOYSTICK PKG	HYD.
<b>5500</b>							
2	TA-185	AO-CI	MH14	6,895	230	INC	
2	WL-21	AO-CI-DL	MH6	6,780	115	A4	
2	WL-27	AO-CI-DL	MH6	7,810	115	A4	
2	WL-42	AO-CI-DL	MH6	9,064	92	A4	
2	TA-25	AO-CI-DL	MH5	5,805	115	A4	
2	TA-26	AO-CI-DL	MH5	7,065	115	A4	
2	TA-26 Plus	AO-CI-DL	MH5	7,505	115	A4	
2	TA-26-12	AO-CI-DL	MH5	8,325	115	A4	
4	TA-26	AO-AQ-CI-DL-EM	MH7	7,157	345	A4	
4	TA-26 Plus	AO-AQ-CI-DL-EM	MH7	7,597	345	A4	
4	TA-26-12	AO-AQ-CI-DL-EM	MH7	8,417	345	A4	
4	TA-28	AO-AQ-CI-DL-EM	MH7	9,019	345	A4	
4	TA-28 Plus	AO-AQ-CI-DL-EM	MH7	9,559	345	A4	
4	TA-29	AO-AQ-CI-DL-EM	MH7	9,914	345	A4	
<b>6000</b>							
2	TA-185	AO-CI	MH14	7,485	230	INC	
2	WL-21	AO-CI-DL	MH6	6,780	115	A4	
2	WL-27	AO-CI-DL	MH6	7,810	115	A4	
2	WL-42	AO-CI-DL	MH6	9,064	92	A4	
2	TA-25	AO-CI-DL	MH5	5,805	115	A4	
2	TA-26	AO-CI-DL	MH5	7,065	115	A4	
2	TA-26 Plus	AO-CI-DL	MH5	7,505	115	A4	
2	TA-26-12	AO-CI-DL	MH5	8,325	115	A4	
4	TA-26	AO-AQ-CI-DL-EM	MH7	7,157	345	A4	
4	TA-26 Plus	AO-AQ-CI-DL-EM	MH7	7,597	345	A4	
4	TA-26-12	AO-AQ-CI-DL-EM	MH7	8,417	345	A4	
4	TA-28	AO-AQ-CI-DL-EM	MH7	9,019	345	A4	
4	TA-28 Plus	AO-AQ-CI-DL-EM	MH7	9,559	345	A4	
4	TA-29	AO-AQ-CI-DL-EM	MH7	9,914	345	A4	
<b>6500</b>							
2	TA-185	AO-CI	MH14	7,485	230	INC	
2	WL-21	AO-CI-DL	MH6	6,780	115	A4	
2	WL-27	AO-CI-DL	MH6	7,810	115	A4	
2	WL-42	AO-CI-DL	MH6	9,064	92	A4	
2	TA-25	AO-CI-DL	MH5	5,805	115	A4	
2	TA-26	AO-CI-DL	MH5	7,065	115	A4	
2	TA-26 Plus	AO-CI-DL	MH5	7,505	115	A4	
2	TA-26-12	AO-CI-DL	MH5	8,325	115	A4	
4	TA-26	AO-AQ-CI-DL-EM	MH7	7,157	345	A4	
4	TA-26 Plus	AO-AQ-CI-DL-EM	MH7	7,597	345	A4	
4	TA-26-12	AO-AQ-CI-DL-EM	MH7	8,417	345	A4	
4	TA-28	AO-AQ-CI-DL-EM	MH7	9,019	345	A4	
4	TA-28 Plus	AO-AQ-CI-DL-EM	MH7	9,559	345	A4	
4	TA-29	AO-AQ-CI-DL-EM	MH7	9,914	345	A4	
<b>7520</b>							
4	TA-26	AO-CI-DH-EM-OI	MH17	7,295		A4	
4	TA-26 Plus	AO-CI-DH-EM-OI	MH17	7,735		A4	
4	TA-26-12	AO-CI-DH-EM-OI	MH17	8,555		A4	
<b>C4005 DI</b>							
2	TA-160	GH-MS-NK	MH2	5,637		INC	
2	TA-180	GH-MS	MH4	6,665		INC	
2	TA-25	GH-MS	MH1	5,690		A4	
2	TA-26	GH-MS	MH1	6,950		A4	
2	TA-26 Plus	GH-MS	MH1	7,390		A4	
2	TA-26-12	GH-MS	MH1	8,210		A4	
<b>E350 DI</b>							
2	TA-160	GH-MS	MH12	5,683		INC	

MASSEY FERGUSON							
TRACTOR	LOADER SELECTION	FOOTNOTES	BRKT KIT	PACKAGE PRICE	REAR AXLE KIT	VALVE JOYSTICK PKG	HYD.
<b>33</b>							
2	WL-21		21MF1	6,619		A4	
2	WL-27		27MF1	7,649		A4	
2	WL-42		42MF1	8,995		A4	
<b>35</b>							
2	TA-160	BY-NE	TF2	5,591		INC	
2	TA-25	AP-AM	MF2	5,805		A4	
<b>44</b>							
2	WL-21		21MF1	6,619		A4	
2	WL-27		27MF1	7,649		A4	
2	WL-42		42MF1	8,995		A4	
<b>44 SPECIAL</b>							
2	WL-21		21MF1	6,619		A4	
2	WL-27		27MF1	7,649		A4	
2	WL-42		42MF1	8,995		A4	
<b>65</b>							
2	WL-21		21MF12	6,642		A4	
2	WL-27		27MF12	7,672		A4	
2	WL-42		42MF2	8,995		A4	
<b>65 WITH WEIGHT BRACKETS</b>							
2	WL-42		42MF3	8,995		A4	
<b>85</b>							
2	WL-21		21MF3	6,642		A4	
2	WL-27		27MF3	7,672		A4	
2	TA-25	NK	MF3	5,690		A4	
2	TA-26	NK	MF3	6,950		A4	
2	TA-26 Plus	NK	MF3	7,390		A4	
2	TA-26-12	NK	MF3	8,210		A4	
<b>85 WITH WEIGHT BRACKETS</b>							
2	WL-42		42MF3	8,995		A4	
<b>85 WITHOUT WEIGHT BRACKETS</b>							
2	WL-42		42MF4	8,995		A4	
<b>90</b>							
2	WL-21		21MF3	6,642		A4	
2	WL-27		27MF3	7,672		A4	
2	TA-25	NK	MF3	5,690		A4	
2	TA-26	NK	MF3	6,950		A4	
2	TA-26 Plus	NK	MF3	7,390		A4	
2	TA-26-12	NK	MF3	8,210		A4	
<b>90 WITHOUT WEIGHT BRACKETS</b>							
2	WL-42		42MF4	8,995		A4	
<b>SUPER 90</b>							
2	TA-25	NK	MF3	5,690		A4	
2	TA-26	NK	MF3	6,950		A4	
2	TA-26 Plus	NK	MF3	7,390		A4	
2	TA-26-12	NK	MF3	8,210		A4	
<b>SUPER 90 WITHOUT WEIGHT BRACKETS</b>							
2	WL-42		42MF5	8,995		A4	
<b>135</b>							
2	TA-160	BY-NE	TF2	5,591		INC	
2	WL-21		21MF5	6,711		A4	
2	TA-25	AP-AM	MF2	5,805		A4	
<b>150</b>							
2	WL-21		MF102	6,711		A4	
2	WL-27		MF102	7,741		A4	
2	TA-25		MF3	5,690		A4	
2	TA-26		MF102	7,042		A4	
2	TA-26 Plus		MF102	7,482		A4	
2	TA-26-12		MF102	8,302		A4	
<b>165</b>							
2	WL-21		MF102	6,711		A4	
2	WL-27</						





TRACTOR	LOADER SELECTION	MOUNTING BRACKETS	HYD.
MODEL	FIT LOADER MODEL FOOTNOTES	BRKT KIT PACKAGE PRICE REAR AXLE KIT VALVE JOYSTICK PKG	
593	2 WL-21 OI MF93 6,872 A4		
	2 WL-27 OI MF93 7,902 A4		
	2 TA-26 OI MF78 7,065 A4		
	2 TA-26 Plus OI MF78 7,505 A4		
	2 TA-26-12 OI MF78 8,325 A4		
	4 TA-26 AO-EG-NK-OI MF100 7,364 A4		
	4 TA-26 Plus AO-EG-OI MF100 7,804 A4		
	4 TA-26-12 AO-EG-OI MF100 8,624 A4		
	4 TA-28 Plus AO-EG-OI MF69 9,536 A4		
	4 TA-29 AO-EG-OI MF69 9,891 A4		
596	2 WL-21 OI MF93 6,872 A4		
	2 WL-27 OI MF93 7,902 A4		
	2 TA-26 OI MF78 7,065 A4		
	2 TA-26 Plus OI MF78 7,505 A4		
	2 TA-26-12 OI MF78 8,325 A4		
	4 TA-26 AO-EG-NK-OI MF100 7,364 A4		
	4 TA-26 Plus AO-EG-OI MF100 7,804 A4		
	4 TA-26-12 AO-EG-OI MF100 8,624 A4		
	4 TA-28 Plus AO-EG-OI MF69 9,536 A4		
	4 TA-29 AO-EG-OI MF69 9,891 A4		
690	4 TA-26 AO-DW-ED-EL MF45 7,088 A4		
	4 TA-26 Plus AO-DW-ED-EL MF45 7,528 A4		
	4 TA-26-12 AO-DW-ED-EL MF45 8,348 A4		
	4 TA-28 AO-DW-EL MF46 9,111 A4		
698	2 WL-21 AM 21MF11 6,780 A4		
	2 WL-27 AM 27MF11 7,810 A4		
	4 TA-26 AO-MT MF92 7,134 A4		
	4 TA-26 Plus AO-MT MF92 7,574 A4		
4 TA-26-12 AO-MT MF92 8,394 A4			
699	4 TA-26 AO-NK MF4 7,065 A4		
	4 TA-26 Plus AO-NK MF4 7,505 A4		
	4 TA-26-12 AO-NK MF4 8,325 A4		
	4 TA-28 AO-NK MF4 9,111 A4		
1010	2 TA-55 CH 55DE1 4,540 INC		
	4 TA-55 CH 55DE1 4,540 INC		
1020	2 TA-55 CH 55DE1 4,540 INC		
	4 TA-55 CH 55DE1 4,540 INC		
1030	2 TA-111 AA-CH 111MF2 5,186 INC INC		
	4 TA-55 CH 55MF1 4,540 INC		
4 TA-111A 111MF3 5,025 INC			
1040	2 TA-111 CH 111MF6 5,025 INC		
	2 TA-25 CH-OJ MF27 5,690 A4		
	2 TA-26 CH-OJ MF27 6,950 A4		
	2 TA-26 Plus CH-OJ MF27 7,390 A4		
1080	2 WL-21 21MF4 6,642 A4		
	2 WL-27 27MF4 7,672 A4		
	2 WL-42 42MF6 9,087 A4		
1085	2 WL-21 AA-CO 21MF6 7,010 INC A4		
	2 WL-27 AA-CO 27MF6 8,040 INC A4		
	2 WL-42 AA-AM-CO 42MF7 9,455 INC A4		
1100	2 WL-42 42MF8 8,995 A4		
	2 WL-42 42MF8 8,995 A4		
1105	2 WL-42 BU 42MF9 9,616 A4		
	2 TA-46 BU MF11 10,970 A4		
	2 TA-76 BU MF11 12,595 A4		
	2 TA-77 BU MF11 13,265 A4		
1130	2 WL-42 42MF8 8,995 A4		
	2 WL-42 42MF8 8,995 A4		
1135	2 WL-42 BU 42MF9 9,616 A4		
	2 TA-46 BU MF11 10,970 A4		
	2 TA-76 BU MF11 12,595 A4		
	2 TA-77 BU MF11 13,265 A4		
1140	4 TA-111 CH-NP 111MF4 5,071 INC		
	4 TA-111 CH-NP 111MF4 5,071 INC		
1145	4 TA-111 CH-NP 111MF4 5,071 INC		
	4 TA-111 CH-NP 111MF4 5,071 INC		

TRACTOR	LOADER SELECTION	MOUNTING BRACKETS	HYD.
MODEL	FIT LOADER MODEL FOOTNOTES	BRKT KIT PACKAGE PRICE REAR AXLE KIT VALVE JOYSTICK PKG	
1150	2 WL-64 AA-AM 64MF1 12,430 INC A4		
	2 WL-61 61MF1 10,745 A4		
1155	4 TA-160 MF47 5,430 INC		
	4 TA-25 MF19 5,690 A4		
	4 TA-26 MF19 6,950 A4		
	4 TA-26 Plus MF19 7,390 A4		
	4 TA-26-12 MF19 8,210 A4		
	4 TA-26-12 MF19 8,210 A4		
1160	4 TA-160 MF47 5,430 INC		
	4 TA-25 MF19 5,690 A4		
1190	4 TA-25 MF19 5,690 A4		
	4 TA-26 Plus MF19 7,390 A4		
1205HST	4 TA-55 AA-CH-DM-MS MF35 4,632 INC INC		
	4 TA-55 AA-CH-DM-MS MF35 4,632 INC INC		
1215HST	4 TA-55 AA-CH-DM-MS MF35 4,632 INC INC		
	4 TA-55 AA-CH-DM-MS MF35 4,632 INC INC		
1225	4 TA-55 AA-CH-DM-MS MF35 4,632 INC INC		
	4 TA-55 AA-CH-DM-MS MF35 4,632 INC INC		
1230	2 TA-55 AA-EZ-NP-OI MF56 4,724 INC INC		
	2 TA-111 AA-EZ-NP-OI MF57 5,232 INC INC		
	4 TA-55 AA-EZ-NP-OI MF56 4,724 INC INC		
	4 TA-111 AA-EZ-NP-OI MF57 5,232 INC INC		
1233	2 TA-55 AC39 4,540 INC		
	2 TA-111 AC40 5,071 INC		
	4 TA-55 AC39 4,540 INC		
	4 TA-111 AC40 5,071 INC		
1235	4 TA-55 AA-EZ-NP-OI MF56 4,724 INC INC		
	4 TA-111 AA-EZ-NP-OI MF57 5,232 INC INC		
1240	2 TA-111 CH-EZ-NP MF41 5,025 INC		
	4 TA-111 CH-EZ-NP MF41 5,025 INC		
1250	4 TA-111 CH-NP 111MF4 5,071 INC		
	4 TA-170 CH MF55 6,055 INC		
1260	4 TA-111 CH-NP 111MF4 5,071 INC		
	4 TA-170 CH MF55 6,055 INC		
1423	4 TA-55 AA-EX AC48 4,678 INC		
	4 TA-55 AA-EX AC48 4,678 INC		
1429-4	4 TA-111 AQ-CH-NP AC41 5,117 92 INC		
	4 TA-170 AQ-CH-NP AC42 6,055 46 INC		
	4 TA-175 AQ-CH-NP AC42 6,395 46 INC		
	4 TA-175 AQ-CH-NP AC42 6,395 46 INC		
1431	4 TA-111 AQ-CH-DH-EX-NP MF85 5,071 161 INC		
	4 TA-111 AQ-CH-NP AC41 5,117 92 INC		
	4 TA-170 AQ-CH-NP AC42 6,055 46 INC		
	4 TA-175 AQ-CH-NP AC42 6,395 46 INC		
1433-4	4 TA-111 AQ-CH-NP AC41 5,117 92 INC		
	4 TA-170 AQ-CH-NP AC42 6,055 46 INC		
	4 TA-175 AQ-CH-NP AC42 6,395 46 INC		
	4 TA-175 AQ-CH-NP AC42 6,395 46 INC		
1433V-4	4 TA-111 AQ-CH-NP AC41 5,117 92 INC		
	4 TA-170 AQ-CH-NP AC42 6,055 46 INC		
	4 TA-175 AQ-CH-NP AC42 6,395 46 INC		
	4 TA-175 AQ-CH-NP AC42 6,395 46 INC		
1440-4	4 TA-111 AQ-CH-NP AC41 5,117 92 INC		
	4 TA-170 AQ-CH-NP AC42 6,055 46 INC		
	4 TA-175 AQ-CH-NP AC42 6,395 46 INC		
	4 TA-175 AQ-CH-NP AC42 6,395 46 INC		
1440V-4	4 TA-111 AQ-CH-NP AC41 5,117 92 INC		
	4 TA-170 AQ-CH-NP AC42 6,055 46 INC		
	4 TA-175 AQ-CH-NP AC42 6,395 46 INC		
	4 TA-175 AQ-CH-NP AC42 6,395 46 INC		
1523	4 TA-55 AA-EX AC48 4,678 INC		
	4 TA-55 AA-EX AC48 4,678 INC		
1528	4 TA-111 DH-EX MF89 5,094 INC		
	4 TA-111 DH-EX MF89 5,094 INC		
1531	4 TA-111 DH-EX MF89 5,094 INC		
	4 TA-111 DH-EX MF89 5,094 INC		
1533	4 TA-111 DH-EZ MF80 5,163 INC		
	4 TA-170 EZ MF81 6,055 INC		

TRACTOR	LOADER SELECTION	MOUNTING BRACKETS	HYD.
MODEL	FIT LOADER MODEL FOOTNOTES	BRKT KIT PACKAGE PRICE REAR AXLE KIT VALVE JOYSTICK PKG	
1540	4 TA-111 DH-EZ MF80 5,163 INC		
	4 TA-170 EZ MF81 6,055 INC		
1547	2 TA-160 EX-DH-OI MF95 5,591 INC		
	2 TA-170 EX MF77 6,055 INC		
	4 TA-160 EX-DH-OI MF95 5,591 INC		
	4 TA-170 EX MF77 6,055 INC		
1643	4 TA-160 EX-DH-NU-OI MF95 5,591 INC		
	4 TA-170 EX-NU-OI MF77 6,055 INC		
2605	4 TA-185 AO-DH-EE-OI MF97 7,508 INC		
	4 TA-185 AO-DH-EE-OI MF97 7,508 INC		
2615	2 TA-25 DH-DL-OI MF117 5,943 A4		
	4 TA-160 AO-DH-DL-EW-OH MF96 5,752 INC		
	4 TA-185 AO-DH-EE-OI MF97 7,508 INC		
	4 TA-25 AO-DH-DL-EW-OI MF97 5,828 A4		
	4 TA-26 AO-DH-DL-EE-NK-OI MF97 7,088 A4		
	4 TA-26 Plus AO-DH-DL-EE-OI MF97 7,528 A4		
	4 TA-26-12 AO-DH-DL-EE-OI MF97 8,348 A4		
	4 TA-26-12 AO-DH-DL-EE-OI MF97 8,348 A4		
2625	4 TA-185 AO-DH-EE-OI MF97 7,508 INC		
	4 TA-26 AO-DH-DL-EE-NK-OI MF97 7,088 A4		
	4 TA-26 Plus AO-DH-DL-EE-OI MF97 7,528 A4		
	4 TA-26-12 AO-DH-DL-EE-OI MF97 8,348 A4		
2635	2 TA-185 AO-DH-OI MF97 7,508 INC		
	2 TA-25 DH-DL-OI MF97 5,828 A4		
	2 TA-26 DH-DL-NK-OI MF97 7,088 A4		
	2 TA-26 Plus DH-DL-OI MF97 7,528 A4		
	2 TA-26-12 DH-DL-OI MF97 8,348 A4		
	4 TA-185 AO-DH-EE-OI MF97 7,508 INC		
	4 TA-26 AO-DH-DL-EE-NK-OI MF97 7,088 A4		
	4 TA-26 Plus AO-DH-DL-EE-OI MF97 7,528 A4		
4 TA-26-12 AO-DH-DL-EE-OI MF97 8,348 A4			
2640	2 WL-42A AA-AO 42AMF14 9,550 INC A4		
	2 TA-28 BU-MT MF5 9,295 A4		
	2 TA-28 Plus EH-BU-MT MF5 9,858 A4		
	2 TA-29 EH-BU-MT MF5 10,213 A4		
	2 TA-45 BU-MT MF5 9,942 A4		
	2 TA-46 BU-MT-MV MF5 11,338 A4		
	2 TA-48 BU-MT-MV MF5 12,526 A4		
	2 XTA-400 AO-BU MF60 12,280 A4		
	4 WL-64G AA 64GMF3 12,637 INC A4		
	4 TA-28 EH-BU-MT MF5 9,295 A4		
	4 TA-28 Plus EH-BU-MT MF5 9,858 A4		
	4 TA-29 EH-BU-MT MF5 10,213 A4		
	4 TA-45 EH-BU-MT MF5 9,942 A4		
	4 TA-46 BU-EH-MT-MV MF5 11,338 A4		
	4 TA-48 EH-BU-MT-MV MF5 12,526 A4		
	4 XTA-400 AO-BU-EH MF60 12,280 A4		
2650 HD	2 TA-26 NK-OI MF98 7,226 A4		
	2 TA-26 Plus OI MF98 7,666 A4		
	2 TA-26-12 OI MF98 8,486 A4		
	4 TA-26 AO-AP-EE-NK-OI MF99 7,364 A4		
	4 TA-26 Plus AO-AP-EE-OI MF99 7,804 A4		
	4 TA-26-12 AO-AP-EE-OI MF99 8,624 A4		
2660 HD	2 TA-26 NK-OI MF98 7,226 A4		
	2 TA-26 Plus OI MF98 7,666 A4		
	2 TA-26-12 OI MF98 8,486 A4		
	4 TA-26 AO-AP-EE-NK-OI MF99 7,364 A4		
	4 TA-26 Plus AO-AP-EE-OI MF99 7,804 A4		
	4 TA-26-12 AO-AP-EE-OI MF99 8,624 A4		
2670 HD	2 TA-26 NK-OI MF98 7,226 A4		
	2 TA-26 Plus OI MF98 7,666 A4		
	2 TA-26-12 OI MF98 8,486 A4		
	4 TA-26 AO-AP-EE-NK-OI MF99 7,364 A4		
	4 TA-26 Plus AO-AP-EE-OI MF99 7,804 A4		
	4 TA-26-12 AO-AP-EE-OI MF99 8,624 A4		
2675	2 WL-42A AM 42AMF11 9,619 A4		
	2 WL-42A AM 42AMF11 9,619 A4		

TRACTOR	LOADER SELECTION	MOUNTING BRACKETS	HYD.
MODEL	FIT LOADER MODEL FOOTNOTES	BRKT KIT PACKAGE PRICE REAR AXLE KIT VALVE JOYSTICK PKG	
2680 HD	2 TA-26 NK-OI MF98 7,226 A4		
	2 TA-26 Plus OI MF98 7,666 A4		
	2 TA-26-12 OI MF98 8,486 A4		
	4 TA-26 AO-AP-EE-NK-OI MF100 7,364 A4		
	4 TA-26 Plus AO-AP-EE-OI MF100 7,804 A4		
	4 TA-26-12 AO-AP-EE-OI MF100 8,624 A4		
2705 STYLE II	2 WL-64 BI 64MF2 12,430 A4		
	2 WL-42A AM-BH 42AMF12 9,596 A4		
2705 TYPE I FRAME	2 WL-42A AM-BI 42AMF13 9,573 A4		
	2 WL-42A AM-BI 42AMF13 9,573 A4		
2745	2 TA-76 BI MF12 12,595 A4		
	2 TA-77 BI MF12 13,265 A4		
3070	2 WL-21 21MF13 6,688 A4		
	2 WL-27 27MF13 7,718 A4		
	2 WL-42 42MF15 8,995 A4		
	2 TA-26 NK MF9 6,950 A4		
	2 TA-26 Plus NK MF9 7,390 A4		
	2 TA-26-12 NK MF9 8,210 A4		
3090	2 WL-21 MF22 6,803 A4		
	2 WL-27 27MF13 7,718 A4		
	2 WL-42 BV MF22 9,041 A4		
	2 TA-26 BV MF21 7,065 A4		
	2 TA-26 Plus BV MF21 7,505 A4		
	2 TA-26-12 BV MF21 8,325 A4		
3120	2 TA-28 AA MF15 9,295 INC A4		
	2 TA-28 Plus AA MF15 9,881 INC A4		
	2 TA-29 AA MF15 10,236 INC A4		
	2 TA-45 AA MF15 9,919 INC A4		
	2 TA-46 AA MF15 11,292 INC A4		
	2 TA-48 AA MF15 12,526 INC A4		
3140	2 TA-28 AA MF15 9,295 INC A4		
	2 TA-28 Plus AA MF15 9,881 INC A4		
	2 TA-29 AA MF15 10,236 INC A4		
	2 TA-45 AA MF15 9,919 INC A4		
	2 TA-46 AA MF15 11,292 INC A4		
	2 TA-48 AA MF15 12,526 INC A4		
3505	2 WL-42A 42AMF17 9,343 A4		
	2 TA-28 BU-MT MF5 9,295 A4		
	2 TA-28 Plus BU-MT MF5 9,858 A4		
	2 TA-29 BU-MT MF5 10,213 A4		
	2 TA-45 BU-MT MF5 9,942 A4		
	2 TA-46 BU-MT-MV MF5 11,338 A4		
3680	4 XTA-400 AO-BU-EH MF60 12,280 A4		
	4 TA-28 EH-BU-MT MF5 9,295 A4		
	4 TA-28 Plus EH-BU-MT MF5 9,858 A4		
	4 TA-29 EH-BU-MT MF5 10,213 A4		





TRACTOR	LOADER SELECTION	MOUNTING BRACKETS	HYD.
MODEL WD	FIT LOADER MODEL FOOTNOTES	BRKT KIT PACKAGE PRICE REAR AXLE KIT VALVE JOYSTICK PKG	
<b>6150</b>			
2	WL-42 MR-OG-ON AA MF25 9,386 INC A4		
2	TA-26 MR-OG-ON AA MF25 7,433 INC A4		
2	TA-26 Plus MR-OG-ON AA MF25 7,873 INC A4		
2	TA-26-12 MR-OG-ON AA MF25 8,693 INC A4		
2	TA-28 MR-OG-ON AA MF25 9,318 INC A4		
2	TA-28 Plus MR-OG-ON AA MF25 9,858 INC A4		
2	TA-29 MR-OG-ON AA MF25 10,213 INC A4		
2	TA-45 MR-OG-ON AA MF25 9,896 INC A4		
2	TA-46 MR-OG-ON AA MF25 11,292 INC A4		
2	TA-48 MR-OG-ON AA MF25 12,526 INC A4		
<b>6170</b>			
2	TA-28 MR-OG-ON AA MF15 9,295 INC A4		
2	TA-28 Plus MR-OG-ON AA MF15 9,881 INC A4		
2	TA-29 MR-OG-ON AA MF15 10,236 INC A4		
2	TA-45 MR-OG-ON AA MF15 9,919 INC A4		
2	TA-46 MR-OG-ON AA MF15 11,292 INC A4		
2	TA-48 MR-OG-ON AA MF15 12,526 INC A4		
4	TA-28 AA-AO-EH-MT MF15 9,295 INC A4		
4	TA-28 Plus AA-AO-EH-MT MF15 9,881 INC A4		
4	TA-29 AA-AO-EH-MT MF15 10,236 INC A4		
4	TA-45 AA-AO-EH-MT MF15 9,919 INC A4		
4	TA-46 AA-AO-EH-MT MF15 11,292 INC A4		
4	TA-48 AA-AO-EH-MT MF15 12,526 INC A4		
<b>6180</b>			
2	TA-28 MR-OG-ON AA MF15 9,295 INC A4		
2	TA-28 Plus MR-OG-ON AA MF15 9,881 INC A4		
2	TA-29 MR-OG-ON AA MF15 10,236 INC A4		
2	TA-45 MR-OG-ON AA MF15 9,919 INC A4		
2	TA-46 MR-OG-ON AA MF15 11,292 INC A4		
2	TA-48 MR-OG-ON AA MF15 12,526 INC A4		
4	TA-28 AA-AO-EH-MT MF15 9,295 INC A4		
4	TA-28 Plus AA-AO-EH-MT MF15 9,881 INC A4		
4	TA-29 AA-AO-EH-MT MF15 10,236 INC A4		
4	TA-45 AA-AO-EH-MT MF15 9,919 INC A4		
4	TA-46 AA-AO-EH-MT MF15 11,292 INC A4		
4	TA-48 AA-AO-EH-MT MF15 12,526 INC A4		
<b>6255</b>			
4	TA-28 AO-EG MF50 8,996 A4		
4	TA-28 Plus AO-EG MF50 9,536 A4		
4	TA-29 AO-EG MF50 9,891 A4		
4	XTA-400 AO-EG MF51 12,096 A4		
<b>6270</b>			
4	TA-28 AO-EH-EY AC35 9,226 C4		
4	TA-28 Plus AO-EH-EY AC35 9,812 C4		
4	TA-29 AO-EH-EY AC35 10,167 C4		
4	TA-46A AO-EH-EY AC35 11,315 C4		
4	TA-48 AO-EH-EY AC35 12,480 C4		
<b>6280</b>			
4	TA-28 AO-EH-EY AC35 9,226 C4		
4	TA-28 Plus AO-EH-EY AC35 9,812 C4		
4	TA-29 AO-EH-EY AC35 10,167 C4		
4	TA-46A AO-EH-EY AC35 11,315 C4		
4	TA-48 AO-EH-EY AC35 12,480 C4		
<b>6290</b>			
4	TA-28 AO-EH-EY AC35 9,226 C4		
4	TA-28 Plus AO-EH-EY AC35 9,812 C4		
4	TA-29 AO-EH-EY AC35 10,167 C4		
4	TA-46A AO-EH-EY AC35 11,315 C4		
4	TA-48 AO-EH-EY AC35 12,480 C4		

TRACTOR	LOADER SELECTION	MOUNTING BRACKETS	HYD.
MODEL WD	FIT LOADER MODEL FOOTNOTES	BRKT KIT PACKAGE PRICE REAR AXLE KIT VALVE JOYSTICK PKG	
<b>6465</b>			
2	WL-42 MR-OG-ON MF71 9,202 C4		
2	TA-28 MR-OG-ON MF71 9,249 C4		
2	TA-28 Plus MR-OG-ON MF71 9,789 C4		
2	TA-29 MR-OG-ON MF71 10,144 C4		
2	TA-45 MR-OG-ON MF71 9,827 C4		
2	TA-46 MR-OG-ON MF71 11,223 C4		
2	TA-48 MR-OG-ON MF71 12,434 C4		
2	TA-76 MR-OG-ON MF71 12,710 C4		
2	XTA-400 HA-MR-OG-OI-OP CH6 11,958 C4		
2	XTA-400 HB-MR-OG-OI-OP AC90 11,820 C4		
2	CC-360 HA-MR-OG-OI-OP CH5 11,995 C4		
2	CC-360 HB-MR-OG-OI-OP AC91 11,995 C4		
2	FM-560 HA-MR-OG-OI-OP CH7 16,900 C4		
2	FM-560 HB-MR-OG-OI-OP AC92 16,900 C4		
4	MAX 420 EK-MR-OG-OI-ON AC100 8,900 A4		
4	TA-28 AO-EH-MR-OG-ON AC45 9,180 C4		
4	TA-28 Plus AO-EH-MR-OG-ON AC45 9,812 C4		
4	TA-28 Plus AO-EH-MR-MT-OF-ON CH3 9,651 C4		
4	TA-29 AO-EH-MR-OG-ON AC45 10,167 C4		
4	TA-29 AO-EH-MR-MT-OF-ON CH3 10,006 C4		
4	TA-46A AO-EH-MR-OG-ON AC45 11,269 C4		
4	TA-48 AO-EH-MR-OG-ON AC45 12,434 C4		
4	XTA-400 AO-EH-MR-MT-OF-ON CH2 11,935 C4		
4	XTA-400 EK-MR-OG-ON AC46 11,981 C4		
4	XTA-400 EK-HA-MR-OG-OI-OP CH6 11,958 C4		
4	XTA-400 EK-HB-MR-OG-OI-OP AC90 11,820 C4		
4	CC-360 AO-EH-MR-MT-OF-ON CH1 11,995 C4		
4	CC-360 EK-MR-OG-ON AC52 11,995 C4		
4	CC-360 EK-HA-MR-OG-OI-OP CH5 11,995 C4		
4	CC-360 EK-HB-MR-OG-OI-OP AC91 11,995 C4		
4	FM-560 EK-HA-MR-OG-OI-OP CH7 16,900 C4		
4	FM-560 EK-HB-MR-OG-OI-OP AC92 16,900 C4		
4	FM-570 EK-MR-OG-ON AC59 17,475 C4		
<b>6475</b>			
2	WL-42 MR-OG-ON MF71 9,202 C4		
2	TA-28 MR-OG-ON MF71 9,249 C4		
2	TA-28 Plus MR-OG-ON MF71 9,789 C4		
2	TA-29 MR-OG-ON MF71 10,144 C4		
2	TA-45 MR-OG-ON MF71 9,827 C4		
2	TA-46 MR-OG-ON MF71 11,223 C4		
2	TA-48 MR-OG-ON MF71 12,434 C4		
2	TA-76 MR-OG-ON MF71 12,710 C4		
2	XTA-400 HA-MR-OG-OI-OP CH6 11,958 C4		
2	XTA-400 HB-MR-OG-OI-OP AC90 11,820 C4		
2	CC-360 HA-MR-OG-OI-OP CH5 11,995 C4		
2	CC-360 HB-MR-OG-OI-OP AC91 11,995 C4		
2	FM-560 HA-MR-OG-OI-OP CH7 16,900 C4		
2	FM-560 HB-MR-OG-OI-OP AC92 16,900 C4		
4	MAX 420 EK-MR-OG-OI-ON AC100 8,900 A4		
4	TA-28 AO-EH-MR-OG-ON AC45 9,180 C4		
4	TA-28 Plus AO-EH-MR-OG-ON AC45 9,812 C4		
4	TA-28 Plus AO-EH-MR-MT-OF-ON CH3 9,651 C4		
4	TA-29 AO-EH-MR-OG-ON AC45 10,167 C4		
4	TA-29 AO-EH-MR-MT-OF-ON CH3 10,006 C4		
4	TA-46A AO-EH-MR-OG-ON AC45 11,269 C4		
4	TA-48 AO-EH-MR-OG-ON AC45 12,434 C4		
4	XTA-400 AO-EH-MR-MT-OF-ON CH2 11,935 C4		
4	XTA-400 EK-MR-OG-ON AC46 11,981 C4		
4	XTA-400 EK-HA-MR-OG-OI-OP CH6 11,958 C4		
4	XTA-400 EK-HB-MR-OG-OI-OP AC90 11,820 C4		
4	CC-360 AO-EH-MR-MT-OF-ON CH1 11,995 C4		
4	CC-360 EK-MR-OG-ON AC52 11,995 C4		
4	CC-360 EK-HA-MR-OG-OI-OP CH5 11,995 C4		
4	CC-360 EK-HB-MR-OG-OI-OP AC91 11,995 C4		
4	FM-560 EK-HA-MR-OG-OI-OP CH7 16,900 C4		
4	FM-560 EK-HB-MR-OG-OI-OP AC92 16,900 C4		
4	FM-570 EK-MR-OG-ON AC59 17,475 C4		

TRACTOR	LOADER SELECTION	MOUNTING BRACKETS	HYD.
MODEL WD	FIT LOADER MODEL FOOTNOTES	BRKT KIT PACKAGE PRICE REAR AXLE KIT VALVE JOYSTICK PKG	
<b>6480</b>			
2	WL-42 MR-OG-ON MF71 9,202 C4		
2	TA-28 MR-OG-ON MF71 9,249 C4		
2	TA-28 Plus MR-OG-ON MF71 9,789 C4		
2	TA-29 MR-OG-ON MF71 10,144 C4		
2	TA-45 MR-OG-ON MF71 9,827 C4		
2	TA-46 MR-OG-ON MF71 11,223 C4		
2	TA-48 MR-OG-ON MF71 12,434 C4		
2	TA-76 MR-OG-ON MF71 12,710 C4		
2	XTA-400 HA-MR-OG-OI-OP CH6 11,958 C4		
2	XTA-400 HB-MR-OG-OI-OP AC90 11,820 C4		
2	CC-360 HA-MR-OG-OI-OP CH5 11,995 C4		
2	CC-360 HB-MR-OG-OI-OP AC91 11,995 C4		
2	FM-560 HA-MR-OG-OI-OP CH7 16,900 C4		
2	FM-560 HB-MR-OG-OI-OP AC92 16,900 C4		
4	MAX 420 EK-MR-OG-OI-ON AC100 8,900 A4		
4	TA-28 AO-EH-MR-OG-ON AC45 9,180 C4		
4	TA-28 Plus AO-EH-MR-OG-ON AC45 9,812 C4		
4	TA-28 Plus AO-EH-MR-MT-OF-ON CH3 9,651 C4		
4	TA-29 AO-EH-MR-OG-ON AC45 10,167 C4		
4	TA-29 AO-EH-MR-MT-OF-ON CH3 10,006 C4		
4	TA-46A AO-EH-MR-OG-ON AC45 11,269 C4		
4	TA-48 AO-EH-MR-OG-ON AC45 12,434 C4		
4	XTA-400 AO-EH-MR-MT-OF-ON CH2 11,935 C4		
4	XTA-400 EK-MR-OG-ON AC46 11,981 C4		
4	XTA-400 EK-HA-MR-OG-OI-OP CH6 11,958 C4		
4	XTA-400 EK-HB-MR-OG-OI-OP AC90 11,820 C4		
4	CC-360 AO-EH-MR-MT-OF-ON CH1 11,995 C4		
4	CC-360 EK-MR-OG-ON AC52 11,995 C4		
4	CC-360 EK-HA-MR-OG-OI-OP CH5 11,995 C4		
4	CC-360 EK-HB-MR-OG-OI-OP AC91 11,995 C4		
4	FM-560 EK-HA-MR-OG-OI-OP CH7 16,900 C4		
4	FM-560 EK-HB-MR-OG-OI-OP AC92 16,900 C4		
4	FM-570 EK-MR-OG-ON AC59 17,475 C4		
<b>6485</b>			
2	WL-42 MR-OG-ON MF71 9,202 C4		
2	TA-28 MR-OG-ON MF71 9,249 C4		
2	TA-28 Plus MR-OG-ON MF71 9,789 C4		
2	TA-29 MR-OG-ON MF71 10,144 C4		
2	TA-45 MR-OG-ON MF71 9,827 C4		
2	TA-46 MR-OG-ON MF71 11,223 C4		
2	TA-48 MR-OG-ON MF71 12,434 C4		
2	TA-76 MR-OG-ON MF71 12,710 C4		
2	XTA-400 HA-MR-OG-OI-OP CH6 11,958 C4		
2	XTA-400 HB-MR-OG-OI-OP AC90 11,820 C4		
2	CC-360 HA-MR-OG-OI-OP CH5 11,995 C4		
2	CC-360 HB-MR-OG-OI-OP AC91 11,995 C4		
2	FM-560 HA-MR-OG-OI-OP CH7 16,900 C4		
2	FM-560 HB-MR-OG-OI-OP AC92 16,900 C4		
4	MAX 420 EK-MR-OG-OI-ON AC100 8,900 A4		
4	TA-28 AO-EH-MR-OG-ON AC45 9,180 C4		
4	TA-28 Plus AO-EH-MR-OG-ON AC45 9,812 C4		
4	TA-28 Plus AO-EH-MR-MT-OF-ON CH3 9,651 C4		
4	TA-29 AO-EH-MR-OG-ON AC45 10,167 C4		
4	TA-29 AO-EH-MR-MT-OF-ON CH3 10,006 C4		
4	TA-46A AO-EH-MR-OG-ON AC45 11,269 C4		
4	TA-48 AO-EH-MR-OG-ON AC45 12,434 C4		
4	XTA-400 AO-EH-MR-MT-OF-ON CH2 11,935 C4		
4	XTA-400 EK-MR-OG-ON AC46 11,981 C4		
4	XTA-400 EK-HA-MR-OG-OI-OP CH6 11,958 C4		
4	XTA-400 EK-HB-MR-OG-OI-OP AC90 11,820 C4		
4	CC-360 AO-EH-MR-MT-OF-ON CH1 11,995 C4		
4	CC-360 EK-MR-OG-ON AC52 11,995 C4		
4	CC-360 EK-HA-MR-OG-OI-OP CH5 11,995 C4		
4	CC-360 EK-HB-MR-OG-OI-OP AC91 11,995 C4		
4	FM-560 EK-HA-MR-OG-OI-OP CH7 16,900 C4		
4	FM-560 EK-HB-MR-OG-OI-OP AC92 16,900 C4		
4	FM-570 EK-MR-OG-ON AC59 17,475 C4		

TRACTOR	LOADER SELECTION	MOUNTING BRACKETS	HYD.
MODEL WD	FIT LOADER MODEL FOOTNOTES	BRKT KIT PACKAGE PRICE REAR AXLE KIT VALVE JOYSTICK PKG	
<b>6490</b>			
2	WL-42 MR-OG-ON MF71 9,202 C4		
2	TA-28 MR-OG-ON MF71 9,249 C4		
2	TA-28 Plus MR-OG-ON MF71 9,789 C4		
2	TA-29 MR-OG-ON MF71 10,144 C4		
2	TA-45 MR-OG-ON MF71 9,827 C4		
2	TA-46 MR-OG-ON MF71 11,223 C4		
2	TA-48 MR-OG-ON MF71 12,434 C4		
2	TA-76 MR-OG-ON MF71 12,710 C4		
4	TA-28 AO-EK-MR-MT-OF-ON MF79 9,203 C4		
4	TA-28 AO-EH-MR-OG-ON AC45 9,180 C4		
4	TA-28 Plus AO-EH-MR-MT-OF-ON CH3 9,651 C4		
4	TA-28 Plus AO-EK-MR-MT-OF-ON MF79 9,743 C4		
4	TA-29 AO-EH-MR-OG-ON AC45 10,167 C4		
4	TA-29 AO-EK-MR-MT-OF-ON MF79 10,098 C4		
4	TA-46A AO-EK-MR-MT-OF-ON MF79 11,223 C4		
4	TA-46A AO-EH-MR-OG-ON AC45 11,269 C4		
4	TA-48 AO-EH-MR-OG-ON AC45 12,434 C4		
4	TA-48 AO-EK-MR-MT-OF-ON MF79 12,388 C4		
4	XTA-400 EK-MR-OF-ON MF82 11,935 C4		
4	XTA-400 EK-MR-OG-ON AC70 12,073 C4		
4	CC-360 EK-MR-OF-ON MF83 11,995 C4		
4	CC-360 EK-MR-OG-ON AC69 11,995 C4		
4	CC-360 EK-MR-OG-OP AC83 11,995 C4		
4	FM-560 EK-MR-OG-ON AC8		



TRACTOR	LOADER SELECTION	FOOTNOTES	BRKT KIT	PACKAGE PRICE	REAR AXLE KIT	VALVE JOYSTICK PKG
7495	2	WL-42	MR-OG-ON	MF71	9,202	C4
	2	TA-28	MR-OG-ON	MF71	9,249	C4
	2	TA-28 Plus	MR-OG-ON	MF71	9,789	C4
	2	TA-29	MR-OG-ON	MF71	10,144	C4
	2	TA-45	MR-OG-ON	MF71	9,827	C4
	2	TA-46	MR-OG-ON	MF71	11,223	C4
	2	TA-48	MR-OG-ON	MF71	12,434	C4
	2	TA-76	MR-OG-ON	MF71	12,710	C4
	4	TA-28	AD-EK-MR-MT-OF-ON	MF79	8,950	C4
	4	TA-28	AD-EK-MR-MT-OF-ON	AC45	9,180	C4
	4	TA-28 Plus	AD-EK-MR-MT-OF-ON	MF79	9,490	C4
	4	TA-28 Plus	AD-EK-MR-MT-OF-ON	AC45	9,812	C4
4	TA-29	AD-EK-MR-MT-OF-ON	MF79	9,845	C4	
4	TA-29	AD-EK-MR-MT-OF-ON	AC45	10,167	C4	
4	TA-45	AD-EK-MR-MT-OF-ON	AC45	9,919	C4	
4	TA-46A	AD-EK-MR-MT-OF-ON	MF79	10,970	C4	
4	TA-46A	AD-EK-MR-MT-OF-ON	AC45	11,269	C4	
4	TA-48	AD-EK-MR-MT-OF-ON	MF79	12,135	C4	
4	TA-48	AD-EK-MR-MT-OF-ON	AC45	12,434	C4	
4	XTA-400	EK-MR-OF-ON	MF82	11,935	C4	
4	XTA-400	EK-MR-OG-ON	AC70	12,073	C4	
4	XTA-400	EK-MR-OG-OP	AC96	12,096	C4	
4	CC-360	EK-MR-OF-ON	MF83	11,995	C4	
4	CC-360	EK-MR-OG-ON	AC69	11,995	C4	
4	CC-360	EK-MR-OG-OP	AC83	11,995	C4	
4	FM-560	EK-MR-OG-ON	AC86	16,900	C4	
4	FM-560	EK-MR-OG-OP	AC82	16,900	C4	
4	FM-570	EK-MR-OF-ON	MF84	17,475	C4	
4	FM-570	EK-MR-OG-ON	AC84	17,475	C4	
7497	4	XTA-400	EK-MR-OG-OP	AC96	12,096	C4
	4	CC-360	EK-MR-OG-OP	AC83	11,995	C4
	4	FM-560	EK-MR-OG-OP	AC82	16,900	C4
7499	4	XTA-400	EK-MR-OG-OP	AC96	12,096	C4
	4	CC-360	EK-MR-OG-OP	AC83	11,995	C4
	4	FM-560	EK-MR-OG-OP	AC82	16,900	C4
7614	4	FM-550	EK-MR-OI	MF115	14,470	C4
	4	FM-560	EK-MR-OI	MF116	16,900	C4
7615	4	FM-550	EK-MR-OI	MF115	14,470	C4
	4	FM-560	EK-MR-OI	MF116	16,900	C4
7616	4	FM-550	EK-MR-OI	MF115	14,470	C4
	4	FM-560	EK-MR-OI	MF116	16,900	C4
7618	4	FM-550	EK-MR-OI	MF115	14,470	C4
	4	FM-560	EK-MR-OI	MF116	16,900	C4
7619	4	CC-360	EK-MR-OG-OP	CH10	11,995	C4
	4	FM-560	EK-MR-OG-OP	CH9	16,900	C4
7620	4	CC-360	EK-MR-OG-OP	CH10	11,995	C4
	4	FM-560	EK-MR-OG-OP	CH9	16,900	C4
7622	4	CC-360	EK-MR-OG-OP	CH10	11,995	C4
	4	FM-560	EK-MR-OG-OP	CH9	16,900	C4
7624	4	CC-360	EK-MR-OG-OP	CH10	11,995	C4
	4	FM-560	EK-MR-OG-OP	CH9	16,900	C4
8120	2	TA-28		MF39	9,157	A4
	2	TA-28 Plus		MF39	9,697	A4
	2	TA-45		MF39	9,804	A4
	2	TA-46		MF39	11,154	A4
	2	TA-48		MF39	12,388	A4
	4	TA-28	AO-EH-MT	MF39	9,157	A4
	4	TA-28 Plus	AO-EH-MT	MF39	9,697	A4
	4	TA-29	AO-EH-MT	MF39	10,052	A4
	4	TA-45	AO-EH-MT	MF39	9,804	A4
	4	TA-46A	AO-EH-MT	MF39	11,223	A4
	4	TA-48	AO-EH-MT	MF39	12,388	A4
	4	XTA-400	EH	MF40	12,050	A4
4	CC-360	EH	MF87	11,995	A4	

TRACTOR	LOADER SELECTION	FOOTNOTES	BRKT KIT	PACKAGE PRICE	REAR AXLE KIT	VALVE JOYSTICK PKG	
8140	4	WL-64	AM-EH	MF36	12,430	A4	
	4	TA-48	AM-EH	MF34	12,365	A4	
	4	TA-76	AM-EH	MF34	12,595	A4	
	4	TA-77	AM-EH	MF34	13,265	A4	
	4	XTA-400	AM-EH	MF37	11,820	A4	
	4	XTA-700	AM-EH	MF38	13,265	A4	
	4	CC-360	AM-EH	MF87	11,995	A4	
	4	CC-370	AM-EH	MF38	14,555	A4	
	4	FM-560	EH	MF113	16,900	A4	
	8150	4	WL-64	AM-EH	MF36	12,430	A4
		4	TA-48	AM-EH	MF34	12,365	A4
		4	TA-76	AM-EH	MF34	12,595	A4
4		TA-77	AM-EH	MF34	13,265	A4	
4		XTA-400	AM-EH	MF37	11,820	A4	
4		XTA-700	AM-EH	MF38	13,265	A4	
4		CC-360	AM-EH	MF87	11,995	A4	
4		CC-370	AM-EH	MF38	14,555	A4	
4		FM-560	EH	MF113	16,900	A4	
8160		4	WL-64	AM-EH	MF36	12,430	A4
		4	TA-48	AM-EH	MF34	12,365	A4
		4	TA-76	AM-EH	MF34	12,595	A4
	4	TA-77	AM-EH	MF34	13,265	A4	
	4	XTA-400	AM-EH	MF37	11,820	A4	
	4	XTA-700	AM-EH	MF38	13,265	A4	
	4	CC-360	AM-EH	MF87	11,995	A4	
	4	CC-370	AM-EH	MF38	14,555	A4	
	4	FM-560	EH	MF113	16,900	A4	
	8220	4	TA-46A	AO-EK-GX-MR-MT	MF65	11,108	C4
		4	TA-46A	AO-EK-GY-MR-MT	MF104	11,200	C4
		4	TA-48	AO-EK-GX-MR-MT	MF65	12,273	C4
4		TA-48	AO-EK-GY-MR-MT	MF104	12,365	C4	
4		TA-76	AO-EK-GX-MR-MT	MF65	12,595	C4	
4		TA-76	AO-EK-GY-MR-MT	MF104	12,756	C4	
4		TA-77	AO-EK-GX-MR-MT	MF65	13,265	C4	
4		TA-77	AO-EK-GY-MR-MT	MF104	13,426	C4	
4		XTA-400	AO-EK-GX-MR-MT	MF66	11,820	C4	
4		XTA-400	AO-EK-GY-MR-MT	MF105	11,820	C4	
4		CC-360	AO-EK-GX-MR-MT	MF88	11,995	C4	
4		CC-360	AO-EK-GY-MR-MT	MF106	11,995	C4	
4	FM-560	AO-EK-GY-MR	MF107	16,900	C4		
8245	4	XTA-700D	AO-DC-MR-NY	AC47	13,265	C4	
	4	FM-570		AC58	17,475	C4	
8260	4	XTA-700D	AO-DC-MR-NY	AC47	13,265	C4	
	4	FM-570		AC58	17,475	C4	
8270	4	XTA-700D	AO-DC-MR-NY	AC47	13,265	C4	
	4	FM-570		AC58	17,475	C4	
8280	4	XTA-700D	AO-DC-MR-NY	AC47	13,265	C4	
	4	FM-570		AC58	17,475	C4	
8450	4	XTA-700D	AO-DC-EV-MR	AC47	13,472	C4	
	4	FM-570	EV-MR-MT	AC58	17,475	C4	
8460	4	XTA-700D	AO-DC-EV-MR	AC47	13,472	C4	
	4	FM-570	EV-MR-MT	AC58	17,475	C4	
8470	4	XTA-700D	AO-DC-EV-MR	AC47	13,472	C4	
	4	FM-570	EV-MR-MT	AC58	17,475	C4	
8480	4	XTA-700D	AO-DC-EV-MR	AC47	13,472	C4	
	4	FM-570	EV-MR-MT	AC58	17,475	C4	
8650	4	FM-570	EA-MR	MF103	17,475	C4	
	8660	4	FM-570	EA-MR	MF103	17,475	C4
8670		4	FM-570	EA-MR	MF103	17,475	C4
	8680	4	FM-570	EA-MR	MF103	17,475	C4

MINNEAPOLIS MOLINE						
TRACTOR	LOADER SELECTION	FOOTNOTES	BRKT KIT	PACKAGE PRICE	REAR AXLE KIT	VALVE JOYSTICK PKG
5 STAR	2	WL-21		21MM3	6,550	A4
	2	WL-42		42MM2	8,995	A4
302	2	WL-42		42MM3	8,995	A4
	2	WL-21		21MM1	6,550	A4
602	2	WL-21		21MM2	6,550	A4
	2	WL-42		42MM5	8,995	A4
	2	TA-25		MM2	5,690	A4
	2	TA-26		MM2	6,950	A4
	2	TA-26 Plus		MM2	7,390	A4
	2	TA-26-12		MM2	8,210	A4
1050	2	WL-42		42MM8	8,995	A4
	2	WL-42		42MM8	8,995	A4
G-900	2	WL-42A		42MM7	9,159	A4
	2	WL-42		42MM8	8,995	A4
G-1000	2	WL-42		42MM8	8,995	A4
	2	WL-42		42MM8	8,995	A4
G-1000 VISTA	2	WL-42		42MM8	8,995	A4
	2	WL-21		21MM1	6,550	A4
JET STAR 2	2	TA-25		MM1	5,690	A4
	2	TA-26		MM1	6,950	A4
JET STAR 3	2	TA-26 Plus		MM1	7,390	A4
	2	TA-26-12		MM1	8,210	A4
JET STAR 4	2	TA-26		MM1	6,950	A4
	2	TA-28		MM1	8,950	A4
M670	2	WL-42		42MM6	8,995	A4
	2	WL-21		21MM2	6,550	A4
M-5	2	WL-42		42MM1	8,995	A4
	2	WL-42		42MM5	8,995	A4
SUPER M-670	2	WL-42		42MM5	8,995	A4
	2	WL-42		42MM4	8,995	A4
U-302	2	WL-21		21MM4	6,550	A4
	2	WL-42		42MM4	8,995	A4
MITSUBISHI						
TRACTOR	LOADER SELECTION	FOOTNOTES	BRKT KIT	PACKAGE PRICE	REAR AXLE KIT	VALVE JOYSTICK PKG
160	4	TA-55		55IH3	4,540	INC
	2	TA-55		55IH3	4,540	INC
180	4	TA-55		55IH3	4,540	INC
	4	TA-55		55IH3	4,540	INC
MT210D	4	TA-111A	CHEZ	111M1	5,025	INC
	4	TA-111A	CHEZ	111M1	5,025	INC
MT250D	4	TA-111A	CHEZ	111M1	5,025	INC
	4	TA-111A	CHEZ	111M1	5,025	INC
MONTANA						
TRACTOR	LOADER SELECTION	FOOTNOTES	BRKT KIT	PACKAGE PRICE	REAR AXLE KIT	VALVE JOYSTICK PKG
R3644HST	4	TA-111A	DH-DHMS-NP-OH	MO1	5,117	INC
	4	TA-170	DH-AIS-OH	MO2	6,055	INC
R4344	4	TA-111	DH-MV-NP-OI	MC24	5,255	INC
	4	TA-160	DH-MV-NP-OI	MC25	5,637	INC
	4	TA-170	DH-OI	MC26	6,055	INC
	4	TA-25	DH-OI-NK	MC27	5,966	A4
R4944	4	TA-111	DH-MV-NP-OI	MC24	5,255	INC
	4	TA-160	DH-MV-NP-OI	MC25	5,637	INC
	4	TA-170	DH-OI	MC26	6,055	INC
	4	TA-25	DH-OI-NK	MC27	5,966	A4

TRACTOR	LOADER SELECTION	FOOTNOTES	BRKT KIT	PACKAGE PRICE	REAR AXLE KIT	VALVE JOYSTICK PKG

TRACTOR	LOADER SELECTION	MOUNTING BRACKETS	HYD.					
MODEL	WD	FIT	LOADER MODEL	FOOTNOTES	BRKT KIT	PACKAGE PRICE	REAR AXLE KIT	VALVE JOYSTICK PKG
<b>2810 TYPE 3 FRAME</b>								
2	WL-21	AS-BD-CM-DH	FO2	6,780	A4			
2	WL-21	AS-CM-DH	FO10	6,757	A4			
2	WL-21	AS-CM-DX	FO2	5,851	A4			
2	TA-25	AS-CM-DH	FO10	5,805	A4			
2	TA-25	AS-CM-DW	FO17	5,759	A4			
2	TA-26	AS-CM-DX	FO2	7,111	A4			
2	TA-26	AS-CM-DH	FO10	7,065	A4			
2	TA-26 Plus	AS-CM-DX	FO2	7,551	A4			
2	TA-26 Plus	AS-CM-DH	FO10	7,505	A4			
2	TA-26-12	AS-CM-DX	FO2	8,371	A4			
2	TA-26-12	AS-CM-DH	FO10	8,325	A4			
<b>2810 TYPE 3 FRAME SER II</b>								
2	WL-21	AS-BD-CM-DH	FO2	6,780	A4			
2	WL-21	AS-CM-DH	FO10	6,757	A4			
2	TA-25	AS-CM-DX	FO17	5,759	A4			
2	TA-26	AS-CM-DX	FO2	7,111	A4			
2	TA-26	AS-CM-DH	FO10	7,065	A4			
2	TA-26 Plus	AS-CM-DX	FO2	7,551	A4			
2	TA-26 Plus	AS-CM-DH	FO10	7,505	A4			
2	TA-26-12	AS-CM-DX	FO2	8,371	A4			
2	TA-26-12	AS-CM-DH	FO10	8,325	A4			
<b>2910LCG</b>								
2	TA-111A		111FO2	5,094	INC			
<b>2910 TYPE 2 FRAME</b>								
2	TA-160	DH	FO50	5,522	INC			
4	TA-160	DH	FO50	5,522	INC			
4	TA-25	AS-DH-EP	FO5	6,950	A4			
4	TA-26	AS-DH	FO5	6,950	A4			
4	TA-26 Plus	AS-DH	FO5	7,390	A4			
4	TA-26-12	AS-DH	FO5	8,210	A4			
<b>2910 TYPE 3 FRAME</b>								
2	TA-160	DH	FO51	5,545	INC			
2	WL-21	AS-BD-CM-DH	FO2	6,780	A4			
2	WL-21	AS-CM-DH	FO10	6,757	A4			
2	TA-25	AS-CM-DX	FO2	5,851	A4			
2	TA-25	AS-CM-DW	FO17	5,759	A4			
2	TA-26	AS-CM-DX	FO2	7,111	A4			
2	TA-26	AS-CM-DH	FO10	7,065	A4			
2	TA-26 Plus	AS-CM-DX	FO2	7,551	A4			
2	TA-26 Plus	AS-CM-DH	FO10	7,505	A4			
2	TA-26-12	AS-CM-DX	FO2	8,371	A4			
2	TA-26-12	AS-CM-DH	FO10	8,325	A4			
<b>2910 TYPE 3 FRAME SER II</b>								
2	WL-21	AS-BD-CM-DH	FO2	6,780	A4			
2	WL-21	AS-CM-DH	FO10	6,757	A4			
2	TA-25	AS-CM-DX	FO2	5,851	A4			
2	TA-25	AS-CM-DH	FO10	5,805	A4			
2	TA-26	AS-CM-DW	FO17	5,759	A4			
2	TA-26	AS-CM-DX	FO2	7,111	A4			
2	TA-26	AS-CM-DH	FO10	7,065	A4			
2	TA-26 Plus	AS-CM-DX	FO2	7,551	A4			
2	TA-26 Plus	AS-CM-DH	FO10	7,505	A4			
2	TA-26-12	AS-CM-DX	FO2	8,371	A4			
2	TA-26-12	AS-CM-DH	FO10	8,325	A4			
<b>3000 TYPE 2 FRAME</b>								
2	TA-160	DH	FO50	5,522	INC			
4	TA-160	DH	FO50	5,522	INC			
<b>3000 TYPE 3 FRAME</b>								
2	TA-160	DH	FO51	5,545	INC			
2	WL-21	AS-BD-CM-DH	FO2	6,780	A4			
2	WL-21	AS-CM-DH	FO10	6,757	A4			
2	TA-25	AS-CM-DX	FO17	5,759	A4			
2	TA-25	AS-CM-DW	FO2	5,851	A4			
2	TA-25	AS-CM-DH	FO10	5,805	A4			
2	TA-26	AS-CM-DX	FO2	7,111	A4			
2	TA-26	AS-CM-DH	FO10	7,065	A4			
2	TA-26 Plus	AS-CM-DX	FO2	7,551	A4			
2	TA-26 Plus	AS-CM-DH	FO10	7,505	A4			
2	TA-26-12	AS-CM-DX	FO2	8,371	A4			
2	TA-26-12	AS-CM-DH	FO10	8,325	A4			
<b>3010S</b>								
2	WL-21		FO41	6,803	A4			
2	TA-25		FO41	5,851	A4			
2	TA-26		FO41	7,111	A4			
2	TA-26 Plus		FO41	7,551	A4			
2	TA-26-12		FO41	8,371	A4			

TRACTOR	LOADER SELECTION	MOUNTING BRACKETS	HYD.					
MODEL	WD	FIT	LOADER MODEL	FOOTNOTES	BRKT KIT	PACKAGE PRICE	REAR AXLE KIT	VALVE JOYSTICK PKG
<b>3230 TYPE 2 FRAME</b>								
2	WL-21	DH	FO50	5,522	INC			
4	WL-21	DH	FO50	5,522	INC			
<b>3230 TYPE 3 FRAME</b>								
2	TA-160	DH	FO51	5,545	INC			
<b>3415</b>								
2	TA-111	OH	111FO7	5,094	INC			
2	TA-160		FO57	5,453	INC			
2	TA-25	MF	FO33	5,690	A4			
<b>3430 TYPE 2 FRAME</b>								
2	TA-160	DH	FO50	5,522	INC			
4	TA-160	DH	FO50	5,522	INC			
<b>3430 TYPE 3 FRAME</b>								
2	TA-160	DH	FO51	5,545	INC			
<b>3600</b>								
2	WL-21	AS-AD-DW	21FO9	7,010	A4			
2	WL-21	AS-CM-DH	21FO12	6,711	A4			
<b>3600 TYPE 3 FRAME</b>								
2	TA-160	DH	FO51	5,545	INC			
2	WL-21	AS-CM-DH	FO10	6,757	A4			
2	TA-25	AS-CM-DX	FO2	5,851	A4			
2	TA-25	AS-CM-DH	FO10	5,805	A4			
2	TA-25	AS-DW	FO17	5,759	A4			
2	TA-26	AS-CM-DX	FO2	7,111	A4			
2	TA-26	AS-CM-DH	FO10	7,065	A4			
2	TA-26 Plus	AS-CM-DX	FO2	7,551	A4			
2	TA-26 Plus	AS-CM-DH	FO10	7,505	A4			
2	TA-26-12	AS-CM-DX	FO2	8,371	A4			
2	TA-26-12	AS-CM-DH	FO10	8,325	A4			
<b>3610 TYPE 2 FRAME</b>								
4	TA-25	AS-DH-EP	FO5	6,950	A4			
4	TA-26	AS-DH	FO5	6,950	A4			
4	TA-26 Plus	AS-DH	FO5	7,390	A4			
4	TA-26-12	AS-DH	FO5	8,210	A4			
<b>3610 TYPE 3 FRAME</b>								
2	TA-160	DH	FO51	5,545	INC			
2	WL-21	AS-BD-CM-DH	FO2	6,780	A4			
2	WL-21	AS-CM-DH	FO10	6,757	A4			
2	TA-25	AS-CM-DX	FO2	5,851	A4			
2	TA-25	AS-CM-DH	FO10	5,805	A4			
2	TA-25	AS-CM-DW	FO17	5,759	A4			
2	TA-26	AS-CM-DX	FO2	7,111	A4			
2	TA-26	AS-CM-DH	FO10	7,065	A4			
2	TA-26 Plus	AS-CM-DX	FO2	7,551	A4			
2	TA-26 Plus	AS-CM-DH	FO10	7,505	A4			
2	TA-26-12	AS-CM-DX	FO2	8,371	A4			
2	TA-26-12	AS-CM-DH	FO10	8,325	A4			
<b>3610 TYPE 3 FRAME SER II</b>								
2	WL-21	AS-BD-CM-DH	FO2	6,780	A4			
2	WL-21	AS-CM-DH	FO10	6,757	A4			
2	TA-25	AS-CM-DX	FO2	5,851	A4			
2	TA-25	AS-CM-DH	FO10	5,805	A4			
2	TA-25	AS-CM-DW	FO17	5,759	A4			
2	TA-26	AS-CM-DX	FO2	7,111	A4			
2	TA-26	AS-CM-DH	FO10	7,065	A4			
2	TA-26 Plus	AS-CM-DX	FO2	7,551	A4			
2	TA-26 Plus	AS-CM-DH	FO10	7,505	A4			
2	TA-26-12	AS-CM-DX	FO2	8,371	A4			
2	TA-26-12	AS-CM-DH	FO10	8,325	A4			
<b>3910 TYPE 2 FRAME</b>								
2	TA-160	DH	FO50	5,522	INC			
<b>3910 TYPE 2 FRAME SER II</b>								
4	TA-26	AS-DH	FO5	6,950	A4			
4	TA-26 Plus	AS-DH	FO5	7,390	A4			
4	TA-26-12	AS-DH	FO5	8,210	A4			
<b>3910 TYPE 3 FRAME</b>								
2	TA-160	DH	FO51	5,545	INC			
2	WL-21	AS-BD-CM-DH	FO2	6,780	A4			
2	WL-21	AS-CM-DH	FO10	6,757	A4			
2	TA-25	AS-CM-DX	FO2	5,851	A4			
2	TA-25	AS-CM-DH	FO10	5,805	A4			
2	TA-25	AS-CM-DW	FO17	5,759	A4			
2	TA-26	AS-CM-DX	FO2	7,111	A4			
2	TA-26	AS-CM-DH	FO10	7,065	A4			
2	TA-26 Plus	AS-CM-DX	FO2	7,551	A4			
2	TA-26 Plus	AS-CM-DH	FO10	7,505	A4			
2	TA-26-12	AS-CM-DX	FO2	8,371	A4			
2	TA-26-12	AS-CM-DH	FO10	8,325	A4			

TRACTOR	LOADER SELECTION	MOUNTING BRACKETS	HYD.					
MODEL	WD	FIT	LOADER MODEL	FOOTNOTES	BRKT KIT	PACKAGE PRICE	REAR AXLE KIT	VALVE JOYSTICK PKG
<b>3910 TYPE 3 FRAME SER II</b>								
2	WL-21	AS-BD-CM-DH	FO2	6,780	A4			
2	WL-21	AS-CM-DH	FO10	6,757	A4			
2	TA-25	AS-CM-DX	FO2	5,851	A4			
2	TA-25	AS-CM-DH	FO10	5,805	A4			
2	TA-26	AS-CM-DX	FO2	7,111	A4			
2	TA-26	AS-CM-DH	FO10	7,065	A4			
2	TA-26 Plus	AS-CM-DX	FO2	7,551	A4			
2	TA-26 Plus	AS-CM-DH	FO10	7,505	A4			
2	TA-26-12	AS-CM-DX	FO2	8,371	A4			
2	TA-26-12	AS-CM-DH	FO10	8,325	A4			
<b>3930 TYPE 2 FRAME</b>								
2	TA-160	DH	FO50	5,522	INC			
2	TA-25	AS-DH	FO5	6,950	A4			
2	TA-							



TRACTOR	LOADER SELECTION	MOUNTING BRACKETS	HYD.
MODEL WD	FIT LOADER MODEL FOOTNOTES	BRKT KIT PACKAGE PRICE REAR AXLE KIT VALVE JOYSTICK PKG	
<b>5610 TYPE 2 FRAME</b>			
2	WL-21 AK-AS	FO1▲ 6,734	A4
2	WL-27 AK-AS	FO1▲ 7,764	A4
2	TA-25 AS	FO1▲ 5,759	A4
2	TA-26 AK-AS	FO1▲ 7,019	A4
2	TA-26 Plus AK-AS	FO1▲ 7,459	A4
2	TA-26-12 AK-AS	FO1▲ 8,279	A4
2	TA-28 AS	FO1▲ 8,950	A4
2	TA-28 Plus AS	FO1▲ 9,490	A4
2	TA-29 AS	FO1▲ 9,845	A4
2	TA-45 AS	FO1▲ 9,620	A4
4	TA-26 AA-AO-AS-EL	FO12 7,272 INC	A4
4	TA-26 Plus AA-AO-AS-EL	FO12 7,712 INC	A4
4	TA-26-12 AA-AO-AS-EL	FO12 8,532 INC	A4
4	TA-28 AA-AO-AS-EG	FO12 9,157 INC	A4
4	TA-28 Plus AA-AO-AS-EG	FO12 9,697 INC	A4
4	TA-29 AA-AO-AS-EG	FO12 10,052 INC	A4
4	TA-45 AA-AO-AS-DH-EG	FO12 9,712 INC	A4
4	TA-46 AA-AO-AS-DH-EG-NK	FO12 11,062 INC	A4
<b>5610 TYPE 2 FRAME SER II</b>			
2	WL-21 AK-AS	FO1▲ 6,734	A4
2	WL-27 AK-AS	FO1▲ 7,764	A4
2	TA-25 AS	FO1▲ 5,759	A4
2	TA-26 AK-AS	FO1▲ 7,019	A4
2	TA-26 Plus AK-AS	FO1▲ 7,459	A4
2	TA-26-12 AK-AS	FO1▲ 8,279	A4
2	TA-28 AK-AS	FO1▲ 8,950	A4
2	TA-28 Plus AK-AS	FO1▲ 9,490	A4
2	TA-29 AK-AS	FO1▲ 9,845	A4
2	TA-45 AK-AS	FO1▲ 9,620	A4
4	TA-26 AA-AO-AS-EL	FO12 7,272 INC	A4
4	TA-26 Plus AA-AO-AS-EL	FO12 7,712 INC	A4
4	TA-26-12 AA-AO-AS-EL	FO12 8,532 INC	A4
4	TA-28 AA-AO-AS-EG	FO12 9,157 INC	A4
4	TA-28 Plus AA-AO-AS-EG	FO12 9,697 INC	A4
4	TA-29 AA-AO-AS-EG	FO12 10,052 INC	A4
4	TA-45 AA-AO-AS-DH-EG	FO12 9,712 INC	A4
4	TA-46 AA-AO-AS-DH-EG-NK	FO12 11,062 INC	A4
<b>5610 TYPE 2A FRAME</b>			
2	WL-42 AA-AS	42FO4 9,340 INC	A4
<b>5610 TYPE 2B FRAME</b>			
2	WL-42 AS	42FO3 8,995	A4
<b>5610 S TYPE 2 FRAME</b>			
2	WL-21 AK-AS	FO1▲ 6,734	A4
2	WL-27 AK-AS	FO1▲ 7,764	A4
2	TA-25 AS	FO1▲ 5,759	A4
2	TA-26 AK-AS	FO1▲ 7,019	A4
2	TA-26 Plus AK-AS	FO1▲ 7,459	A4
2	TA-26-12 AK-AS	FO1▲ 8,279	A4
2	TA-28 AK-AS	FO1▲ 8,950	A4
2	TA-28 Plus AK-AS	FO1▲ 9,490	A4
2	TA-29 AK-AS	FO1▲ 9,845	A4
2	TA-45 AK-AS	FO1▲ 9,620	A4
4	TA-26 AA-AO-AS-EL	FO12 7,272 INC	A4
4	TA-26 Plus AA-AO-AS-EL	FO12 7,712 INC	A4
4	TA-26-12 AA-AO-AS-EL	FO12 8,532 INC	A4
4	TA-28 AA-AO-AS-EG	FO12 9,157 INC	A4
4	TA-28 Plus AA-AO-AS-EG	FO12 9,697 INC	A4
4	TA-29 AA-AO-AS-EG	FO12 10,052 INC	A4
4	TA-45 AA-AO-AS-DH-EG	FO12 9,712 INC	A4
4	TA-46 AA-AO-AS-DH-EG-NK	FO12 11,062 INC	A4
<b>5610 S TYPE 2A FRAME</b>			
2	WL-42 AA-AS	42FO4 9,340 INC	A4
<b>5635</b>			
2	MAX 420 OI	NH125 9,000	A4
2	WL-21 GO-OI	FO49 6,849	A4
2	WL-27 GO-OI	FO49 7,879	A4
2	TA-25 OI	FO39▲ 5,874	A4
2	TA-26 OI	FO39▲ 7,134	A4
2	TA-26 Plus OI	FO39▲ 7,574	A4
2	TA-26-12 OI	FO39▲ 8,394	A4
2	TA-28 Plus NK-OI	FO42 9,674	A4
2	TA-29 NK-OI	FO42 10,029	A4
2	CC-330 EE-OI	NH35 8,715	A4
2	CC-340 OI	NH36 9,950	A4
4	MAX 420 EG-OI	NH125 9,000	A4
4	TA-26 AO-EE-OI	FO39▲ 7,134	A4
4	TA-26 Plus AO-EE-OI	FO39▲ 7,574	A4
4	TA-26-12 AO-EE-OI	FO39▲ 8,394	A4
4	TA-28 Plus AO-EG-NK-OI	FO42 9,674	A4
4	TA-29 AO-EG-NK-OI	FO42 10,029	A4
4	CC-330 EE-OI	NH35 8,715	A4
4	CC-340 EG-OI	NH36 9,950	A4

TRACTOR	LOADER SELECTION	MOUNTING BRACKETS	HYD.
MODEL WD	FIT LOADER MODEL FOOTNOTES	BRKT KIT PACKAGE PRICE REAR AXLE KIT VALVE JOYSTICK PKG	
<b>5640 LP</b>			
2	MAX 420 EY-MV-OI	FO63 9,000	A4/C4
2	WL-21 MV-EY-OI	FO26 6,849	A4/C4
2	WL-27 MV-EY-OI	FO26 7,879	A4/C4
2	WL-42 EY-OI	FO26 9,087	A4/C4
2	TA-25 MV-EY-OI	FO24▲ 5,851	A4/C4
2	TA-45 EY-OI	FO28 9,850	A4/C4
4	TA-45 EY-OI	FO28 9,850	A4/C4
<b>5640 S</b>			
2	MAX 420 EY-MV-OI	FO63 9,000	A4/C4
2	WL-21 MV-EY-OI	FO26 6,849	A4/C4
2	WL-27 MV-EY-OI	FO26 7,879	A4/C4
2	WL-42 EY-OI	FO26 9,087	A4/C4
2	TA-26 EY-MV-OI	FO24▲ 7,111	A4/C4
2	TA-26 Plus EY-MV-OI	FO24▲ 7,551	A4/C4
2	TA-26-12 EY-MV-OI	FO24▲ 8,371	A4/C4
2	TA-28 EY-MV-OI	FO24▲ 8,996	A4/C4
2	TA-28 Plus EY-MV-OI	FO25 9,720	A4/C4
2	TA-29 EY-MV-OI	FO25 10,075	A4/C4
2	TA-45 EY-MV-OI	FO25 9,781	A4/C4
4	TA-26 EY-MV-OI	FO24▲ 7,111	A4/C4
4	TA-26 Plus EY-MV-OI	FO24▲ 7,551	A4/C4
4	TA-26-12 EY-MV-OI	FO24▲ 8,371	A4/C4
4	TA-28 EY-MV-OI	FO24▲ 8,996	A4/C4
4	TA-28 Plus EY-MV-OI	FO25 9,720	A4/C4
4	TA-29 EY-MV-OI	FO25 10,075	A4/C4
4	TA-45 EY-MV-OI	FO25 9,781	A4/C4
<b>5640 SL</b>			
2	MAX 420 EY-MV-OI	FO63 9,000	A4/C4
2	WL-21 MV-EY-OI	FO26 6,849	A4/C4
2	WL-27 MV-EY-OI	FO26 7,879	A4/C4
2	WL-42 EY-OI	FO26 9,087	A4/C4
2	TA-26 EY-MV-OI	FO24▲ 7,111	A4/C4
2	TA-26 Plus EY-MV-OI	FO24▲ 7,551	A4/C4
2	TA-26-12 EY-MV-OI	FO24▲ 8,371	A4/C4
2	TA-28 EY-MV-OI	FO24▲ 8,996	A4/C4
2	TA-28 Plus EY-MV-OI	FO25 9,720	A4/C4
2	TA-29 EY-MV-OI	FO25 10,075	A4/C4
2	TA-45 EY-MV-OI	FO25 9,781	A4/C4
4	TA-26 EY-MV-OI	FO24▲ 7,111	A4/C4
4	TA-26 Plus EY-MV-OI	FO24▲ 7,551	A4/C4
4	TA-26-12 EY-MV-OI	FO24▲ 8,371	A4/C4
4	TA-28 EY-MV-OI	FO24▲ 8,996	A4/C4
4	TA-28 Plus EY-MV-OI	FO25 9,720	A4/C4
4	TA-29 EY-MV-OI	FO25 10,075	A4/C4
4	TA-45 EY-MV-OI	FO25 9,781	A4/C4
<b>5640 SLE</b>			
2	MAX 420 EY-MV-OI	FO63 9,000	A4/C4
2	WL-21 MV-EY-OI	FO26 6,849	A4/C4
2	WL-27 MV-EY-OI	FO26 7,879	A4/C4
2	WL-42 EY-OI	FO26 9,087	A4/C4
2	TA-25 EY-MV-OI	FO24▲ 5,851	A4/C4
2	TA-26 EY-MV-OI	FO24▲ 7,111	A4/C4
2	TA-26 Plus EY-MV-OI	FO24▲ 7,551	A4/C4
2	TA-26-12 EY-MV-OI	FO24▲ 8,371	A4/C4
2	TA-28 EY-MV-OI	FO24▲ 8,996	A4/C4
2	TA-28 Plus EY-MV-OI	FO25 9,720	A4/C4
2	TA-29 EY-MV-OI	FO25 10,075	A4/C4
2	TA-45 EY-MV-OI	FO25 9,781	A4/C4
4	TA-26 EY-MV-OI	FO24▲ 7,111	A4/C4
4	TA-26 Plus EY-MV-OI	FO24▲ 7,551	A4/C4
4	TA-26-12 EY-MV-OI	FO24▲ 8,371	A4/C4
4	TA-28 EY-MV-OI	FO24▲ 8,996	A4/C4
4	TA-28 Plus EY-MV-OI	FO25 9,720	A4/C4
4	TA-29 EY-MV-OI	FO25 10,075	A4/C4
4	TA-45 EY-MV-OI	FO25 9,781	A4/C4
<b>5900 TYPE 2 FRAME</b>			
2	WL-21 AK-AS	FO1▲ 6,734	A4
2	WL-27 AK-AS	FO1▲ 7,764	A4
2	TA-25 AS	FO1▲ 5,759	A4
2	TA-26 AK-AS	FO1▲ 7,019	A4
2	TA-26 Plus AK-AS	FO1▲ 7,459	A4
2	TA-26-12 AK-AS	FO1▲ 8,279	A4
<b>6000</b>			
2	WL-21	21FO14 6,842	A4
2	WL-27	27FO14 7,672	A4
2	WL-42	42FO5 8,995	A4
<b>6600</b>			
4	TA-26 AK-AS	FO56 7,042	A4
4	TA-26 Plus AK-AS	FO56 7,482	A4
4	TA-26-12 AK-AS	FO56 8,302	A4

TRACTOR	LOADER SELECTION	MOUNTING BRACKETS	HYD.
MODEL WD	FIT LOADER MODEL FOOTNOTES	BRKT KIT PACKAGE PRICE REAR AXLE KIT VALVE JOYSTICK PKG	
<b>6600 TYPE 2 FRAME</b>			
2	WL-21 AK-AS	FO1▲ 6,734	A4
2	WL-27 AK-AS	FO1▲ 7,764	A4
2	TA-25 AS	FO1▲ 5,759	A4
2	TA-26 AK-AS	FO1▲ 7,019	A4
2	TA-26 Plus AK-AS	FO1▲ 7,459	A4
2	TA-26-12 AK-AS	FO1▲ 8,279	A4
2	TA-28 AS	FO1▲ 8,950	A4
2	TA-28 Plus AS	FO1▲ 9,490	A4
2	TA-29 AS	FO1▲ 9,845	A4
2	TA-45 AK-AS	FO1▲ 9,620	A4
<b>6600 TYPE 2A FRAME</b>			
2	WL-42 AA-AS	42FO4 9,340 INC	A4
<b>6600 TYPE 2B FRAME</b>			
2	WL-42 AS	42FO3 8,995	A4
<b>6610 TYPE 2 FRAME</b>			
2	WL-21 AK-AS	FO1▲ 6,734	A4
2	WL-27 AK-AS	FO1▲ 7,764	A4
2	TA-25 AS	FO1▲ 5,759	A4
2	TA-26 AK-AS	FO1▲ 7,019	A4
2	TA-26 Plus AK-AS	FO1▲ 7,459	A4
2	TA-26-12 AK-AS	FO1▲ 8,279	A4
2	TA-28 AS	FO1▲ 8,950	A4
2	TA-28 Plus AS	FO1▲ 9,490	A4
2	TA-29 AS	FO1▲ 9,845	A4
2	TA-45 AK-AS	FO1▲ 9,620	A4
4	TA-26 AA-AO-AS-EL	FO12 7,272 INC	A4
4	TA-26 Plus AA-AO-AS-EL	FO12 7,712 INC	A4
4	TA-26-12 AA-AO-AS-EL	FO12 8,532 INC	A4
4	TA-28 AA-AO-AS-EG	FO12 9,157 INC	A4
4	TA-28 Plus AA-AO-AS-EG	FO12 9,674	A4
4	TA-29 AA-AO-AS-EG	FO12 10,052 INC	A4
4	TA-45 AA-AO-AS-DH-EG	FO12 9,712 INC	A4
4	TA-46 AA-AO-AS-DH-EG-NK	FO12 11,062 INC	A4
<b>6610 TYPE 2 FRAME SER II</b>			
2	WL-21 AK-AS	FO1▲ 6,734	A4
2	WL-27 AK-AS	FO1▲ 7,764	A4
2	TA-25 AS	FO1▲ 5,759	A4
2	TA-26 AK-AS	FO1▲ 7,019	A4
2	TA-26 Plus AK-AS	FO1▲ 7,459	A4
2	TA-26-12 AK-AS	FO12 7,272 INC	A4
2	TA-26 Plus AK-AS	FO1▲ 7,459	A4
2	TA-26 Plus AK-AS-EB	FO12 7,712 INC	A4
2	TA-26-12 AK-AS	FO1▲ 8,279	A4
2	TA-26-12 AK-AS-EB	FO12 8,532 INC	A4
2	TA-28 AK-AS	FO12 8,950	A4
2	TA-28 AS-EB	FO12 9,157 INC	A4
2	TA-28 Plus AK-AS	FO1▲ 9,490	A4
2	TA-28 Plus AS-EB	FO12 9,697 INC	A4
2	TA-29 AK-AS	FO1▲ 9,845	A4
2	TA-29 AS-EB	FO12 10,052 INC	A4
2	TA-45 AK-AS	FO1▲ 9,620	A4
2	TA-45 AS-DH-EG	FO12 9,712 INC	A4
4	TA-26 AA-AS	FO12 7,272 INC	A4
4	TA-26 Plus AA-AS	FO12 7,712 INC	A4
4	TA-26-12 AA-AS	FO12 8,532 INC	A4
4	TA-28 AA-AS	FO12 9,157 INC	A4
4	TA-28 Plus AA-AS	FO12 9,697 INC	A4
4	TA-29 AA-AS	FO12 10,052 INC	A4
4	TA-45 AA-AS-DH-EG	FO12 9,712 INC	A4
4	TA-46 AA-AS-DH-EG-NK	FO12 11,062 INC	A4
<b>6610 TYPE 2A FRAME</b>			
2	WL-42 AA-AS	42FO4 9,340 INC	A4
<b>6610 TYPE 2A FRAME SER II</b>			
2	WL-42 AA-AS	42FO4 9,340 INC	A4
<b>6610 TYPE 2B FRAME</b>			
2	WL-42 AS	42FO3 8,995	A4

TRACTOR	LOADER SELECTION	MOUNTING BRACKETS	HYD.
MODEL WD	FIT LOADER MODEL FOOTNOTES	BRKT KIT PACKAGE PRICE REAR AXLE KIT VALVE JOYSTICK PKG	
<b>6610 S TYPE 2 FRAME</b>			
2	WL-21 AK-AS	FO1▲ 6,734	A4
2	WL-27 AK-AS	FO1▲ 7,764	A4
2	TA-25 AS	FO1▲ 5,759	A4



TRACTOR	LOADER SELECTION	FOOTNOTES	BRKT KIT	PACKAGE PRICE	REAR AXLE KIT	VALVE JOYSTICK PKG
<b>7610 TYPE 2 FRAME</b>						
2	WL-27	AK-AS	FO1▲	7,764	A4	
2	TA-26	AK-AS	FO1▲	7,019	A4	
2	TA-26 Plus	AK-AS	FO1▲	7,459	A4	
2	TA-26-12	AK-AS	FO1▲	8,279	A4	
2	TA-28	AK-AS	FO1▲	8,950	A4	
2	TA-28 Plus	AK-AS	FO1▲	9,490	A4	
2	TA-29	AK-AS	FO1▲	9,845	A4	
2	TA-45	AK-AS	FO1▲	9,620	A4	
4	TA-26	AA-AO-AS-EL	FO12	7,272	INC	A4
4	TA-26 Plus	AA-AO-AS-EL	FO12	7,712	INC	A4
4	TA-26-12	AA-AO-AS-EL	FO12	8,532	INC	A4
4	TA-28	AA-AO-AS-EG	FO12	9,157	INC	A4
4	TA-28 Plus	AA-AO-AS-EG	FO12	9,697	INC	A4
4	TA-29	AA-AO-AS-EG	FO12	10,052	INC	A4
4	TA-45	AA-AO-AS-DHEG	FO12	9,712	INC	A4
4	TA-46	AA-AO-AS-DHEG-NK	FO12	11,062	INC	A4
<b>7610 TYPE 2 FRAME SER II</b>						
2	WL-27	AK-AS	FO1▲	7,764	A4	
2	TA-26	AK-AS-EB	FO12	7,272	INC	A4
2	TA-26	AK-AS	FO1▲	7,019	A4	
2	TA-26 Plus	AK-AS	FO1▲	7,459	A4	
2	TA-26 Plus	AK-AS-EB	FO12	7,712	INC	A4
2	TA-26-12	AK-AS	FO1▲	8,279	A4	
2	TA-26-12	AK-AS-EB	FO12	8,532	INC	A4
2	TA-28	AK-AS	FO1▲	8,950	A4	
2	TA-28	AS-EB	FO12	9,157	INC	A4
2	TA-28 Plus	AK-AS	FO1▲	9,490	A4	
2	TA-28 Plus	AS-EB	FO12	9,697	INC	A4
2	TA-29	AK-AS	FO1▲	9,845	A4	
2	TA-29	AS-EB	FO12	10,052	INC	A4
2	TA-45	AK-AS	FO1▲	9,620	A4	
2	TA-45	AS-DHEB-EG	FO12	9,712	INC	A4
4	TA-26	AA-AS	FO12	7,712	INC	A4
4	TA-26 Plus	AA-AS	FO12	7,712	INC	A4
4	TA-26-12	AA-AS	FO12	8,532	INC	A4
4	TA-28	AA-AS	FO12	9,157	INC	A4
4	TA-28 Plus	AA-AS	FO12	9,697	INC	A4
4	TA-29	AA-AS	FO12	10,052	INC	A4
4	TA-45	AA-AS-DHEG	FO12	9,712	INC	A4
<b>7610 TYPE 2A FRAME</b>						
2	WL-42	AA-AS	42FO4	9,340	INC	A4
<b>7610 TYPE 2A FRAME SER II</b>						
2	WL-42	AA-AS	42FO4	9,340	INC	A4
<b>7610 TYPE 2B FRAME</b>						
2	WL-42	AS	42FO3	8,995	A4	
<b>7610 S TYPE 2 FRAME</b>						
2	WL-27	AK-AS	FO1▲	7,764	A4	
2	TA-26	AK-AS	FO1▲	7,019	A4	
2	TA-26 Plus	AK-AS	FO1▲	7,459	A4	
2	TA-26-12	AK-AS	FO1▲	8,279	A4	
2	TA-28	AK-AS	FO1▲	8,950	A4	
2	TA-28 Plus	AK-AS	FO1▲	9,490	A4	
2	TA-29	AK-AS	FO1▲	9,845	A4	
2	TA-45	AK-AS	FO1▲	9,620	A4	
4	TA-26	AA-AO-AS-EL	FO12	7,272	INC	A4
4	TA-26 Plus	AA-AO-AS-EL	FO12	7,712	INC	A4
4	TA-26-12	AA-AO-AS-EL	FO12	8,532	INC	A4
4	TA-28	AA-AO-AS-EG	FO12	9,157	INC	A4
4	TA-28 Plus	AA-AO-AS-EG	FO12	9,697	INC	A4
4	TA-29	AA-AO-AS-EG	FO12	10,052	INC	A4
4	TA-45	AA-AO-AS-DHEG	FO12	9,712	INC	A4
4	TA-46	AA-AO-AS-DHEG-NK	FO12	11,062	INC	A4
<b>7610 S TYPE 2A FRAME</b>						
2	WL-42	AA-AS	42FO4	9,340	INC	A4
<b>7635</b>						
2	MAX 420	OI	NH125	9,000	A4	
2	WL-21	GO-OI	FO49	6,849	A4	
2	WL-27	GO-OI	FO49	7,879	A4	
2	TA-26	OI	FO39▲	7,134	A4	
2	TA-26 Plus	OI	FO39▲	7,574	A4	
2	TA-26-12	OI	FO39▲	8,394	A4	
2	TA-28 Plus	NK-OI	FO42	9,674	A4	
2	TA-29	NK-OI	FO42	10,029	A4	
2	CC-330	EE-OI	NH35	8,715	A4	
2	CC-340	OI	NH36	9,950	A4	
4	MAX 420	EG-OI	NH125	9,000	A4	
4	TA-26	AO-EE-OI	FO39▲	7,134	A4	
4	TA-26 Plus	AO-EE-OI	FO39▲	7,574	A4	
4	TA-26-12	AO-EE-OI	FO39▲	8,394	A4	
4	TA-28 Plus	AO-EG-NK-OI	FO42	9,674	A4	
4	TA-29	AO-EG-NK-OI	FO42	10,029	A4	
4	CC-330	EE-OI	NH35	8,715	A4	
4	CC-340	EG-OI	NH36	9,950	A4	

▲ Stock Mounting Kit • ☑ Best Fit(s) • See Appendix for Footnotes and Frame Identification on pages 159-167

P140 • TOLL FREE 866-423-2762 • PH (712) 423-2762 • FAX (712) 423-1460 • WWW.LOADERS.COM

If you cannot find the tractor that you wish to mount, please call. We fit new tractors daily. All prices and price classes are subject to change without notice.

TRACTOR	LOADER SELECTION	FOOTNOTES	BRKT KIT	PACKAGE PRICE	REAR AXLE KIT	VALVE JOYSTICK PKG
<b>7700</b>						
2	WL-42	AA	42FO8	9,340	INC	A4
<b>7700 TYPE 2 FRAME</b>						
2	MAX 420	AK-AS	FO62	9,000	A4	
2	WL-21	AK-AS	FO1▲	6,734	A4	
2	WL-27	AK-AS	FO1▲	7,764	A4	
2	TA-26	AK-AS	FO1▲	7,019	A4	
2	TA-26 Plus	AK-AS	FO1▲	7,459	A4	
2	TA-26-12	AK-AS	FO1▲	8,279	A4	
2	TA-28	AK-AS	FO1▲	8,950	A4	
2	TA-28 Plus	AK-AS	FO1▲	9,490	A4	
2	TA-29	AK-AS	FO1▲	9,845	A4	
2	TA-45	AK-AS	FO1▲	9,620	A4	
2	TA-26	AS	FO1▲	8,950	A4	
2	TA-28 Plus	AS	FO1▲	9,490	A4	
2	TA-29	AS	FO1▲	9,845	A4	
2	TA-45	AK-AS	FO1▲	9,620	A4	
2	TA-46	AK	FO1▲	10,970	A4	
2	TA-48	AK	FO1▲	12,135	A4	
<b>7710</b>						
2	WL-42	AA	42FO8	9,340	INC	A4
4	WL-42	AA-AM-AR-DY	42FO11	9,363	INC	A4
<b>7710 TYPE 2 FRAME</b>						
2	MAX 420	AK-AS	FO62	9,000	A4	
2	TA-26	AK-AS	FO1▲	7,019	A4	
2	TA-26 Plus	AK-AS	FO1▲	7,459	A4	
2	TA-26-12	AK-AS	FO1▲	8,279	A4	
2	TA-28	AS	FO1▲	8,950	A4	
2	TA-28 Plus	AS	FO1▲	9,490	A4	
2	TA-29	AS	FO1▲	9,845	A4	
2	TA-45	AK-AS	FO1▲	9,620	A4	
2	TA-46	AK	FO1▲	10,970	A4	
2	TA-48	AK	FO1▲	12,135	A4	
4	TA-26	AA-AO-AS-EL	FO12	7,272	INC	A4
4	TA-26 Plus	AA-AO-AS-EL	FO12	7,712	INC	A4
4	TA-26-12	AA-AO-AS-EL	FO12	8,532	INC	A4
4	TA-28	AA-AO-AS-EG	FO12	9,157	INC	A4
4	TA-28 Plus	AA-AO-AS-EG	FO12	9,697	INC	A4
4	TA-29	AA-AO-AS-EG	FO12	10,052	INC	A4
4	TA-45	AA-AO-AS-EG	FO12	9,712	INC	A4
4	TA-46	AA-AO-AS-EG-NK	FO12	11,062	INC	A4
4	TA-48	AA-AO-AS-DHEG	FO12	12,503	INC	A4
<b>7710 TYPE 2 FRAME SER II</b>						
2	MAX 420	AK-AS	FO62	9,000	A4	
2	TA-26	AK-AS-EB	FO12	7,272	INC	A4
2	TA-26 Plus	AK-AS-EB	FO12	7,712	INC	A4
2	TA-26-12	AK-AS-EB	FO12	8,532	INC	A4
2	TA-28	AS-EB-EG	FO12	9,157	INC	A4
2	TA-28 Plus	AS-EB-EG	FO12	9,697	INC	A4
2	TA-29	AS-EB-EG	FO12	10,052	INC	A4
2	TA-45	AS-DHEB-EG	FO12	9,712	INC	A4
4	TA-28	AA-EG-AS	FO12	9,157	INC	A4
4	TA-28 Plus	AA-EG-AS	FO12	9,697	INC	A4
4	TA-29	AA-EG-AS	FO12	10,052	INC	A4
4	TA-45	AA-EG-AS	FO12	9,712	INC	A4
4	TA-46	AA-AS-EG-NK	FO12	11,062	INC	A4
4	TA-48	AA-AS-DHEG	FO12	12,503	INC	A4
<b>7740LP</b>						
2	MAX 420	EY-MV-OI	FO63	9,000	A4/C4	
2	WL-21	MV-EY-OI	FO26	6,849	A4/C4	
2	WL-27	MV-EY-OI	FO26	7,879	A4/C4	
2	WL-42	EY-OI	FO26	9,087	A4/C4	
2	TA-25	MV-EY-OI	FO24▲	5,851	A4/C4	
2	TA-26	EY-MV-OI	FO24▲	7,111	A4/C4	
2	TA-26 Plus	EY-MV-OI	FO24▲	7,551	A4/C4	
2	TA-26-12	EY-MV-OI	FO24▲	8,371	A4/C4	
2	TA-28	EY-MV-OI	FO24▲	8,996	A4/C4	
2	TA-28 Plus	EY-MV-OI	FO24▲	9,720	A4/C4	
2	TA-29	EY-MV-OI	FO25	10,075	A4/C4	
2	TA-45	EY-OI	FO28	9,850	A4/C4	
4	TA-26	EY-MV-OI	FO24▲	7,111	A4/C4	
4	TA-26 Plus	EY-MV-OI	FO24▲	7,551	A4/C4	
4	TA-26-12	EY-MV-OI	FO24▲	8,371	A4/C4	
4	TA-28	EY-MV-OI	FO24▲	8,996	A4/C4	
4	TA-28 Plus	EY-MV-OI	FO24▲	9,720	A4/C4	
4	TA-29	EY-MV-OI	FO25	10,075	A4/C4	
4	TA-45	EY-OI	FO28	9,850	A4/C4	
<b>7810</b>						
2	WL-21		FO61	6,780	A4	
2	WL-27		FO61	7,810	A4	
2	TA-26		FO61	7,065	A4	
2	TA-26 Plus		FO61	7,505	A4	
2	TA-26-12		FO61	8,325	A4	
2	TA-28		FO61	8,950	A4	
2	TA-28 Plus		FO61	9,490	A4	
2	TA-29		FO61	9,845	A4	
2	TA-26 Plus		FO61	7,505	A4	
2	TA-26-12		FO61	8,325	A4	
2	TA-28		FO61	8,950	A4	
2	TA-28 Plus		FO61	9,490	A4	
2	TA-29		FO61	9,845	A4	
4	TA-28	AO-EG	FO40	9,065	A4	
4	TA-28 Plus	AO-EG	FO40	9,605	A4	
4	TA-29	AO-EG	FO40	9,960	A4	
4	TA-45	AO-EG	FO40	9,689	A4	
4	TA-46	AO-EG	FO40	11,062	A4	
4	TA-48	AO-EG	FO40	12,273	A4	
4	TA-76	AO-EG	FO40	12,595	A4	
4	TA-77	AO-EG	FO40	13,265	A4	

▲ Stock Mounting Kit • ☑ Best Fit(s) • See Appendix for Footnotes and Frame Identification on pages 159-167



TRACTOR	LOADER SELECTION	MOUNTING BRACKETS	HYD.						
MODEL	WD	FIT	LOADER MODEL	FOOTNOTES	BRKT	KIT	PACKAGE PRICE	REAR AXLE KIT	VALVE JOYSTICK PKG
<b>8600</b>	2	<input checked="" type="checkbox"/>	WL-42		FO3		9,087		A4
	2		TA-26		FO3		7,226		A4
	2		TA-26 Plus		FO3		7,666		A4
	2		TA-26-12		FO3		8,486		A4
	2		TA-28	MT	FO3		9,111		A4
	2		TA-28 Plus	MT	FO3		9,651		A4
	2		TA-29	MT	FO3		10,006		A4
	2		TA-45		FO3		9,712		A4
2		TA-46		FO3		11,062		A4	
2		TA-48		FO3		12,319		A4	
<b>8630</b>	2		WL-42	AA	42FO9		9,409	INC	A4
	2		TA-26		FO9		7,088		A4
	2		TA-26 Plus		FO9		7,528		A4
	2		TA-26-12		FO9		8,348		A4
	2	<input checked="" type="checkbox"/>	TA-28	NK	FO9		8,996		A4
	2		TA-28 Plus	NK	FO9		9,536		A4
	2		TA-29	NK	FO9		9,891		A4
	2		TA-45	NK	FO9		9,620		A4
2		TA-46		FO9		10,970		A4	
2		TA-48		FO9		12,135		A4	
4	<input checked="" type="checkbox"/>	TA-28		FO22		9,042		A4	
4		TA-28 Plus		FO22		9,628		A4	
4		TA-29	NK	FO22		9,983		A4	
4		TA-45		FO22		9,620		A4	
4		TA-46	EH	FO23		10,970		A4	
4		TA-46A	EH-NK	FO7		11,177		A4	
4		TA-48	EH	FO7		12,342		A4	
<b>8670</b>	2	<input checked="" type="checkbox"/>	WL-42	MR	FO38		8,995		C4
	2		TA-46	MR	FO38		10,970		C4
	2		TA-48	MR	FO38		12,135		C4
	2		TA-76	MR	FO38		12,595		C4
	2		TA-77	MR	FO38		13,265		C4
	2		FM-570	MR	NH90		17,475		C4
	4	<input checked="" type="checkbox"/>	TA-46	AO-EJ-MR-MT-NR	FO32		10,970		C4
	4		TA-48	AO-EJ-MT-MR-NR	FO32		12,135		C4
4		XTA-700	MR-NR	700FO2		13,265		C4	
4	<input checked="" type="checkbox"/>	XTA-700A	MR-NZ	700AFO3		13,265		C4	
4		CC-370	MR-NR	700FO2		14,555		C4	
4	<input checked="" type="checkbox"/>	FM-570	MR-NJ	NH103		17,475		C4	
<b>8670A</b>	2	<input checked="" type="checkbox"/>	WL-42	MR	FO38		8,995		C4
	2		TA-46	MR	FO38		10,970		C4
	2		TA-48	MR	FO38		12,135		C4
	2		TA-76	MR	FO38		12,595		C4
	2		TA-77	MR	FO38		13,265		C4
	2		FM-570	MR	NH90		17,475		C4
	4		XTA-700A	GA-MR-NZ	700AFO3		13,265		C4
	4	<input checked="" type="checkbox"/>	FM-570	MR-NJ	NH103		17,475		C4
<b>8700</b>	2	<input checked="" type="checkbox"/>	WL-42		42FO7		8,995		A4
	2		TA-26		FO9		7,088		A4
	2		TA-26 Plus		FO9		7,528		A4
	2		TA-26-12		FO9		8,348		A4
	2		TA-28	NK	FO9		8,996		A4
	2		TA-28 Plus	NK	FO9		9,536		A4
	2		TA-29	NK	FO9		9,891		A4
	2		TA-45	NK	FO9		9,620		A4
2		TA-46		FO9		10,970		A4	
2		TA-48		FO9		12,135		A4	
<b>8730</b>	2		TA-28	NK	FO9		8,996		A4
	2		TA-28 Plus	NK	FO9		9,536		A4
	2		TA-29	NK	FO9		9,891		A4
	2	<input checked="" type="checkbox"/>	TA-46	NK	FO8		11,177		A4
	2		TA-48		FO14		12,641		A4
	2		TA-76		FO8		12,595		A4
	4		TA-46	AO-EJ-NK	FO8		11,177		A4
	4		TA-46A	AO-EJ	FO14		11,476		A4
4		TA-48	AO-EJ	FO14		12,641		A4	
4	<input checked="" type="checkbox"/>	TA-76		FO8		12,595		A4	
4		TA-77		FO8		13,265		A4	

TRACTOR	LOADER SELECTION	MOUNTING BRACKETS	HYD.						
MODEL	WD	FIT	LOADER MODEL	FOOTNOTES	BRKT	KIT	PACKAGE PRICE	REAR AXLE KIT	VALVE JOYSTICK PKG
<b>8770</b>	2	<input checked="" type="checkbox"/>	WL-42	MR	FO38		8,995		C4
	2		TA-46	MR	FO38		10,970		C4
	2		TA-48	MR	FO38		12,135		C4
	2		TA-76	MR	FO38		12,595		C4
	2		TA-77	MR	FO38		13,265		C4
	2		FM-570	MR	NH90		17,475		C4
	4	<input checked="" type="checkbox"/>	TA-46	AO-EJ-MR-MT-NR	FO32		10,970		C4
	4		TA-48	AO-EJ-MT-MR-NR	FO32		12,135		C4
4		XTA-700	AO-EJ-MT-MR-NR	700FO2		13,265		C4	
4	<input checked="" type="checkbox"/>	XTA-700A	MR-NZ	700AFO3		13,265		C4	
4		CC-370	AO-EJ-MT-MR-NR	700FO2		14,555		C4	
4	<input checked="" type="checkbox"/>	FM-570	MR-NJ	NH103		17,475		C4	
<b>8770A</b>	2	<input checked="" type="checkbox"/>	WL-42	MR	FO38		8,995		C4
	2		TA-46	MR	FO38		10,970		C4
	2		TA-48	MR	FO38		12,135		C4
	2		TA-76	MR	FO38		12,595		C4
	2		TA-77	MR	FO38		13,265		C4
	2		FM-570	MR	NH90		17,475		C4
	4		XTA-700A	GA-MR-NZ	700AFO3		13,265		C4
	4	<input checked="" type="checkbox"/>	FM-570	MR-NJ	NH103		17,475		C4
<b>8830</b>	2		TA-28	NK	FO9		8,996		A4
	2		TA-28 Plus	NK	FO9		9,536		A4
	2		TA-29	NK	FO9		9,891		A4
	2	<input checked="" type="checkbox"/>	TA-46	NK	FO8		11,177		A4
	2		TA-48		FO14		12,641		A4
	2		TA-76		FO8		12,595		A4
	4		TA-46	AO-EJ-NK	FO8		11,177		A4
	4	<input checked="" type="checkbox"/>	TA-76		FO8		12,595		A4
4		TA-77		FO8		13,265		A4	
4		XTA-700		700FO1▲		13,265		A4	
4		CC-370		700FO1▲		14,555		A4	
<b>8870</b>	2	<input checked="" type="checkbox"/>	WL-42	MR	FO38		8,995		C4
	2		TA-46	MR	FO38		10,970		C4
	2		TA-48	MR	FO38		12,135		C4
	2		TA-76	MR	FO38		12,595		C4
	2		TA-77	MR	FO38		13,265		C4
	2		FM-570	MR	NH90		17,475		C4
	4	<input checked="" type="checkbox"/>	TA-46	AO-EJ-MR-MT-NR	FO32		10,970		C4
	4		TA-48	AO-EJ-MT-MR-NR	FO32		12,135		C4
4		XTA-700	AO-EJ-MT-MR-NR	700FO2		13,265		C4	
4	<input checked="" type="checkbox"/>	XTA-700A	MR-NZ	700AFO3		13,265		C4	
4		CC-370	AO-EJ-MT-MR-NR	700FO2		14,555		C4	
4	<input checked="" type="checkbox"/>	FM-570	MR-NJ	NH103		17,475		C4	
<b>8870A</b>	2	<input checked="" type="checkbox"/>	WL-42	MR	FO38		8,995		C4
	2		TA-46	MR	FO38		10,970		C4
	2		TA-48	MR	FO38		12,135		C4
	2		TA-76	MR	FO38		12,595		C4
	2		TA-77	MR	FO38		13,265		C4
	2		FM-570	MR	NH90		17,475		C4
	4		XTA-700A	GA-MR-NZ	700AFO3		13,265		C4
	4	<input checked="" type="checkbox"/>	FM-570	MR-NJ	NH103		17,475		C4
<b>8970</b>	2	<input checked="" type="checkbox"/>	WL-42	MR	FO38		8,995		C4
	2		TA-46	MR	FO38		10,970		C4
	2		TA-48	MR	FO38		12,135		C4
	2		TA-76	MR	FO38		12,595		C4
	2		TA-77	MR	FO38		13,265		C4
	2		FM-570	MR	NH90		17,475		C4
	4	<input checked="" type="checkbox"/>	TA-46	AO-EJ-MR-MT-NR	FO32		10,970		C4
	4		TA-48	AO-EJ-MT-MR-NR	FO32		12,135		C4
4		XTA-700	AO-EJ-MT-MR-NR	700FO2		13,265		C4	
4	<input checked="" type="checkbox"/>	XTA-700A	MR-NZ	700AFO3		13,265		C4	
4		CC-370	AO-EJ-MT-MR-NR	700FO2		14,555		C4	
4	<input checked="" type="checkbox"/>	FM-570	MR-NJ	NH103		17,475		C4	
<b>8970A</b>	2	<input checked="" type="checkbox"/>	WL-42	MR	FO38		8,995		C4
	2		TA-46	MR	FO38		10,970		C4
	2		TA-48	MR	FO38		12,135		C4
	2		TA-76	MR	FO38		12,595		C4
	2		TA-77	MR	FO38		13,265		C4
	2		FM-570	MR	NH90		17,475		C4
	4		XTA-700A	GA-MR-NZ	700AFO3		13,265		C4
	4	<input checked="" type="checkbox"/>	FM-570	MR-NJ	NH103		17,475		C4

TRACTOR	LOADER SELECTION	MOUNTING BRACKETS	HYD.						
MODEL	WD	FIT	LOADER MODEL	FOOTNOTES	BRKT	KIT	PACKAGE PRICE	REAR AXLE KIT	VALVE JOYSTICK PKG
<b>9000</b>	2	<input checked="" type="checkbox"/>	WL-42		FO3		9,087		A4
	2		TA-26		FO3		7,226		A4
	2		TA-26 Plus		FO3		7,666		A4
	2		TA-26-12		FO3		8,486		A4
	2		TA-28	MT	FO3		9,111		A4
	2		TA-28 Plus	MT	FO3		9,651		A4
	2		TA-29	MT	FO3		10,006		A4
	2		TA-45		FO3		9,712		A4
2		TA-46		FO3		11,062		A4	
2		TA-48		FO3		12,319		A4	
4		TA-26		FO3		7,226		A4	
4		TA-26 Plus		FO3		7,666		A4	

TRACTOR	LOADER SELECTION	FOOTNOTES	BRKT KIT	PACKAGE PRICE	REAR AXLE KIT	VALVE JOYSTICK PKG
<b>T4040</b>	2	WL-21	DH-DL-NX-OI	NH54	6,872	A4
	2	WL-27	DH-DL-NX-OI	NH54	7,902	A4
	2	TA-25	DH-DL-NX-OI	NH55	5,874	A4
	2	TA-26	DH-DL-NX-OI	NH55	7,134	A4
	2	TA-26 Plus	DH-DL-NX-OI	NH55	7,574	A4
	2	TA-26-12	DH-DL-NX-OI	NH55	8,394	A4
	4	TA-26	AO-DH-DL-EM-MT-NR-NX	NH92	7,065	A4
	4	TA-26	AO-DH-DL-EM-MT-NR-NY	NH92	7,065	A4
	4	TA-26 Plus	AO-DH-DL-EM-MT-NR-NX	NH92	7,505	A4
	4	TA-26 Plus	AO-DH-DL-EM-MT-NR-NY	NH92	7,505	A4
4	TA-26-12	AO-DH-DL-EM-MT-NR-NX	NH92	8,325	A4	
4	TA-26-12	AO-DH-DL-EM-MT-NR-NY	NH92	8,325	A4	
4	CC-330	AO-DH-DL-EM-MT-NR-NX	NH95	8,715	A4	
4	CC-330	AO-DH-DL-EM-MT-NR-NY	NH95	8,715	A4	
<b>T4050</b>	2	WL-21	DH-DL-NX-OI	NH54	6,872	A4
	2	WL-27	DH-DL-NX-OI	NH54	7,902	A4
	2	TA-25	DH-DL-NX-OI	NH55	5,874	A4
	2	TA-26	DH-DL-NX-OI	NH55	7,134	A4
	2	TA-26 Plus	DH-DL-NX-OI	NH55	7,574	A4
	2	TA-26-12	DH-DL-NX-OI	NH55	8,394	A4
	4	TA-26	AO-DH-DL-EM-MT-NR-NX	NH92	7,065	A4
	4	TA-26	AO-DH-DL-EM-MT-NR-NY	NH92	7,065	A4
	4	TA-26 Plus	AO-DH-DL-EM-MT-NR-NX	NH92	7,505	A4
	4	TA-26 Plus	AO-DH-DL-EM-MT-NR-NY	NH92	7,505	A4
4	TA-26-12	AO-DH-DL-EM-MT-NR-NX	NH92	8,325	A4	
4	TA-26-12	AO-DH-DL-EM-MT-NR-NY	NH92	8,325	A4	
4	CC-330	AO-DH-DL-EM-MT-NR-NX	NH95	8,715	A4	
4	CC-330	AO-DH-DL-EM-MT-NR-NY	NH95	8,715	A4	
<b>T5040</b>	4	MAX 420	EG-NY-OI	NH121	8,900	A4
	4	MAX 420	EG-NX-OI	NH122	8,900	A4
	4	TA-26	AO-EG-MT-NK-NX	CD100	7,134	A4
	4	TA-26	AO-EG-MT-NK-NY	NH63	6,950	A4
	4	TA-26 Plus	AO-EG-MT-NX	CD100	7,574	A4
	4	TA-26 Plus	AO-EG-MT-NY	NH63	7,390	A4
	4	TA-26-12	AO-EG-MT-NX	CD100	8,394	A4
	4	TA-26-12	AO-EG-MT-NY	NH63	8,210	A4
	4	CC-340	AO-EG-MT-NX	CD98	9,950	A4
	4	CC-340	AO-EG-MT-NY	NH94	9,950	A4
4	FM-540	AO-EG-MT-NX	NH78	10,900	A4	
4	FM-540	AO-EG-MT-NY	NH77	10,900	A4	
<b>T5050</b>	4	MAX 420	EG-NY-OI	NH121	8,900	A4
	4	MAX 420	EG-NX-OI	NH122	8,900	A4
	4	TA-26	AO-EG-MT-NK-NX	CD100	7,134	A4
	4	TA-26	AO-EG-MT-NK-NY	NH63	6,950	A4
	4	TA-26 Plus	AO-EG-MT-NX	CD100	7,574	A4
	4	TA-26 Plus	AO-EG-MT-NY	NH63	7,390	A4
	4	TA-26-12	AO-EG-MT-NX	CD100	8,394	A4
	4	TA-26-12	AO-EG-MT-NY	NH63	8,210	A4
	4	CC-340	AO-EG-MT-NX	CD98	9,950	A4
	4	CC-340	AO-EG-MT-NY	NH94	9,950	A4
4	FM-540	AO-EG-MT-NX	NH78	10,900	A4	
4	FM-540	AO-EG-MT-NY	NH77	10,900	A4	
<b>T5060</b>	4	MAX 420	EG-NY-OI	NH121	8,900	A4
	4	MAX 420	EG-NX-OI	NH122	8,900	A4
	4	TA-26	AO-EG-MT-NK-NX	CD100	7,134	A4
	4	TA-26	AO-EG-MT-NK-NY	NH63	6,950	A4
	4	TA-26 Plus	AO-EG-MT-NX	CD100	7,574	A4
	4	TA-26 Plus	AO-EG-MT-NY	NH63	7,390	A4
	4	TA-26-12	AO-EG-MT-NX	CD100	8,394	A4
	4	TA-26-12	AO-EG-MT-NY	NH63	8,210	A4
	4	CC-340	AO-EG-MT-NX	CD98	9,950	A4
	4	CC-340	AO-EG-MT-NY	NH94	9,950	A4
4	FM-540	AO-EG-MT-NX	NH78	10,900	A4	
4	FM-540	AO-EG-MT-NY	NH77	10,900	A4	

TRACTOR	LOADER SELECTION	FOOTNOTES	BRKT KIT	PACKAGE PRICE	REAR AXLE KIT	VALVE JOYSTICK PKG
<b>T5070</b>	4	MAX 420	EG-NY-OI	NH121	8,900	A4
	4	MAX 420	EG-NX-OI	NH122	8,900	A4
	4	TA-26	AO-EG-MT-NK-NX	CD100	7,134	A4
	4	TA-26	AO-EG-MT-NK-NY	NH63	6,950	A4
	4	TA-26 Plus	AO-EG-MT-NX	CD100	7,574	A4
	4	TA-26 Plus	AO-EG-MT-NY	NH63	7,390	A4
	4	TA-26-12	AO-EG-MT-NX	CD100	8,394	A4
	4	TA-26-12	AO-EG-MT-NY	NH63	8,210	A4
	4	CC-340	AO-EG-MT-NX	CD98	9,950	A4
	4	CC-340	AO-EG-MT-NY	NH94	9,950	A4
4	FM-540	AO-EG-MT-NX	NH78	10,900	A4	
4	FM-540	AO-EG-MT-NY	NH77	10,900	A4	
<b>T6010</b>	2	MAX 440	EY-NY-OI	NH134	9,900	A4/C4
	2	MAX 440	EY-NX-OI	NH135	9,900	A4/C4
	2	TA-28	EY-NX	NH67	9,065	A4/C4
	2	TA-28	EY-NX	NH68	9,065	A4/C4
	2	TA-28 Plus	EY-NX	NH67	9,605	A4/C4
	2	TA-28 Plus	EY-NX	NH68	9,605	A4/C4
	2	TA-29	EY-NX	NH67	9,960	A4/C4
	2	TA-29	EY-NX	NH68	9,960	A4/C4
	4	MAX 440	EY-NR-NY-OI	NH134	9,900	A4/C4
	4	MAX 440	EY-NR-NX-OI	NH135	9,900	A4/C4
4	TA-26	AO-EG-EY-MT-NR-NY	NH17	7,157	A4/C4	
4	TA-26	AO-EG-EY-MT-NR-NX	NH22	7,180	A4/C4	
4	TA-26 Plus	AO-EG-EY-MT-NR-NY	NH17	7,597	A4/C4	
4	TA-26 Plus	AO-EG-EY-MT-NR-NX	NH22	7,620	A4/C4	
4	TA-26-12	AO-EG-EY-MT-NR-NY	NH17	8,417	A4/C4	
4	TA-26-12	AO-EG-EY-MT-NR-NX	NH22	8,440	A4/C4	
4	TA-28 Plus	AO-EG-EY-MT-NR-NY	NH17	9,536	A4/C4	
4	TA-28 Plus	AO-EG-EY-MT-NR-NX	NH22	9,559	A4/C4	
4	TA-29	AO-EG-EY-MT-NR-NY	NH17	9,891	A4/C4	
4	TA-29	AO-EG-EY-MT-NR-NX	NH22	9,914	A4/C4	
4	CC-340	EY-NR-NY	NH18	9,950	A4/C4	
4	CC-340	EY-NR-NX	NH23	9,950	A4/C4	
4	FM-540	EY-NR-NY	NH75	10,900	A4/C4	
4	FM-540	EY-NR-NX	NH76	10,900	A4/C4	
<b>T6020</b>	2	MAX 440	EY-NY-OI	NH134	9,900	A4/C4
	2	MAX 440	EY-NX-OI	NH135	9,900	A4/C4
	4	MAX 440	EY-NR-NY-OI	NH134	9,900	A4/C4
	4	MAX 440	EY-NR-NX-OI	NH135	9,900	A4/C4
	4	TA-26	AO-EG-EY-MT-NR-NY	NH17	7,157	A4/C4
	4	TA-26	AO-EG-EY-MT-NR-NX	NH22	7,180	A4/C4
	4	TA-26 Plus	AO-EG-EY-MT-NR-NY	NH17	7,597	A4/C4
	4	TA-26 Plus	AO-EG-EY-MT-NR-NX	NH22	7,620	A4/C4
	4	TA-26-12	AO-EG-EY-MT-NR-NY	NH17	8,417	A4/C4
	4	TA-26-12	AO-EG-EY-MT-NR-NX	NH22	8,440	A4/C4
4	TA-28 Plus	AO-EG-EY-MT-NR-NY	NH17	9,536	A4/C4	
4	TA-28 Plus	AO-EG-EY-MT-NR-NX	NH22	9,559	A4/C4	
4	TA-29	AO-EG-EY-MT-NR-NY	NH17	9,891	A4/C4	
4	TA-29	AO-EG-EY-MT-NR-NX	NH22	9,914	A4/C4	
4	CC-340	EY-NR-NY	NH18	9,950	A4/C4	
4	CC-340	EY-NR-NX	NH23	9,950	A4/C4	
4	FM-540	EY-NR-NY	NH75	10,900	A4/C4	
4	FM-540	EY-NR-NX	NH76	10,900	A4/C4	

TRACTOR	LOADER SELECTION	FOOTNOTES	BRKT KIT	PACKAGE PRICE	REAR AXLE KIT	VALVE JOYSTICK PKG
<b>T6030</b>	2	TA-26	MR-NK-NY	NH99	7,065	A4/C4
	2	TA-26 Plus	MR-NY	NH99	7,505	A4/C4
	2	TA-26-12	MR-NY	NH99	8,325	A4/C4
	2	TA-28	EY-NY	NH39	9,111	A4/C4
	2	TA-28	EY-NX	NH40	9,065	A4/C4
	2	TA-28 Plus	EY-NX	NH40	9,605	A4/C4
	2	TA-28 Plus	EY-NY	NH39	9,651	A4/C4
	2	TA-29	EY-NY	NH39	10,006	A4/C4
	2	TA-29	EY-NX	NH40	9,960	A4/C4
	4	MAX 440	EY-NR-NY-OI	NH124	9,900	A4/C4
4	MAX 440	EY-NR-NX-OI	NH123	9,900	A4/C4	
4	TA-28	AO-EG-EY-MT-NR-NX	NH20	8,996	A4/C4	
4	TA-28 Plus	AO-EG-EY-MT-NR-NX	NH20	9,605	A4/C4	
4	TA-28 Plus	AO-EG-EY-MT-NR-NY	NH25	9,582	A4/C4	
4	TA-29	AO-EG-EY-MT-NR-NX	NH20	9,960	A4/C4	
4	TA-29	AO-EG-EY-MT-NR-NY	NH25	9,937	A4/C4	
4	TA-46A	AO-DE-EY-MT-NR-NX	NH20	11,039	A4/C4	
4	TA-48	AO-DE-EY-MT-NR-NX	NH20	12,204	A4/C4	
4	XTA-400	EY-NR-NX	NH21	11,958	A4/C4	
4	XTA-400	EY-NR-NY	NH28	11,889	A4/C4	
4	CC-340	EY-NR-NX	NH19	9,950	A4/C4	
4	CC-340	EY-NR-NY	NH26	9,950	A4/C4	
4	CC-360	EY-NR-NY	NH27	11,995	A4/C4	
4	CC-360	EY-NR-NX	NH38	11,995	A4/C4	
4	FM-540	EY-NR-NY	NH73	10,900	A4/C4	
4	FM-540	EY-NR-NX	NH74	10,900	A4/C4	
4	FM-550	EY-NR-NX	NH87	14,470	A4/C4	
4	FM-550	EY-NR-NY	NH44	14,470	A4/C4	
4	FM-550	EY-NR-NX	NH43	14,470	A4/C4	
4	FM-550	EY-NR-NY	NH43	14,470	A4/C4	
<b>T6030 POWER COMMAND</b>	4	TA-28 Plus	AO-AT-EY-MT-NR-NY-OI	NH120	9,789	A4/C4
	4	TA-28 Plus	AO-AT-EY-MT-NR-NX-OI	NH25	9,582	A4/C4
	4	TA-29	AO-AT-EY-MT-NR-NY-OI	NH120	10,144	A4/C4
	4	TA-29	AO-AT-EY-MT-NR-NX-OI	NH25	9,937	A4/C4
	4	TA-46A	AO-AT-EY-MT-NR-NY-OI	NH120	11,269	A4/C4
	4	TA-48	AO-AT-EY-MT-NR-NY-OI	NH120	12,434	A4/C4
	4	XTA-400	AO-AT-EY-MT-NR-NY-OI	NH28	11,889	A4/C4
	4	CC-340	AO-AT-EY-MT-NR-NY-OI	NH26	9,950	A4/C4
	4	CC-360	AO-AT-EY-MT-NR-NY-OI	NH27	11,995	A4/C4
	4	FM-550	AO-EY-MT-NR-NY-OI	CD102	14,470	A4/C4
4	FM-550	AO-EY-MT-NR-NX-OI	CD103	14,470	A4/C4	
<b>T6040</b>	4	MAX 440	EY-NR-NY-OI	NH134	9,900	A4/C4
	4	MAX 440	EY-NR-NX-OI	NH135	9,900	A4/C4
	4	TA-26	AO-EG-EY-MT-NR-NY	NH17	7,157	A4/C4
	4	TA-26	AO-EG-EY-MT-NR-NX	NH22	7,180	A4/C4
	4	TA-26 Plus	AO-EG-EY-MT-NR-NY	NH17	7,597	A4/C4
	4	TA-26 Plus	AO-EG-EY-MT-NR-NX	NH22	7,620	A4/C4
	4	TA-26-12	AO-EG-EY-MT-NR-NY	NH17	8,417	A4/C4
	4	TA-26-12	AO-EG-EY-MT-NR-NX	NH22	8,440	A4/C4
	4	TA-28 Plus	AO-EG-EY-MT-NR-NY	NH17	9,536	A4/C4
	4	TA-28 Plus	AO-EG-EY-MT-NR-NX	NH22	9,559	A4/C4
4	TA-29	AO-EG-EY-MT-NR-NY	NH17	9,891	A4/C4	
4	TA-29	AO-EG-EY-MT-NR-NX	NH22	9,914	A4/C4	
4	CC-340	EY-NR-NY	NH18	9,950	A4/C4	
4	CC-340	EY-NR-NX	NH23	9,950	A4/C4	
4	FM-540	EY-NR-NY	NH75	10,900		



TRACTOR	LOADER SELECTION	FOOTNOTES	BRKT KIT	PACKAGE PRICE	REAR AXLE KIT	VALVE JOYSTICK PKG
<b>TB110</b>	2 TA-26	AA-DL	NH58	7,410	INC	A4
	2 TA-26 Plus	AA-DL	NH58	7,850	INC	A4
	2 TA-26-12	AA-DL	NH58	8,670	INC	A4
	2 TA-28	AA-DL	NH58	9,364	INC	A4
	2 TA-28 Plus	AA-DL	NH58	9,904	INC	A4
	2 TA-29	AA-DL	NH58	10,259	INC	A4
	2 CC-340		NH71	9,950	INC	A4
	4 TA-26	AA-AD-DL-EG-MT	NH58	7,410	INC	A4
	4 TA-26 Plus	AA-AD-DL-EG-MT	NH58	7,850	INC	A4
	4 TA-26-12	AA-AD-DL-EG-MT	NH58	8,670	INC	A4
4 TA-28	AA-AD-DL-EG-MT	NH58	9,364	INC	A4	
4 TA-28 Plus	AA-AD-DL-EG-MT	NH58	9,904	INC	A4	
4 TA-29	AA-AD-DL-EG-MT	NH58	10,259	INC	A4	
4 CC-340	AO-EG-MT	NH71	9,950	INC	A4	
<b>TB120</b>	2 TA-28	AA-DL	NH58	9,364	INC	A4
	2 TA-28 Plus	AA-DL	NH58	9,904	INC	A4
	2 TA-29	AA-DL	NH58	10,259	INC	A4
	2 TA-45	AA-DL	NH58	9,896	INC	A4
	2 TA-46	AA-DL	NH58	11,269	INC	A4
	2 TA-48	AA-DL	NH58	12,503	INC	A4
	2 CC-340	AO-DH-EH-MT	NH59	9,950	INC	A4
	2 CC-360	DH	NH60	11,995	INC	A4
	2 FM-550	DH	NH61	14,470	INC	A4
	4 TA-28	AA-AD-DL-EH-MT	NH58	9,364	INC	A4
4 TA-28 Plus	AA-AD-DL-EH-MT	NH58	9,904	INC	A4	
4 TA-29	AA-AD-DL-EH-MT	NH58	10,259	INC	A4	
4 TA-45	AA-AD-DL-EH-MT	NH58	9,896	INC	A4	
4 TA-46	AA-AD-DL-EH-MT	NH58	11,269	INC	A4	
4 TA-48	AA-AD-DL-EH-MT	NH58	12,503	INC	A4	
4 CC-340	AO-DH-EH-MT	NH59	9,950	INC	A4	
4 CC-360	DH	NH60	11,995	INC	A4	
4 FM-550	AO-DH-EH-MT	NH61	14,470	INC	A4	
<b>TC18</b>	2 TA-55		FO52	4,540		INC
	4 TA-55		FO52	4,540		INC
<b>TC21</b>	2 TA-55		FO52	4,540		INC
	4 TA-55		FO52	4,540		INC
<b>TC21D</b>	4 TA-55		FO52	4,540		INC
	4 TA-55		FO52	4,540		INC
<b>TC23DA</b>	4 TA-55	EZ-MS-NR	FO52	4,540		INC
	4 TA-55		FO52	4,540		INC
<b>TC24</b>	2 TA-55		FO52	4,540		INC
	4 TA-55		FO52	4,540		INC
<b>TC24D</b>	4 TA-55		FO52	4,540		INC
	4 TA-55		FO52	4,540		INC
<b>TC25</b>	2 TA-111	EZ-MS	FO47	5,025		INC
	2 TA-140	EZ-MS	FO46	4,600		OPT
2 TA-111	EZ-MS-NR	FO47	5,025		INC	
4 TA-140	EZ-MS-NR	FO46	4,600		OPT	
<b>TC25D</b>	4 TA-111	EZ-MS-NR	FO47	5,025		INC
	4 TA-140	EZ-MS-NR	FO46	4,600		OPT
<b>TC26DA</b>	4 TA-55	EZ-MS-NR	FO52	4,540		INC
	4 TA-55		FO52	4,540		INC
<b>TC29</b>	2 TA-111	EZ-MS	FO47	5,025		INC
	2 TA-140	EZ-MS	FO46	4,600		OPT
2 TA-111	EZ-MS-NR	FO47	5,025		INC	
4 TA-140	EZ-MS-NR	FO46	4,600		OPT	
<b>TC29D</b>	4 TA-111	EZ-MS-NR	FO47	5,025		INC
	4 TA-140	EZ-MS-NR	FO46	4,600		OPT
<b>TC29DA</b>	4 TA-140	EZ-MS-NR	FO46	4,600		OPT
	4 TA-140	EZ-MS-NR	FO46	4,600		OPT
<b>TC30</b>	2 TA-111	MS-OH	111FO5	5,071		INC
	4 TA-111	MS-OH	111FO5	5,071		INC
<b>TC31DA</b>	2 TA-140	EZ-MS-NR	NH34	4,600		OPT
	4 TA-140	EZ-MS-NR	NH88	4,600		OPT
4 TA-140	EZ-MS-NR	NH34	4,600		OPT	

TRACTOR	LOADER SELECTION	FOOTNOTES	BRKT KIT	PACKAGE PRICE	REAR AXLE KIT	VALVE JOYSTICK PKG
<b>TC33</b>	2 TA-111	EZ-MS	FO47	5,025		INC
	2 TA-140	EZ-MS	FO46	4,600		OPT
	4 TA-111	EZ-MS-NR	FO47	5,025		INC
	4 TA-140	EZ-MS-NR	FO46	4,600		OPT
<b>TC33D</b>	4 TA-111	EZ-MS-NR	FO47	5,025		INC
	4 TA-140	EZ-MS-NR	FO46	4,600		OPT
	4 TA-140	EZ-MS-NZ-OH	FO48	4,600		OPT
	4 TA-140	EZ-MS-NR	FO46	4,600		OPT
<b>TC33DA</b>	2 TA-140	EZ-MS-NR	NH34	4,600		OPT
	4 TA-140	EZ-MS-NR	NH88	4,600		OPT
	4 TA-140	EZ-MS-NR	NH34	4,600		OPT
	4 TA-140	EZ-MS-NR	NH34	4,600		OPT
<b>TC34DA</b>	2 TA-140	EZ-MS-NR	NH34	4,600		OPT
	4 TA-140	EZ-MS-NR	NH88	4,600		OPT
	4 TA-140	EZ-MS-NR	NH34	4,600		OPT
	4 TA-140	EZ-MS-NR	NH34	4,600		OPT
<b>TC35</b>	2 TA-160	DH-MS-NR	NH3	5,476		INC
	2 TA-160	DH-MS-NR	NH5	5,453		INC
	2 TA-170A	DH-MS-NR	NH4	6,055		INC
	2 TA-170	DH-MS-NR	NH6	6,055		INC
2 TA-175A	DH-MS-NR	NH4	6,395		INC	
2 TA-175	DH-MS-NR	NH6	6,395		INC	
4 TA-160	DH-MS-NR	NH3	5,476		INC	
4 TA-160	DH-MS-NR	NH5	5,453		INC	
4 TA-170A	DH-MS-NR	NH4	6,055		INC	
4 TA-170	DH-MS-NR	NH6	6,055		INC	
4 TA-175A	DH-MS-NR	NH4	6,395		INC	
4 TA-175	DH-MS-NR	NH6	6,395		INC	
<b>TC35A</b>	2 TA-160	DH-MS-NR	NH3	5,476		INC
	2 TA-160	DH-MS-NR	NH5	5,453		INC
	2 TA-170A	DH-MS-NR	NH4	6,055		INC
	2 TA-170	DH-MS-NR	NH6	6,055		INC
2 TA-175A	DH-MS-NR	NH4	6,395		INC	
2 TA-175	DH-MS-NR	NH6	6,395		INC	
4 TA-160	DH-MS-NR	NH3	5,476		INC	
4 TA-160	DH-MS-NR	NH5	5,453		INC	
4 TA-170A	DH-MS-NR	NH4	6,055		INC	
4 TA-170	DH-MS-NR	NH6	6,055		INC	
4 TA-175A	DH-MS-NR	NH4	6,395		INC	
4 TA-175	DH-MS-NR	NH6	6,395		INC	
<b>TC35D</b>	4 TA-160	DH-MS-NR	NH3	5,476		INC
	4 TA-160	DH-MS-NR	NH5	5,453		INC
	4 TA-170A	DH-MS-NR	NH4	6,055		INC
	4 TA-170	DH-MS-NR	NH6	6,055		INC
4 TA-175A	DH-MS-NR	NH4	6,395		INC	
4 TA-175	DH-MS-NR	NH6	6,395		INC	
<b>TC35DA</b>	4 TA-160	DH-MS-NR	NH3	5,476		INC
	4 TA-160	DH-MS-NR	NH5	5,453		INC
	4 TA-170A	DH-MS-NR	NH4	6,055		INC
	4 TA-170	DH-MS-NR	NH6	6,055		INC
4 TA-175A	DH-MS-NR	NH4	6,395		INC	
4 TA-175	DH-MS-NR	NH6	6,395		INC	
<b>TC40</b>	2 TA-160	DH-MS-NR	NH3	5,476		INC
	2 TA-160	DH-MS-NR	NH5	5,453		INC
	2 TA-170A	DH-MS-NR	NH4	6,055		INC
	2 TA-170	DH-MS-NR	NH6	6,055		INC
2 TA-175A	DH-MS-NR	NH4	6,395		INC	
2 TA-175	DH-MS-NR	NH6	6,395		INC	
4 TA-160	DH-MS-NR	NH3	5,476		INC	
4 TA-160	DH-MS-NR	NH5	5,453		INC	
4 TA-170A	DH-MS-NR	NH4	6,055		INC	
4 TA-170	DH-MS-NR	NH6	6,055		INC	
4 TA-175A	DH-MS-NR	NH4	6,395		INC	
4 TA-175	DH-MS-NR	NH6	6,395		INC	
<b>TC40A</b>	2 TA-160	DH-MS-NR	NH3	5,476		INC
	2 TA-160	DH-MS-NR	NH5	5,453		INC
	2 TA-170A	DH-MS-NR	NH4	6,055		INC
	2 TA-170	DH-MS-NR	NH6	6,055		INC
2 TA-175A	DH-MS-NR	NH4	6,395		INC	
2 TA-175	DH-MS-NR	NH6	6,395		INC	
4 TA-160	DH-MS-NR	NH3	5,476		INC	
4 TA-160	DH-MS-NR	NH5	5,453		INC	
4 TA-170A	DH-MS-NR	NH4	6,055		INC	
4 TA-170	DH-MS-NR	NH6	6,055		INC	
4 TA-175A	DH-MS-NR	NH4	6,395		INC	
4 TA-175	DH-MS-NR	NH6	6,395		INC	

TRACTOR	LOADER SELECTION	FOOTNOTES	BRKT KIT	PACKAGE PRICE	REAR AXLE KIT	VALVE JOYSTICK PKG
<b>TC40D</b>	4 TA-160	DH-MS-NR	NH3	5,476		INC
	4 TA-160	DH-MS-NR	NH5	5,453		INC
	4 TA-170A	DH-MS-NR	NH4	6,055		INC
	4 TA-170	DH-MS-NR	NH6	6,055		INC
4 TA-175A	DH-MS-NR	NH4	6,395		INC	
4 TA-175	DH-MS-NR	NH6	6,395		INC	
<b>TC40DA</b>	4 TA-160	DH-MS-NR	NH3	5,476		INC
	4 TA-160	DH-MS-NR	NH5	5,453		INC
	4 TA-170A	DH-MS-NR	NH4	6,055		INC
	4 TA-170	DH-MS-NR	NH6	6,055		INC
4 TA-175A	DH-MS-NR	NH4	6,395		INC	
4 TA-175	DH-MS-NR	NH6	6,395		INC	
<b>TC45</b>	2 TA-160	DH-MS-NR	NH3	5,476		INC
	2 TA-160	DH-MS-NR	NH5	5,453		INC
	2 TA-170A	DH-MS-NR	NH4	6,055		INC
	2 TA-170	DH-MS-NR	NH6	6,055		INC
2 TA-175A	DH-MS-NR	NH4	6,395		INC	
2 TA-175	DH-MS-NR	NH6	6,395		INC	
4 TA-160	DH-MS-NR	NH3	5,476		INC	
4 TA-160	DH-MS-NR	NH5	5,453		INC	
4 TA-170A	DH-MS-NR	NH4	6,055		INC	
4 TA-170	DH-MS-NR	NH6	6,055		INC	
4 TA-175A	DH-MS-NR	NH4	6,395		INC	
4 TA-175	DH-MS-NR	NH6	6,395		INC	
<b>TC45A</b>	2 TA-160	DH-MS-NR	NH3	5,476		INC
	2 TA-160	DH-MS-NR	NH5	5,453		INC
	2 TA-170A	DH-MS-NR	NH4	6,055		INC
	2 TA-170	DH-MS-NR	NH6	6,055		INC
2 TA-175A	DH-MS-NR	NH4	6,395		INC	
2 TA-175	DH-MS-NR	NH6	6,395		INC	
4 TA-160	DH-MS-NR	NH3	5,476		INC	
4 TA-160	DH-MS-NR	NH5	5,453		INC	
4 TA-170A	DH-MS-NR	NH4	6,055		INC	
4 TA-170	DH-MS-NR	NH6	6,055		INC	
4 TA-175A	DH-MS-NR	NH4	6,395		INC	
4 TA-175	DH-MS-NR	NH6	6,395		INC	
<b>TC45D</b>	4 TA-160	DH-MS-NR	NH3	5,476		INC
	4 TA-160	DH-MS-NR	NH5	5,453		INC
	4 TA-170A	DH-MS-NR	NH4	6,055		INC
	4 TA-170	DH-MS-NR	NH6	6,055		INC
4 TA-175A	DH-MS-NR	NH4	6,395		INC	
4 TA-175	DH-MS-NR	NH6	6,395		INC	
<b>TC45DA</b>	4 TA-160	DH-MS-NR	NH3	5,476		INC
	4 TA-160	DH-MS-NR	NH5	5,453		INC
	4 TA-170A	DH-MS-NR	NH4	6,0		

TRACTOR	LOADER SELECTION	MOUNTING BRACKETS	HYD.						
MODEL	WD	FIT	LOADER MODEL	FOOTNOTES	BRKT	KIT	PACKAGE PRICE	REAR AXLE KIT	VALVE JOYSTICK PKG
TM120	2		WL-42	BK-MR-NX	NH2		9,156		C4
	2		TA-28	MR-NX	NH2		9,065		C4
	2	<input checked="" type="checkbox"/>	TA-28 Plus	MR-NX	NH2		9,605		C4
	2		TA-29	MR-NX	NH2		9,960		C4
	2		TA-45	MR-NX	NH2		9,643		C4
	2		TA-46	MR-NX	NH2		10,993		C4
	2		TA-48	MR-NX	NH2		12,227		C4
	4	<input checked="" type="checkbox"/>	MAX 440	EH-MR-NR-NX	NH133		9,900		C4
	4		TA-28	EH-MR-MT-NR-NV-NX	FO35		9,088		C4
	4		TA-28	EH-MT-MR-NR-NX-NT	NH16		9,111		C4
	4		TA-28	EH-MR-MT-NR-NV-NY	NH79		9,157		C4
	4		TA-28	EH-MR-MT-NR-NT-NY	NH80		9,065		C4
	4		TA-28 Plus	EK-MR-MT-NR-NX-NT	FO35		9,605		C4
	4		TA-28 Plus	EH-MT-MR-NR-NX-NT	NH16		9,697		C4
	4		TA-28 Plus	EH-MR-MT-NR-NV-NY	NH79		9,743		C4
4		TA-28 Plus	EH-MR-MT-NR-NT-NY	NH80		9,605		C4	
4		TA-29	EH-MR-MT-NR-NV-NX	FO35		9,960		C4	
4		TA-29	EH-MT-MR-NR-NX-NT	NH16		10,052		C4	
4		TA-29	EH-MR-MT-NR-NV-NY	NH79		10,098		C4	
4		TA-29	EH-MR-MT-NR-NT-NY	NH80		9,960		C4	
4		TA-46A	EK-MR-MT-NR-NX-NT	FO35		11,223		C4	
4		TA-46A	EH-MT-MR-NR-NX-NT	NH16		11,177		C4	
4		TA-46A	EH-MR-MT-NR-NV-NY	NH79		11,246		C4	
4		TA-46A	EH-MR-MT-NR-NT-NY	NH80		11,085		C4	
4		TA-46A	EH-MT-MR-NR-NX-NT	NH16		11,177		C4	
4		TA-48	EK-MR-MT-NR-NX-NT	FO35		12,388		C4	
4		TA-48	EH-MR-MT-NR-NV-NY	NH79		12,411		C4	
4		TA-48	EH-MR-MT-NR-NT-NY	NH80		12,250		C4	
4		XTA-400	EK-MR-NR-NX	400FO2		12,257		C4	
4		XTA-400	EK-MR-NR-NY	NH81		12,257		C4	
4		XTA-700A	AO-EH-MR-NX-NZ	NH1		13,633		C4	
4	<input checked="" type="checkbox"/>	CC-360	EK-MR-NR-NX	NH41		11,995		C4	
4	<input checked="" type="checkbox"/>	CC-360	EK-MR-NR-NY	NH82		11,995		C4	
4	<input checked="" type="checkbox"/>	FM-550	EK-MR-NR-NY	NH83		14,470		C4	
4	<input checked="" type="checkbox"/>	FM-550	EK-MR-NR-NX	NH29		14,470		C4	

TRACTOR	LOADER SELECTION	MOUNTING BRACKETS	HYD.						
MODEL	WD	FIT	LOADER MODEL	FOOTNOTES	BRKT	KIT	PACKAGE PRICE	REAR AXLE KIT	VALVE JOYSTICK PKG
TM130	2		WL-42	BK-MR-NX	NH2		9,156		C4
	2		TA-28	MR-NX	NH2		9,065		C4
	2	<input checked="" type="checkbox"/>	TA-28 Plus	MR-NX	NH2		9,605		C4
	2		TA-29	MR-NX	NH2		9,960		C4
	2		TA-45	MR-NX	NH2		9,643		C4
	2		TA-46	MR-NX	NH2		10,993		C4
	2		TA-48	MR-NX	NH2		12,227		C4
	4	<input checked="" type="checkbox"/>	MAX 440	EH-MR-NR-NX	NH133		9,900		C4
	4		TA-28	EH-MR-MT-NR-NV-NX	FO35		9,088		C4
	4		TA-28	EK-MR-MT-NR-NX-NT	NH16		9,111		C4
	4		TA-28	EH-MR-MT-NR-NV-NY	NH79		9,157		C4
	4		TA-28	EH-MR-MT-NR-NT-NY	NH80		9,065		C4
	4		TA-28 Plus	EK-MR-MT-NR-NX-NT	FO35		9,605		C4
	4		TA-28 Plus	EH-MT-MR-NR-NX-NT	NH16		9,697		C4
	4		TA-28 Plus	EH-MR-MT-NR-NV-NY	NH79		9,743		C4
4		TA-28 Plus	EH-MR-MT-NR-NT-NY	NH80		9,605		C4	
4		TA-29	EH-MR-MT-NR-NV-NX	FO35		9,960		C4	
4		TA-29	EH-MT-MR-NR-NX-NT	NH16		10,052		C4	
4		TA-29	EK-MR-MT-NR-NV-NY	NH79		10,098		C4	
4		TA-29	EH-MR-MT-NR-NT-NY	NH80		9,960		C4	
4		TA-46A	EK-MR-MT-NR-NX-NT	FO35		11,223		C4	
4		TA-46A	EH-MT-MR-NR-NX-NT	NH16		11,177		C4	
4		TA-46A	EH-MR-MT-NR-NV-NY	NH79		11,246		C4	
4		TA-46A	EH-MR-MT-NR-NT-NY	NH80		11,085		C4	
4		TA-46A	EH-MT-MR-NR-NX-NT	NH16		11,177		C4	
4		TA-48	EK-MR-MT-NR-NX-NT	FO35		12,388		C4	
4		TA-48	EH-MR-MT-NR-NV-NY	NH79		12,411		C4	
4		TA-48	EH-MR-MT-NR-NT-NY	NH80		12,250		C4	
4		XTA-400	EK-MR-NR-NX	400FO2		12,257		C4	
4		XTA-400	EK-MR-NR-NY	NH81		12,257		C4	
4		XTA-700A	AO-EH-MR-NX-NZ	NH1		13,633		C4	
4	<input checked="" type="checkbox"/>	CC-360	EK-MR-NR-NX	NH41		11,995		C4	
4	<input checked="" type="checkbox"/>	CC-360	EK-MR-NR-NY	NH82		11,995		C4	
4	<input checked="" type="checkbox"/>	FM-550	EK-MR-NR-NY	NH83		14,470		C4	
4	<input checked="" type="checkbox"/>	FM-550	EK-MR-NR-NX	NH29		14,470		C4	

TRACTOR	LOADER SELECTION	MOUNTING BRACKETS	HYD.						
MODEL	WD	FIT	LOADER MODEL	FOOTNOTES	BRKT	KIT	PACKAGE PRICE	REAR AXLE KIT	VALVE JOYSTICK PKG
TM140	2		WL-42	BK-MR-NX	NH2		9,156		C4
	2		TA-28	MR-NX	NH2		9,065		C4
	2	<input checked="" type="checkbox"/>	TA-28 Plus	MR-NX	NH2		9,605		C4
	2		TA-29	MR-NX	NH2		9,960		C4
	2		TA-45	MR-NX	NH2		9,643		C4
	2		TA-46	MR-NX	NH2		10,993		C4
	2		TA-48	MR-NX	NH2		12,227		C4
	4	<input checked="" type="checkbox"/>	MAX 440	EH-MR-NR-NX	NH133		9,900		C4
	4		TA-28	EH-MR-MT-NR-NV-NX	FO35		9,088		C4
	4		TA-28	EK-MR-MT-NR-NX-NT	NH16		9,111		C4
	4		TA-28	EH-MR-MT-NR-NV-NY	NH79		9,157		C4
	4		TA-28	EH-MR-MT-NR-NT-NY	NH80		9,065		C4
	4		TA-28 Plus	EK-MR-MT-NR-NX-NT	FO35		9,605		C4
	4		TA-28 Plus	EH-MT-MR-NR-NX-NT	NH16		9,697		C4
	4		TA-28 Plus	EH-MR-MT-NR-NV-NY	NH79		9,743		C4
4		TA-28 Plus	EH-MR-MT-NR-NT-NY	NH80		9,605		C4	
4		TA-29	EH-MR-MT-NR-NV-NX	FO35		9,960		C4	
4		TA-29	EH-MT-MR-NR-NX-NT	NH16		10,052		C4	
4		TA-29	EK-MR-MT-NR-NV-NY	NH79		10,098		C4	
4		TA-29	EH-MR-MT-NR-NT-NY	NH80		9,960		C4	
4		TA-46A	EK-MR-MT-NR-NX-NT	FO35		11,223		C4	
4		TA-46A	EH-MT-MR-NR-NX-NT	NH16		11,177		C4	
4		TA-46A	EH-MR-MT-NR-NV-NY	NH79		11,246		C4	
4		TA-46A	EH-MR-MT-NR-NT-NY	NH80		11,085		C4	
4		TA-46A	EH-MT-MR-NR-NX-NT	NH16		11,177		C4	
4		TA-48	EK-MR-MT-NR-NX-NT	FO35		12,388		C4	
4		TA-48	EH-MR-MT-NR-NV-NY	NH79		12,411		C4	
4		TA-48	EH-MR-MT-NR-NT-NY	NH80		12,250		C4	
4		XTA-400	EK-MR-NR-NX	400FO2		12,257		C4	
4		XTA-400	EK-MR-NR-NY	NH81		12,257		C4	
4		XTA-700A	AO-EH-MR-NX-NZ	NH1		13,633		C4	
4	<input checked="" type="checkbox"/>	CC-360	EK-MR-NR-NX	NH41		11,995		C4	
4	<input checked="" type="checkbox"/>	CC-360	EK-MR-NR-NY	NH82		11,995		C4	
4	<input checked="" type="checkbox"/>	FM-550	EK-MR-NR-NY	NH83		14,470		C4	
4	<input checked="" type="checkbox"/>	FM-550	EK-MR-NR-NX	NH84		16,900		C4	
4	<input checked="" type="checkbox"/>	FM-560	EK-MR-MT-NX-NZ	NH84		16,900		C4	
4	<input checked="" type="checkbox"/>	FM-560	EK-MR-MT-NY-NZ	NH91		16,900		C4	

TRACTOR	LOADER SELECTION	MOUNTING BRACKETS	HYD.						
MODEL	WD	FIT	LOADER MODEL	FOOTNOTES	BRKT	KIT	PACKAGE PRICE	REAR AXLE KIT	VALVE JOYSTICK PKG
TM125	2	<input checked="" type="checkbox"/>	WL-42	BK-MR	NH2		9,156		C4
	2		TA-28	MR	NH2		9,065		C4
	2		TA-28 Plus	MR	NH2		9,605		C4
	2		TA-29	MR	NH2		9,960		C4
	2		TA-45	MR	NH2		9,643		C4
	2		TA-46	MR	NH2		10,993		C4
	2		TA-48	MR	NH2		12,227		C4
	4	<input checked="" type="checkbox"/>	MAX 440	EH-MR-NR-NX	NH133		9,900		C4
	4		TA-28	EH-MR-MT-NR-NV	FO35		9,088		C4
	4		TA-28	EH-MT-MR-NR-NX-NT	NH16		9,111		C4
	4		TA-28 Plus	EK-MR-MT-NR-NX-NT	FO35		9,605		C4
	4		TA-28 Plus	EH-MT-MR-NR-NX-NT	NH16		9,674		C4
	4		TA-29	EH-MR-MT-NR-NV	FO35		9,960		C4
	4		TA-29	EH-MT-MR-NR-NX-NT	NH16		10,052		C4
	4		TA-46A	EK-MR-MT-NR-NX-NT	FO35		11,223		C4
4		TA-46A	EH-MT-MR-NR-NX-NT	NH16		11,177		C4	
4		TA-48	EK-MR-MT-NR-NX-NT	FO35		12,388		C4	
4		XTA-400	EK-MR-NR	400FO2		12,257		C4	
4		XTA-700A	AO-EH-MR-NX-NZ	NH1		13,633		C4	
4	<input checked="" type="checkbox"/>	CC-360	EK-MR-NR-NX	NH41		11,995		C4	
4	<input checked="" type="checkbox"/>	FM-550	EK-MR-NR-NX	NH29		14,470		C4	
4	<input checked="" type="checkbox"/>	FM-560	EK-MR-MT-NX-NZ	NH84		16,900		C4	
4	<input checked="" type="checkbox"/>	FM-560	EK-MR-MT-NY-NZ	NH91		16,900		C4	

TRACTOR	LOADER SELECTION	MOUNTING BRACKETS	HYD.						
MODEL	WD	FIT	LOADER MODEL	FOOTNOTES	BRKT	KIT	PACKAGE PRICE	REAR AXLE KIT	VALVE JOYSTICK PKG
TM150	2	<input checked="" type="checkbox"/>	WL-42	BK-MR	NH2		9,156		C4
	2		TA-28	MR	NH2		9,065		C4
	2		TA-28 Plus	MR	NH2		9,605		C4
	2		TA-29	MR	NH2		9,960		C4
	2		TA-45	MR	NH2		9,643		C4
	2		TA-46	MR	NH2		10,993		C4
	2		TA-48	MR	NH2		12,227		C4
	4	<input checked="" type="checkbox"/>	MAX 440	EH-MR-NR-NX					



TRACTOR	LOADER SELECTION	MOUNTING BRACKETS	HYD.
MODEL WD	FIT LOADER MODEL FOOTNOTES	BRKT KIT PACKAGE PRICE REAR AXLE KIT VALVE JOYSTICK PKG	
<b>TN75</b>			
2	TA-160 DH NH7 5,568	INC	
2	TA-170 DH-DL NH8 6,055	INC	
2	TA-175 DH-DL NH8 6,395	INC	
2	TA-180 DH-DL NH9 6,780	INC	
2	WL-21 AC-AD-CL-DH NH10 6,688	A4	
2	TA-25 DH NH10 5,736	A4	
2	TA-26 DH NH10 6,996	A4	
2	TA-26 Plus DH NH10 7,436	A4	
2	TA-26-12 DH NH10 8,256	A4	
2	CC-330 DH NH52 8,715	A4	
4	TA-180 AC-CL-DH-EM-NR NH12 6,734	INC	
4	TA-26 AC-CL-DH-EM-NR FO55 7,019	A4	
4	TA-26 Plus AC-CL-DH-EM-NR FO55 7,459	A4	
4	TA-26-12 AC-CL-DH-EM-NR FO55 8,279	A4	
4	CC-330 DH-NR NH53 8,715	A4	
<b>TN75A</b>			
2	TA-160 DH-DL NH7 5,568	INC	
2	TA-170 DH-DL NH8 6,055	INC	
2	TA-175 DH-DL NH8 6,395	INC	
2	TA-180 DH-DL NH9 6,780	INC	
2	WL-21 AC-AD-CL-DH NH10 6,688	A4	
2	TA-25 DH NH10 5,736	A4	
2	TA-26 DH NH10 6,996	A4	
2	TA-26 Plus DH NH10 7,436	A4	
2	TA-26-12 DH NH10 8,256	A4	
4	TA-26 AC-CL-DH-EM-NR NH24 7,019	A4	
4	TA-26 Plus AC-CL-DH-EM-NR NH24 7,459	A4	
4	TA-26-12 AC-CL-DH-EM-NR NH24 8,279	A4	
4	CC-330 EM-NR NH30 8,715	A4	
<b>TN75D</b>			
2	TA-25 DW NH14 5,782	A4	
2	TA-26 ED-DW NH14 7,042	A4	
2	TA-26 Plus ED-DW NH14 7,482	A4	
2	TA-26-12 ED-DW NH14 8,302	A4	
2	CC-330 NH48 8,715	A4	
4	TA-26 AC-CL-DW-ED-EN-NR NH13 7,042	A4	
4	TA-26 Plus AC-CL-DW-ED-EN-NR NH13 7,482	A4	
4	TA-26-12 AC-CL-DW-ED-EN-NR NH13 8,302	A4	
4	CC-330 EM-NR NH30 8,715	A4	
<b>TN75DA</b>			
4	TA-26 AC-CL-DL-DW-ED-EN-NR CD59 7,042	A4	
4	TA-26 Plus AC-CL-DL-DW-ED-EN-NR CD59 7,482	A4	
4	TA-26-12 AC-CL-DL-DW-ED-EN-NR CD59 8,302	A4	
4	CC-330 EM-NR NH30 8,715	A4	
<b>TN75S</b>			
4	TA-26 AC-CL-EM-MP-NZ FO53 7,065	A4	
4	TA-26 Plus AC-CL-EM-MP-NZ FO53 7,505	A4	
4	TA-26-12 AC-CL-EM-MP-NZ FO53 8,325	A4	
<b>TN75SA</b>			
4	TA-26 AC-CL-EM-MP-NZ FO53 7,065	A4	
4	TA-26 Plus AC-CL-EM-MP-NZ FO53 7,505	A4	
4	TA-26-12 AC-CL-EM-MP-NZ FO53 8,325	A4	
<b>TN85A</b>			
2	WL-21 DH-DL-NX-OI NH54 6,872	A4	
2	WL-27 DH-DL-NX-OI NH54 7,902	A4	
2	TA-25 DH-DL-NX-OI NH55 5,874	A4	
2	TA-26 DH-DL-NX-OI NH55 7,134	A4	
2	TA-26 Plus DH-DL-NX-OI NH55 7,574	A4	
2	TA-26-12 DH-DL-NX-OI NH55 8,394	A4	
4	TA-26 AO-DH-DL-EM-MT-NR-NX NH92 7,065	A4	
4	TA-26 AO-DH-DL-EM-MT-NR-NX NH92 7,065	A4	
4	TA-26 Plus AO-DH-DL-EM-MT-NR-NX NH92 7,505	A4	
4	TA-26-12 AO-DH-DL-EM-MT-NR-NX NH92 8,325	A4	
4	TA-26-12 AO-DH-DL-EM-MT-NR-NX NH92 8,325	A4	
4	CC-330 AO-DH-DL-EM-MT-NR-NX NH95 8,715	A4	
4	CC-330 AO-DH-DL-EM-MT-NR-NX NH95 8,715	A4	
<b>TN85DA</b>			
4	TA-26 AO-DW-EM-OJ NH66 7,249	A4	
4	TA-26 Plus AO-DW-EM-OJ NH66 7,689	A4	
4	CC-330 DW-EM NH65 8,715	A4	
4	CC-340 DW-EM NH64 9,950	A4	

TRACTOR	LOADER SELECTION	MOUNTING BRACKETS	HYD.
MODEL WD	FIT LOADER MODEL FOOTNOTES	BRKT KIT PACKAGE PRICE REAR AXLE KIT VALVE JOYSTICK PKG	
<b>TN95A</b>			
2	WL-21 DH-DL-NX-OI NH54 6,872	A4	
2	WL-27 DH-DL-NX-OI NH54 7,902	A4	
2	TA-25 DH-DL-NX-OI NH55 5,874	A4	
2	TA-26 DH-DL-NX-OI NH55 7,134	A4	
2	TA-26 Plus DH-DL-NX-OI NH55 7,574	A4	
2	TA-26-12 DH-DL-NX-OI NH55 8,394	A4	
4	TA-26 AO-DH-DL-EM-MT-NR-NX NH92 7,065	A4	
4	TA-26 Plus AO-DH-DL-EM-MT-NR-NX NH92 7,505	A4	
4	TA-26-12 AO-DH-DL-EM-MT-NR-NX NH92 8,325	A4	
4	TA-26 AO-DH-DL-EM-MT-NR-NY NH92 7,065	A4	
4	TA-26 Plus AO-DH-DL-EM-MT-NR-NY NH92 7,505	A4	
4	TA-26-12 AO-DH-DL-EM-MT-NR-NY NH92 8,325	A4	
4	CC-330 AO-DH-DL-EM-MT-NR-NY NH95 8,715	A4	
4	CC-330 AO-DH-DL-EM-MT-NR-NY NH95 8,715	A4	
<b>TN95DA</b>			
4	TA-26 AO-DW-EM-OJ NH66 7,249	A4	
4	TA-26 Plus AO-DW-EM-OJ NH66 7,689	A4	
4	CC-330 DW-EM NH65 8,715	A4	
4	CC-340 DW-EM NH64 9,950	A4	
<b>TS6.110</b>			
2	MAX 420 MR-OI-OB CD129 8,900	A4/C4	
2	FM-540 MR-OI-OB NH140 10,900	A4/C4	
4	MAX 420 EG-MR-OI-OB CD129 8,900	A4/C4	
4	TA-28 EHM-MR-MT-OIOS NH141 9,203	A4/C4	
4	TA-28 Plus EHM-MR-MT-OIOS NH141 9,743	A4/C4	
4	TA-29 EHM-MR-MT-OIOS NH141 10,098	A4/C4	
<b>TS6.120</b>			
2	MAX 420 MR-OI-OB CD129 8,900	A4	
2	FM-540 MR-OI-OB NH140 10,900	A4/C4	
4	MAX 420 EG-MR-OI-OB CD129 8,900	A4	
4	TA-28 EHM-MR-MT-OIOS NH141 9,203	A4/C4	
4	TA-28 Plus EHM-MR-MT-OIOS NH141 9,743	A4/C4	
4	TA-29 EHM-MR-MT-OIOS NH141 10,098	A4/C4	
<b>TS6.125</b>			
2	MAX 420 MR-OI-OB CD129 8,900	A4	
2	FM-540 MR-OI-OB NH140 10,900	A4/C4	
4	MAX 420 EG-MR-OI-OB CD129 8,900	A4	
<b>TS6.140</b>			
2	MAX 420 MR-OI-OB CD129 8,900	A4	
2	FM-540 MR-OI-OB NH140 10,900	A4/C4	
4	MAX 420 EG-MR-OI-OB CD129 8,900	A4	
<b>TS90</b>			
2	MAX 420 NH132 8,900	A4/C4	
2	WL-21 EY FO45 6,826	A4/C4	
2	WL-27 EY FO45 7,856	A4/C4	
2	TA-26 EY FO44 7,019	A4/C4	
2	TA-26 Plus EY FO44 7,459	A4/C4	
2	TA-26-12 EY FO44 8,279	A4/C4	
2	TA-28 EY FO45 9,042	A4/C4	
2	TA-28 Plus EY FO45 9,582	A4/C4	
2	TA-29 Plus EY FO45 9,937	A4/C4	
2	TA-45 EY FO45 9,620	A4/C4	
2	CC-340 EY NH15 9,950	A4/C4	
4	MAX 420 EG NH132 8,900	A4/C4	
4	TA-28 AO-EG-EY-MT-NK FO43▲ 9,042	A4/C4	
4	TA-28 Plus AO-EG-EY-MT-NK FO43▲ 9,605	A4/C4	
4	TA-29 AO-EG-EY-MT-NK FO43▲ 9,960	A4/C4	
4	CC-340 EG-EY NH15 9,950	A4/C4	
<b>TS100</b>			
2	MAX 420 NH132 8,900	A4/C4	
2	WL-21 EY FO45 6,826	A4/C4	
2	WL-27 EY FO45 7,856	A4/C4	
2	TA-26 EY FO44 7,019	A4/C4	
2	TA-26 Plus EY FO44 7,459	A4/C4	
2	TA-26-12 EY FO44 8,279	A4/C4	
2	TA-28 EY FO45 9,042	A4/C4	
2	TA-28 Plus EY FO45 9,582	A4/C4	
2	TA-29 Plus EY FO45 9,937	A4/C4	
2	TA-45 EY FO45 9,620	A4/C4	
2	CC-340 EY NH15 9,950	A4/C4	
4	MAX 420 EG NH132 8,900	A4/C4	
4	TA-28 AO-EG-EY-MT-NK FO43▲ 9,042	A4/C4	
4	TA-28 Plus AO-EG-EY-MT-NK FO43▲ 9,605	A4/C4	
4	TA-29 AO-EG-EY-MT-NK FO43▲ 9,960	A4/C4	
4	CC-340 EG-EY NH15 9,950	A4/C4	

TRACTOR	LOADER SELECTION	MOUNTING BRACKETS	HYD.
MODEL WD	FIT LOADER MODEL FOOTNOTES	BRKT KIT PACKAGE PRICE REAR AXLE KIT VALVE JOYSTICK PKG	
<b>TS100A</b>			
2	MAX 440 EY-NY-OI NH134 9,900	A4/C4	
2	MAX 440 EY-NX-OI NH135 9,900	A4/C4	
2	TA-26 EY-NX NH56 7,019	A4/C4	
2	TA-26 EY-NY NH57 7,042	A4/C4	
2	TA-26 Plus EY-NX NH56 7,459	A4/C4	
2	TA-26 Plus EY-NY NH57 7,482	A4/C4	
2	TA-26-12 EY-NX NH56 8,279	A4/C4	
2	TA-26-12 EY-NY NH57 8,302	A4/C4	
2	TA-28 EY-NX NH67 9,065	A4/C4	
2	TA-28 EY-NY NH68 9,065	A4/C4	
2	TA-28 Plus EY-NX NH67 9,605	A4/C4	
2	TA-28 Plus EY-NY NH68 9,605	A4/C4	
2	TA-29 EY-NX NH67 9,960	A4/C4	
2	TA-29 EY-NY NH68 9,960	A4/C4	
4	MAX 440 EH-EY-NR-NY-OI NH134 9,900	A4/C4	
4	MAX 440 EH-EY-NR-NX-OI NH135 9,900	A4/C4	
4	TA-26 AO-EG-EY-MT-NR-NX NH17 7,157	A4/C4	
4	TA-26 AO-EG-EY-MT-NR-NY NH22 7,180	A4/C4	
4	TA-26 Plus AO-EG-EY-MT-NR-NX NH17 7,597	A4/C4	
4	TA-26 Plus AO-EG-EY-MT-NR-NY NH22 7,620	A4/C4	
4	TA-26-12 AO-EG-EY-MT-NR-NX NH17 8,417	A4/C4	
4	TA-26-12 AO-EG-EY-MT-NR-NY NH22 8,440	A4/C4	
4	TA-28 Plus AO-EG-EY-MT-NR-NX NH17 9,536	A4/C4	
4	TA-28 Plus AO-EG-EY-MT-NR-NY NH22 9,559	A4/C4	
4	TA-29 AO-EG-EY-MT-NR-NX NH17 9,891	A4/C4	
4	TA-29 AO-EG-EY-MT-NR-NY NH22 9,914	A4/C4	
4	CC-340 EH-MR-NX NH23 9,950	A4/C4	
4	CC-340 EH-EY-NR-NY NH18 9,950	A4/C4	
4	FM-540 EH-EY-NR-NY NH75 10,900	A4/C4	
4	FM-540 EH-EY-NR-NX NH76 10,900	A4/C4	
<b>TS110</b>			
2	MAX 420 NH132 8,900	A4/C4	
2	WL-21 EY FO45 6,826	A4/C4	
2	WL-27 EY FO45 7,856	A4/C4	
2	TA-26 EY FO44 7,019	A4/C4	
2	TA-26 Plus EY FO44 7,459	A4/C4	
2	TA-26-12 EY FO44 8,279	A4/C4	
2	TA-28 EY FO45 9,042	A4/C4	
2	TA-28 Plus EY FO45 9,582	A4/C4	
2	TA-29 EY FO45 9,937	A4/C4	
2	TA-45 EY FO45 9,620	A4/C4	
2	CC-340 EY NH15 9,950	A4/C4	
4	MAX 420 EG NH132 8,900	A4/C4	
4	TA-28 AO-EG-EY-MT-NK FO43▲ 9,042	A4/C4	
4	TA-28 Plus AO-EG-EY-MT-NK FO43▲ 9,605	A4/C4	
4	TA-29 AO-EG-EY-MT-NK FO43▲ 9,960	A4/C4	
4	CC-340 EG-EY NH15 9,950	A4/C4	
<b>TS110A</b>			
2	MAX 440 EY-NY-OI NH134 9,900	A4/C4	
2	MAX 440 EY-NX-OI NH135 9,900	A4/C4	
2	TA-26 EY-NX NH56 7,019	A4/C4	
2	TA-26 EY-NY NH57 7,042	A4/C4	
2	TA-26 Plus EY-NX NH56 7,459	A4/C4	
2	TA-26 Plus EY-NY NH57 7,482	A4/C4	
2	TA-26-12 EY-NX NH56 8,279	A4/C4	
2	TA-26-12 EY-NY NH57 8,302	A4/C4	
2	TA-28 EY-NX NH67 9,065	A4/C4	
2	TA-28 EY-NY NH68 9,065	A4/C4	
2	TA-28 Plus EY-NX NH67 9,605	A4/C4	
2	TA-28 Plus EY-NY NH68 9,605	A4/C4	
2	TA-29 EY-NX NH67 9,960	A4/C4	
2	TA-29 EY-NY NH68 9,960	A4/C4	
4	MAX 440 EH-EY-NR-NY-OI NH134 9,900	A4/C4	
4	MAX 440 EH-EY-NR-NX-OI NH135 9,900	A4/C4	
4	TA-26 AO-EG-EY-MT-NR-NX NH17 7,157	A4/C4	
4	TA-26 AO-EG-EY-MT-NR-NY NH22 7,180	A4/C4	
4	TA-26 Plus AO-EG-EY-MT-NR-NX NH17 7,597	A4/C4	
4	TA-26 Plus AO-EG-EY-MT-NR-NY NH22 7,620	A4/C4	
4	TA-26-12 AO-EG-EY-MT-NR-NX NH17 8,417	A4/C4	
4	TA-26-12 AO-EG-EY-MT-NR-NY NH22 8,440	A4/C4	
4	TA-28 Plus AO-EG-EY-MT-NR-NX NH17 9,536	A4/C4	
4	TA-28 Plus AO-EG-EY-MT-NR-NY NH22 9,559	A4/C4	
4	TA-29 AO-EG-EY-MT-NR-NX NH17 9,891	A4/C4	
4	TA-29 AO-EG-EY-MT-NR-NY NH22 9,914	A4/C4	
4	CC-340 EH-EY-NR-NY NH18 9,950	A4/C4	
4	CC-340 EH-EY-NX NH23 9,950	A4/C4	
4	FM-540 EH-EY-NR-NY NH75 10,900	A4/C4	
4	FM-540 EH-EY-NR-NX NH76 10,900	A4/C4	

TRACTOR	LOADER SELECTION	MOUNTING BRACKETS	HYD.
---------	------------------	-------------------	------

WESTENDORF  
ONLINE  
DEALER SITE



Where the price is always right!

That's right folks, Westendorf's Online Dealer Site is the perfect companion to the Sales Manual and Price Guide because it is constantly being updated with new fits and current pricing. So, make sure you go to our website at [www.loaders.com](http://www.loaders.com) to sign up your dealership today!

TRACTOR	LOADER SELECTION	MOUNTING BRACKETS	HYD.						
MODEL	WD	FIT	LOADER MODEL	FOOTNOTES	BRKT	KIT	PACKAGE PRICE	REAR AXLE KIT	VALVE JOYSTICK PKG
<b>TW-10 SER II</b>									
2	WL-42	AA	42F09	9,409	INC	A4			
2	TA-26		F09	7,088		A4			
2	TA-26 Plus		F09	7,528		A4			
2	TA-26-12		F09	8,348		A4			
2	TA-28	NK	F09	8,996		A4			
2	TA-28 Plus	NK	F09	9,536		A4			
2	TA-29	NK	F09	9,891		A4			
2	TA-45	NK	F015	9,620		A4			
2	TA-46	NK	F015	10,970		A4			
2	TA-48	NK	F07	12,342		A4			
<b>TW-15</b>									
2	WL-42	AA-BU	42F09	9,409	INC	A4			
2	TA-26	BU	F09	7,088		A4			
2	TA-26 Plus	BU	F09	7,528		A4			
2	TA-26-12	BU	F09	8,348		A4			
2	TA-28	BU-NK	F09	8,996		A4			
2	TA-28 Plus	BU-NK	F09	9,536		A4			
2	TA-29	BU-NK	F09	9,891		A4			
2	TA-45	BU	F015	9,620		A4			
2	TA-46A	NK	F07	11,177		A4			
2	TA-46	BU-NK	F015	10,970		A4			
2	TA-48	BU	F07	12,342		A4			
4	TA-46A	EH-NK	F07	11,177		A4			
4	TA-48	BU-EH	F07	12,342		A4			
4	XTA-400	BU	400F01	12,280		A4			
<b>TW-15 SER II</b>									
2	WL-42	AA-BU	42F09	9,409	INC	A4			
2	TA-26	BU	F09	7,088		A4			
2	TA-26 Plus	BU	F09	7,528		A4			
2	TA-26-12	BU	F09	8,348		A4			
2	TA-28	BU-NK	F09	8,996		A4			
2	TA-28 Plus	BU-NK	F09	9,536		A4			
2	TA-29	BU-NK	F09	9,891		A4			
2	TA-45	BU	F015	9,620		A4			
2	TA-46A	NK	F07	11,177		A4			
2	TA-46	BU-NK	F015	10,970		A4			
2	TA-48	BU	F07	12,342		A4			
4	TA-46A	EH-NK	F07	11,177		A4			
4	TA-48	EH	F07	12,342		A4			
<b>TW-20</b>									
2	WL-42	AA	42F09	9,409	INC	A4			
2	TA-28	NK	F09	8,996		A4			
2	TA-28 Plus	NK	F09	9,536		A4			
2	TA-29	NK	F09	9,891		A4			
2	TA-45	NK	F015	9,620		A4			
2	TA-46	NK	F015	10,970		A4			
2	TA-46A	NK	F07	11,177		A4			
4	TA-46A	EH-NK	F07	11,177		A4			
4	TA-48	EH	F07	12,342		A4			
<b>TW-20 SER II</b>									
2	WL-42	AA	42F09	9,409	INC	A4			
2	TA-28	NK	F09	8,996		A4			
2	TA-28 Plus	NK	F09	9,536		A4			
2	TA-29	NK	F09	9,891		A4			
2	TA-45	NK	F015	9,620		A4			
2	TA-46	NK	F015	10,970		A4			
2	TA-48	NK	F07	12,342		A4			
<b>TW-25</b>									
2	TA-28	NK	F09	8,996		A4			
2	TA-28 Plus	NK	F09	9,536		A4			
2	TA-29	NK	F09	9,891		A4			
2	TA-46	NK	F09	9,891		A4			
2	TA-46A	NK	F014	11,476		A4			
2	TA-48	NK	F014	12,641		A4			
2	TA-76	F08	12,595		A4				
2	TA-77	F08	13,265		A4				
4	TA-46	AO-EJ-NK	F08	11,177		A4			
4	TA-46A	AO-EJ	F014	11,476		A4			
4	TA-48	AO-EJ	F014	12,641		A4			
4	TA-76	F08	12,595		A4				
4	TA-77	F08	13,265		A4				

TRACTOR	LOADER SELECTION	MOUNTING BRACKETS	HYD.						
MODEL	WD	FIT	LOADER MODEL	FOOTNOTES	BRKT	KIT	PACKAGE PRICE	REAR AXLE KIT	VALVE JOYSTICK PKG
<b>TW-25 SER II</b>									
2	TA-28	NK	F09	8,996		A4			
2	TA-28 Plus	NK	F09	9,536		A4			
2	TA-29	NK	F09	9,891		A4			
2	TA-46	NK	F08	11,177		A4			
2	TA-46A	NK	F014	11,476		A4			
2	TA-48	NK	F014	12,641		A4			
2	TA-76	F08	12,595		A4				
2	TA-77	F08	13,265		A4				
4	TA-46A	AO-EJ	F014	11,476		A4			
4	TA-46	AO-EJ-NK	F08	11,177		A4			
4	TA-48	AO-EJ	F014	12,641		A4			
4	TA-76	F08	12,595		A4				
4	TA-77	F08	13,265		A4				
<b>TW-30</b>									
2	WL-64	AQ	64F01	12,430	345	A4			
2	TA-46	NK	F08	11,177		A4			
2	TA-46A	NK	F014	11,476		A4			
2	TA-48	NK	F014	12,641		A4			
2	WL-64A	AA-AO	64AFO2	12,522	INC	A4			
4	TA-46A	AO-EJ	F014	11,476		A4			
4	TA-48	AO-EJ	F014	12,641		A4			
<b>TW-35</b>									
2	TA-46	NK	F08	11,177		A4			
2	TA-76	F08	12,595		A4				
2	TA-77	F08	13,265		A4				
4	TA-46	AO-EJ-NK	F08	11,177		A4			
4	TA-76	F08	12,595		A4				
4	TA-77	F08	13,265		A4				
<b>TW-35 SER II</b>									
2	TA-46	NK	F08	11,177		A4			
2	TA-76	F08	12,595		A4				
2	TA-77	F08	13,265		A4				
4	TA-46	AO-EJ-NK	F08	11,177		A4			
4	TA-76	F08	12,595		A4				
4	TA-77	F08	13,265		A4				
<b>TZ18DA</b>									
4	TA-52	EZ-OH	NH107	4,586		INC			
<b>TZ22DA</b>									
4	TA-52	EZ-OH	NH107	4,586		INC			
<b>TZ24DA</b>									
4	TA-52	EZ-OH	NH107	4,586		INC			
<b>TZ25DA</b>									
4	TA-52	EZ-OH	NH107	4,586		INC			
<b>WORKMASTER 45</b>									
2	TA-160	DH-MS-OH	CD114	5,637		INC			
2	TA-170	DH-MS-OH	CD114	6,055		INC			
4	TA-25	AO-EN-NK-OI	NH114	5,989		A4			
4	TA-26	AO-EN-NK-OI	NH114	7,249		A4			
4	TA-26 Plus	AO-EN-NK-OI	NH114	7,689		A4			
4	TA-26-12	AO-EN-NK-OI	NH114	8,509		A4			
<b>WORKMASTER 55</b>									
2	TA-160	DH-MS-OH	CD114	5,637		INC			
2	TA-170	DH-MS-OH	CD114	6,055		INC			
4	TA-160	AO-EN-MS-OH	NH113	5,775		INC			
4	TA-25	AO-EN-NK-OI	NH114	5,989		A4			
4	TA-26	AO-EN-NK-OI	NH114	7,249		A4			
4	TA-26 Plus	AO-EN-NK-OI	NH114	7,689		A4			
4	TA-26-12	AO-EN-NK-OI	NH114	8,509		A4			
<b>WORKMASTER 75</b>									
4	TA-26	AO-DL-EM-OI	NH117	7,065		A4			
4	TA-26 Plus	AO-DL-EM-OI	NH117	7,505		A4			
4	TA-26-12	AO-DL-EM-OI	NH117	8,325		A4			
4	FM-540	EM-OI	NH116	10,900		A4			

▲ Stock Mounting Kit • ☑ Best Fit(s) • See Appendix for Footnotes and Frame Identification on pages 159-167

P152 • TOLL FREE 866-423-2762 • PH (712) 423-2762 • FAX (712) 423-1460 • WWW.LOADERS.COM

If you cannot find the tractor that you wish to mount, please call. We fit new tractors daily. All prices and price classes are subject to change without notice.

TRACTOR	LOADER SELECTION	MOUNTING BRACKETS	HYD.						
MODEL	WD	FIT	LOADER MODEL	FOOTNOTES	BRKT	KIT	PACKAGE PRICE	REAR AXLE KIT	VALVE JOYSTICK PKG
<b>RHINO</b>									
<b>184</b>									
4	TA-55		55RH2	4,540		INC			
4	TA-111		111RH2	5,025		INC			
<b>254</b>									
4	TA-55		55RH1	4,678		INC			
4	TA-111		111RH1	5,163		INC			
<b>284</b>									
4	TA-111	AO	111RH1	5,163		INC			
<b>854</b>									
4	TA-28	AO-CI-DL-EF	RH2	9,042		A4			
4	TA-28 Plus	AO-CI-DL-EF	RH2	9,582		A4			
4	TA-29	AO-CI-DL-EF	RH2	9,937		A4			
4	TA-45	AO-CI-DL-EF	RH2	9,620		A4			
<b>6144</b>									
4	TA-26	AO-CI-DL	RH3	7,318		A4			
4	TA-26 Plus	AO-CI-DL	RH3	7,758		A4			
4	TA-26-12	AO-CI-DL	RH3	8,578		A4			
4	TA-28	AO-CI-DL	RH3	9,065		A4			
<b>TN654</b>									
4	TA-26	DG	RH1	6,950		A4			
4	TA-26 Plus	DG</							



TRACTOR	LOADER SELECTION	MOUNTING BRACKETS	HYD.						
MODEL	WD	FIT	LOADER MODEL	FOOTNOTES	BRKT	KIT	PACKAGE PRICE	REAR AXLE KIT	VALVE JOYSTICK PKG
<b>DORADO 65</b>									
4			TA-180	AA	AC77		7,056	INC	INC
4			TA-25	AA	AC78		6,081	INC	A4
4			TA-26	AA	AC76		7,341	INC	A4
4			TA-26 Plus	AA	AC76		7,781	INC	A4
4			TA-26-12	AA	AC76		8,601	INC	A4
<b>DORADO 76</b>									
4			TA-26	AA-AD-AP-EM-NK-GJ	AC43		7,180	INC	A4
4			TA-26 Plus	AA-AD-AP-EM-GJ	AC43		7,620	INC	A4
<b>DORADO 86</b>									
4			TA-26	AA-AD-AP-EM-NK-GJ	AC43		7,180	INC	A4
4			TA-26 Plus	AA-AD-AP-EM-GJ	AC43		7,620	INC	A4
<b>SOLARIS 25</b>									
4			TA-54	DH-MV-NM			4,540	INC	A4
<b>SOLARIS 25 HYDRO</b>									
4			TA-54	DH-MV-NM			4,540	INC	A4
<b>SOLARIS 35</b>									
4			TA-54	DH-MV-NM			4,540	INC	A4
<b>SOLARIS 45</b>									
4			TA-54	AO-DH-MV-NM			4,540	INC	A4
<b>SATOH</b>									
TRACTOR	LOADER SELECTION	MOUNTING BRACKETS	HYD.						
MODEL	WD	FIT	LOADER MODEL	FOOTNOTES	BRKT	KIT	PACKAGE PRICE	REAR AXLE KIT	VALVE JOYSTICK PKG
<b>STALLION S-750D</b>									
2			TA-25		SO3		5,736		A4
<b>TAFE</b>									
TRACTOR	LOADER SELECTION	MOUNTING BRACKETS	HYD.						
MODEL	WD	FIT	LOADER MODEL	FOOTNOTES	BRKT	KIT	PACKAGE PRICE	REAR AXLE KIT	VALVE JOYSTICK PKG
<b>25DI</b>									
2			TA-111	DL	TF3		5,186		INC
<b>35DI</b>									
2			TA-180	BY	TF2		5,591		INC
2			TA-180		MF2		6,734		INC
2			TA-25		TF4		5,736		A4
2			TA-26	OJ	TF4		6,996		A4
2			TA-26 Plus	OJ	TF4		7,436		A4
<b>45</b>									
2			TA-25	BY	TF1		5,782		A4
<b>45DI</b>									
2			TA-180	BY	TF2		5,591		INC
2			TA-180		MF2		6,780		INC
4			TA-25	AO-BY-EQ	MF24		5,690		A4
4			TA-26	AO-BY-EQ-OJ	MF24		6,950		A4
4			TA-26 Plus	AO-BY-EQ-OJ	MF24		7,390		A4
<b>TYM</b>									
TRACTOR	LOADER SELECTION	MOUNTING BRACKETS	HYD.						
MODEL	WD	FIT	LOADER MODEL	FOOTNOTES	BRKT	KIT	PACKAGE PRICE	REAR AXLE KIT	VALVE JOYSTICK PKG
<b>AVENGER T390</b>									
4			TA-170		CALL		6,055		INC
4			TA-175		CALL		6,395		INC
<b>AVENGER T430</b>									
4			TA-170		CALL		6,055		INC
4			TA-175		CALL		6,395		INC
<b>COMMANDER T431</b>									
4			TA-180		CALL		6,665		INC
<b>MILLENNIUM T390</b>									
4			TA-170		CALL		6,055		INC
4			TA-175		CALL		6,395		INC
<b>MILLENNIUM T430</b>									
4			TA-170		CALL		6,055		INC
4			TA-175		CALL		6,395		INC
<b>MILLENNIUM T550</b>									
4			TA-180		CALL		6,665		INC
<b>SCORPION T300HST</b>									
4			TA-170	MS	MH13		6,055		INC
4			TA-175	MS	MH13		6,395		INC

TRACTOR	LOADER SELECTION	MOUNTING BRACKETS	HYD.						
MODEL	WD	FIT	LOADER MODEL	FOOTNOTES	BRKT	KIT	PACKAGE PRICE	REAR AXLE KIT	VALVE JOYSTICK PKG
<b>VALMET</b>									
<b>148</b>									
4			TA-46		VA3		10,970		A4
<b>800</b>									
4			TA-28	AO-EG	VA4		8,996		A4
4			TA-28 Plus	AO-EG	VA4		9,559		A4
4			TA-29	AO-EG	VA4		9,914		A4
4			TA-45	AO-EG-MV	VA4		9,620		A4
<b>880</b>									
2			TA-26		VA1		7,180		A4
2			TA-26 Plus		VA1		7,620		A4
2			TA-26-12		VA1		8,440		A4
2			TA-28		VA1		9,180		A4
<b>900</b>									
4			TA-28	AO-EG	VA4		8,996		A4
4			TA-28 Plus	AO-EG	VA4		9,559		A4
4			TA-29	AO-EG	VA4		9,914		A4
4			TA-45	AO-EG-MV	VA4		9,620		A4
<b>980</b>									
4			TA-28SP	ML-NK	VA2		9,341		A4
<b>VALTRA</b>									
TRACTOR	LOADER SELECTION	MOUNTING BRACKETS	HYD.						
MODEL	WD	FIT	LOADER MODEL	FOOTNOTES	BRKT	KIT	PACKAGE PRICE	REAR AXLE KIT	VALVE JOYSTICK PKG
<b>6200</b>									
4			XTA-400	EH	VA5		11,820		A4
4			CC-360	EH	VA6		11,995		A4
<b>6250</b>									
4			XTA-400	EH	VA5		11,820		A4
4			CC-360	EH	VA6		11,995		A4
<b>6300</b>									
4			XTA-400	EH	VA5		11,820		A4
4			CC-360	EH	VA6		11,995		A4
<b>6350</b>									
4			XTA-400	EH	VA5		11,820		A4
4			CC-360	EH	VA6		11,995		A4
<b>6400</b>									
4			XTA-400	EH	VA5		11,820		A4
4			CC-360	EH	VA6		11,995		A4
<b>6550</b>									
4			XTA-400	EH	VA5		11,820		A4
4			CC-360	EH	VA6		11,995		A4
<b>6850</b>									
4			XTA-400	EH	VA5		11,820		A4
4			CC-360	EH	VA6		11,995		A4
<b>A82</b>									
4			TA-26	AO-MT	VA7		7,042		A4
4			TA-26 Plus	AO-MT	VA7		7,482		A4
4			TA-26-12	AO-MT	VA7		8,302		A4
4			TA-28 Plus	AO-MT	VA7		9,582		A4
4			TA-29	AO-MT	VA7		9,937		A4
<b>A92</b>									
4			TA-26	AO-MT	VA7		7,042		A4
4			TA-26 Plus	AO-MT	VA7		7,482		A4
4			TA-26-12	AO-MT	VA7		8,302		A4
4			TA-28 Plus	AO-MT	VA7		9,582		A4
4			TA-29	AO-MT	VA7		9,937		A4

TRACTOR	LOADER SELECTION	MOUNTING BRACKETS	HYD.						
MODEL	WD	FIT	LOADER MODEL	FOOTNOTES	BRKT	KIT	PACKAGE PRICE	REAR AXLE KIT	VALVE JOYSTICK PKG
<b>WHITE - AGCO WHITE - OLIVER</b>									
<b>2-32</b>									
2			TA-111A	AA-CH-DL	OW40		5,025	INC	INC
2			TA-25	AA-CH-DL	OW7		5,690	INC	A4
4			TA-25	AA-CH-DL	OW7		5,690	INC	A4
<b>2-35</b>									
2			TA-111		111OW1		5,025		INC
<b>2-45</b>									
2			WL-21		21OW6		6,711		A4
2			TA-25	AA	OW4		6,150	INC	A4
2			TA-26	AA	OW4		7,410	INC	A4
2			TA-26 Plus	AA	OW4		7,850	INC	A4
2			TA-26-12	AA	OW4		8,670	INC	A4
4			TA-25	AA	OW4		6,150	INC	A4
4			TA-26	AA	OW4		7,410	INC	A4
4			TA-26 Plus	AA	OW4		7,850	INC	A4
4			TA-26-12	AA	OW4		8,670	INC	A4
<b>2-50</b>									
2			TA-160	OH	OW34		5,706		INC
2			WL-21		LO1		6,757		A4
2			WL-27		LO1		7,787		A4
2			TA-25		LO1		5,897		A4
2			TA-26		LO1		7,157		A4
2			TA-26 Plus		LO1		7,597		A4
2			TA-26-12		LO1		8,417		A4
<b>2-55</b>									
2			TA-25	AA	OW4		6,150	INC	A4
2			TA-26	AA	OW4		7,410	INC	A4
2			TA-26 Plus	AA	OW4		7,850	INC	A4
2			TA-26-12	AA	OW4		8,670	INC	A4
4			TA-25	AA	OW4		6,150	INC	A4
4			TA-26	AA	OW4		7,410	INC	A4
4			TA-26 Plus	AA	OW4		7,850	INC	A4
4			TA-26-12	AA	OW4		8,670	INC	A4
<b>2-60</b>									
2			TA-160	OH	OW34		5,706		INC
2			WL-21		LO1		6,757		A4
2			WL-27		LO1		7,787		A4
2			TA-25		LO1		5,897		A4
2			TA-26		LO1		7,157		A4
2			TA-26 Plus		LO1		7,597		A4
2			TA-26-12		LO1		8,417		A4
4			WL-42	AO	42OW6		9,202		A4
<b>2-62</b>									
2			WL-21		21OW7		7,010		A4
2			TA-25	AA	OW4		6,150	INC	A4
2			TA-26	AA	OW4		7,410	INC	A4
2			TA-26 Plus	AA	OW4		7,850	INC	A4
2			TA-26-12	AA	OW4		8,670	INC	A4
4			WL-42	AA	42OW8		9,501	INC	A4
4			TA-25	AA	OW4		6,150	INC	A4
4			TA-26	AA	OW4		7,410	INC	A4
4			TA-26 Plus	AA	OW4		7,850	INC	A4
4			TA-26-12	AA	OW4		8,670	INC	A4
4			TA-26 Plus	AA	OW4		7,850	INC	A4
4			TA-26-12	AA	OW4		8,670	INC	A4
<b>2-65</b>									
2			TA-25	AA	OW4		6,150	INC	A4
2			TA-26	AA	OW4		7,410	INC	A4

TRACTOR	LOADER SELECTION	MOUNTING BRACKETS	HYD.							
MODEL	WD	FIT	LOADER MODEL	FOOTNOTES	BRKT	KIT	PACKAGE PRICE	REAR AXLE KIT	VALVE JOYSTICK PKG.	
1550	2		WL-21		21OW4		6,550		A4	
	2		WL-42		42OW3		8,995		A4	
	2		TA-25	NG-NK	OW1▲		5,690		A4	
	2		TA-26	NH	OW38		6,950		A4	
	2		TA-26	NK	OW1▲		6,950		A4	
	2		TA-26 Plus	NK	OW1▲		7,390		A4	
	2		TA-26 Plus	NH	OW38		7,390		A4	
	2		TA-26-12	NH	OW1▲		8,210		A4	
	2		TA-26-12	NK	OW38		8,210		A4	
	2		TA-28	CS-NG	OW1▲		8,950		A4	
	2		TA-28	NH	OW38		8,950		A4	
	2		TA-28 Plus	CS-NG	OW1▲		9,490		A4	
	2		TA-28 Plus	NH	OW38		9,490		A4	
	2		TA-29	CS-NG	OW1▲		9,845		A4	
	2		TA-29	NH	OW38		9,845		A4	
	2		TA-45	CS-NG	OW1▲		9,620		A4	
	2		TA-45	NH	OW38		9,620		A4	
	2		TA-46	NG	OW1▲		10,970		A4	
	2		TA-48	NG	OW1▲		12,135		A4	
	1600	2		WL-42		42OW3		8,995		A4
2			TA-25	NG-NK	OW1▲		5,690		A4	
2			TA-26	NH	OW38		6,950		A4	
2			TA-26	NG-NK	OW1▲		6,950		A4	
2			TA-26 Plus	NG-NK	OW1▲		7,390		A4	
2			TA-26 Plus	NH	OW38		7,390		A4	
2			TA-26-12	NG-NK	OW1▲		8,210		A4	
2			TA-26-12	NH	OW38		8,210		A4	
2			TA-28	CS-NG	OW1▲		8,950		A4	
2			TA-28	NH	OW38		8,950		A4	
2			TA-28 Plus	CS-NG	OW1▲		9,490		A4	
2			TA-28 Plus	NH	OW38		9,490		A4	
2			TA-29	CS-NG	OW1▲		9,845		A4	
2			TA-29	NH	OW38		9,845		A4	
2			TA-45	CS-NG	OW1▲		9,620		A4	
2			TA-45	NH	OW38		9,620		A4	
2			TA-46	NG	OW1▲		10,970		A4	
2			TA-48	NG	OW1▲		12,135		A4	
1650		2		WL-21		21OW5		6,596		A4
		2		WL-27		27OW5		7,626		A4
	2		WL-42		42OW3		8,995		A4	
	2		TA-25	NG-NK	OW1▲		5,690		A4	
	2		TA-26	NH	OW38		6,950		A4	
	2		TA-26	NK	OW1▲		6,950		A4	
	2		TA-26 Plus	NK	OW1▲		7,390		A4	
	2		TA-26 Plus	NH	OW38		7,390		A4	
	2		TA-26-12	NK	OW1▲		8,210		A4	
	2		TA-26-12	NH	OW38		8,210		A4	
	2		TA-28	CS-NG	OW1▲		8,950		A4	
	2		TA-28	NH	OW38		8,950		A4	
	2		TA-28 Plus	CS-NG	OW1▲		9,490		A4	
	2		TA-28 Plus	NH	OW38		9,490		A4	
	2		TA-29	CS-NG	OW1▲		9,845		A4	
	2		TA-29	NH	OW38		9,845		A4	
	2		TA-45	CS-NG	OW1▲		9,620		A4	
	2		TA-45	NH	OW38		9,620		A4	
	2		TA-46	NG	OW1▲		10,970		A4	
	2		TA-48	NG	OW1▲		12,135		A4	
1655	2		WL-21		21OW5		6,596		A4	
	2		WL-27		27OW5		7,626		A4	
	2		WL-42		42OW3		8,995		A4	
	2		TA-26	NH	OW38		6,950		A4	
	2		TA-26	NK	OW1▲		6,950		A4	
	2		TA-26 Plus	NK	OW1▲		7,390		A4	
	2		TA-26 Plus	NH	OW38		7,390		A4	
	2		TA-26-12	NK	OW1▲		8,210		A4	
	2		TA-26-12	NH	OW38		8,210		A4	
	2		TA-28	CS-NG	OW1▲		8,950		A4	
	2		TA-28	NH	OW38		8,950		A4	
	2		TA-28 Plus	CS-NG	OW1▲		9,490		A4	
	2		TA-28 Plus	NH	OW38		9,490		A4	
	2		TA-29	CS-NG	OW1▲		9,845		A4	
	2		TA-29	NH	OW38		9,845		A4	
	2		TA-45	CS-NG	OW1▲		9,620		A4	
	2		TA-45	NH	OW38		9,620		A4	
	2		TA-46	NG	OW1▲		10,970		A4	
	2		TA-48	NG	OW1▲		12,135		A4	

TRACTOR	LOADER SELECTION	MOUNTING BRACKETS	HYD.							
MODEL	WD	FIT	LOADER MODEL	FOOTNOTES	BRKT	KIT	PACKAGE PRICE	REAR AXLE KIT	VALVE JOYSTICK PKG.	
1750	2		WL-21		21OW5		6,596		A4	
	2		WL-27		27OW5		7,626		A4	
	2		WL-42		42OW3		8,995		A4	
	2		TA-26	NG-NK	OW1▲		6,950		A4	
	2		TA-26	NH	OW38		6,950		A4	
	2		TA-26 Plus	NG-NK	OW1▲		7,390		A4	
	2		TA-26 Plus	NH	OW38		7,390		A4	
	2		TA-26-12	NG-NK	OW1▲		8,210		A4	
	2		TA-26-12	NH	OW38		8,210		A4	
	2		TA-28	CS-NG	OW1▲		8,950		A4	
	2		TA-28	NH	OW38		8,950		A4	
	2		TA-28 Plus	CS-NG	OW1▲		9,490		A4	
	2		TA-28 Plus	NH	OW38		9,490		A4	
	2		TA-29	CS-NG	OW1▲		9,845		A4	
	2		TA-29	NH	OW38		9,845		A4	
	2		TA-45	CS-NG	OW1▲		9,620		A4	
	2		TA-45	NH	OW38		9,620		A4	
	2		TA-46	NG	OW1▲		10,970		A4	
	2		TA-48	NG	OW1▲		12,135		A4	
	1755	2		WL-21		21OW5		6,596		A4
2			WL-27		27OW5		7,626		A4	
2			WL-42		42OW3		8,995		A4	
2			TA-26	NG-NK	OW1▲		6,950		A4	
2			TA-26	NH	OW38		6,950		A4	
2			TA-26 Plus	NG-NK	OW1▲		7,390		A4	
2			TA-26 Plus	NH	OW38		7,390		A4	
2			TA-26-12	NG-NK	OW1▲		8,210		A4	
2			TA-26-12	NH	OW38		8,210		A4	
2			TA-28	CS-NG	OW1▲		8,950		A4	
2			TA-28	NH	OW38		8,950		A4	
2			TA-28 Plus	CS-NG	OW1▲		9,490		A4	
2			TA-28 Plus	NH	OW38		9,490		A4	
2			TA-29	CS-NG	OW1▲		9,845		A4	
2			TA-29	NH	OW38		9,845		A4	
2			TA-45	CS-NG	OW1▲		9,620		A4	
2			TA-45	NH	OW38		9,620		A4	
2			TA-46	NG	OW1▲		10,970		A4	
2			TA-48	NG	OW1▲		12,135		A4	
4			TA-46A		OW2		10,993		A4	
4		TA-48		OW2		12,158		A4		
1800	2		WL-27		27OW5		7,626		A4	
	2		WL-42		42OW3		8,995		A4	
	2		TA-26	NG-NK	OW1▲		6,950		A4	
	2		TA-26	NH	OW38		6,950		A4	
	2		TA-26 Plus	NG-NK	OW1▲		7,390		A4	
	2		TA-26 Plus	NH	OW38		7,390		A4	
	2		TA-26-12	NG-NK	OW1▲		8,210		A4	
	2		TA-26-12	NH	OW38		8,210		A4	
	2		TA-28	CS-NG	OW1▲		8,950		A4	
	2		TA-28	NH	OW38		8,950		A4	
	2		TA-28 Plus	CS-NG	OW1▲		9,490		A4	
	2		TA-28 Plus	NH	OW38		9,490		A4	
	2		TA-29	CS-NG	OW1▲		9,845		A4	
	2		TA-29	NH	OW38		9,845		A4	
	2		TA-45	CS-NG	OW1▲		9,620		A4	
	2		TA-45	NH	OW38		9,620		A4	
	2		TA-46	NG	OW1▲		10,970		A4	
	2		TA-48	NG	OW1▲		12,135		A4	
	1850	2		WL-21		21OW5		6,596		A4
		2		WL-27		27OW5		7,626		A4
2			WL-42		42OW3		8,995		A4	
2			TA-26	NG-NK	OW1▲		6,950		A4	
2			TA-26	NH	OW38		6,950		A4	
2			TA-26 Plus	NG-NK	OW1▲		7,390		A4	
2			TA-26 Plus	NH	OW38		7,390		A4	
2			TA-26-12	NG-NK	OW1▲		8,210		A4	
2			TA-26-12	NH	OW38		8,210		A4	
2			TA-28	CS-NG	OW1▲		8,950		A4	
2			TA-28	NH	OW38		8,950		A4	
2			TA-28 Plus	CS-NG	OW1▲		9,490		A4	
2			TA-28 Plus	NH	OW38		9,490		A4	
2			TA-29	CS-NG	OW1▲		9,845		A4	
2			TA-29	NH	OW38		9,845		A4	
2			TA-45	CS-NG	OW1▲		9,620		A4	
2			TA-45	NH	OW38		9,620		A4	
2			TA-46	NG	OW1▲		10,970		A4	
2			TA-48	NG	OW1▲		12,135		A4	
4			WL-64		64OW2		12,430		A4	

TRACTOR	LOADER SELECTION	MOUNTING BRACKETS	HYD.						
MODEL	WD	FIT	LOADER MODEL	FOOTNOTES	BRKT	KIT	PACKAGE PRICE	REAR AXLE KIT	VALVE JOYSTICK PKG.
1855	2		WL-21		21OW5		6,596		A4
	2		WL-27		27OW5		7,626		A4
	2		WL-42		42OW3		8,995		A4
	2								



YANMAR						
TRACTOR	LOADER SELECTION		MOUNTING BRACKETS		HYD.	
MODEL WD	FIT	LOADER MODEL	FOOTNOTES	BRKT KIT	PACKAGE PRICE	REAR AXLE KIT VALVE JOYSTICK PKG
FX 435	4	TA-160		YA1	5,430	INC
YM226D	2	TA-111A	CI	111YA1	5,117	INC
	4	TA-111A	CI	111YA1	5,117	INC
ZEBRA						
TRACTOR	LOADER SELECTION		MOUNTING BRACKETS		HYD.	
MODEL WD	FIT	LOADER MODEL	FOOTNOTES	BRKT KIT	PACKAGE PRICE	REAR AXLE KIT VALVE JOYSTICK PKG
3520	2	TA-111A	CI-MW	111ZB1	5,278	INC
	2	TA-160		ZB2	5,614	INC
ZETOR						
TRACTOR	LOADER SELECTION		MOUNTING BRACKETS		HYD.	
MODEL WD	FIT	LOADER MODEL	FOOTNOTES	BRKT KIT	PACKAGE PRICE	REAR AXLE KIT VALVE JOYSTICK PKG
3320	2	TA-180	AA-DU	ZT16	6,964	INC
	2	TA-25		ZT16	5,989	A4
	2	TA-26		ZT16	7,249	A4
	2	TA-26 Plus		ZT16	7,689	A4
	2	TA-26-12		ZT16	8,509	A4
3320 LOW PROFILE	2	TA-160		ZT15	5,637	INC
3340	4	TA-25		ZT10	5,989	INC
	4	TA-26	AA-BQ-EN-GG	ZT12	7,249	INC
	4	TA-26	AA-BQ-EN-GF	ZT10	7,249	INC
	4	TA-26 Plus	AA-BQ-EN-GF	ZT10	7,689	INC
	4	TA-26 Plus	AA-BQ-EN-GG	ZT12	7,689	INC
	4	TA-26-12	AA-BQ-EN-GF	ZT10	8,509	INC
	4	TA-26-12	AA-BQ-EN-GG	ZT12	8,509	INC
4320	2	TA-25	AA-DH-DU	ZT4	5,874	INC
	2	TA-26	AA-DH-DU	ZT4	7,134	INC
	2	TA-26 Plus	AA-DH-DU	ZT4	7,574	INC
	2	TA-26-12	AA-DH-DU	ZT4	8,394	INC
4340	4	TA-26	AA-AO-DU-ED-EE	ZT9	7,157	INC
	4	TA-26 Plus	AA-AO-DU-ED-EE	ZT9	7,597	INC
	4	TA-26-12	AA-AO-DU-ED-EE	ZT9	8,417	INC
4341	4	TA-26	AO-EL-MT	ZT14	7,341	A4
	4	TA-26 Plus	AO-EL-MT	ZT14	7,781	A4
	4	TA-26-12	AO-EL-MT	ZT14	8,601	A4
5211	2	TA-25	AA-MI-DL	ZT6	5,966	INC
	2	TA-26	AA-AC-MI	ZT6	7,226	INC
	2	TA-26 Plus	AA-AC-MI	ZT6	7,666	INC
	2	TA-26-12	AA-AC-MI	ZT6	8,486	INC
5211 LOW PROFILE	2	TA-25	AA	ZT3	5,943	INC
	2	TA-26	AA	ZT3	7,203	INC
	2	TA-26 Plus	AA	ZT3	7,643	INC
	2	TA-26-12	AA	ZT3	8,463	INC
5245	4	TA-26	AA-AC-ED-MI	ZT6	7,226	INC
	4	TA-26 Plus	AA-AC-ED-MI	ZT6	7,666	INC
	4	TA-26-12	AA-AC-ED-MI	ZT6	8,486	INC
6211	2	TA-25	AA-DH-DU	ZT4	5,874	INC
	2	TA-26	AA-DH-DU	ZT4	7,134	INC
	2	TA-26 Plus	AA-DH-DU	ZT4	7,574	INC
	2	TA-26-12	AA-DH-DU	ZT4	8,394	INC
6245	4	TA-26	AA-MI-DU-ED	ZT1	7,272	INC
	4	TA-26 Plus	AA-MI-DU-ED	ZT1	7,712	INC
	4	TA-26-12	AA-MI-DU-ED	ZT1	8,532	INC
6320	2	TA-25	AA-DH-DU	ZT4	5,874	INC
	2	TA-26	AA-DH-DU	ZT4	7,134	INC
	2	TA-26 Plus	AA-DH-DU	ZT4	7,574	INC
	2	TA-26-12	AA-DH-DU	ZT4	8,394	INC
6340	4	TA-26	AA-AO-DU-ED-EE	ZT9	7,157	INC
	4	TA-26 Plus	AA-AO-DU-ED-EE	ZT9	7,597	INC
	4	TA-26-12	AA-AO-DU-ED-EE	ZT9	8,417	INC


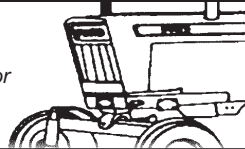
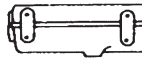

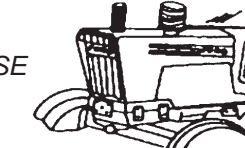
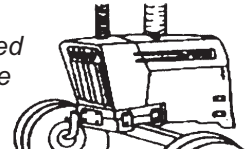
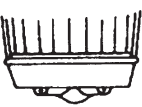
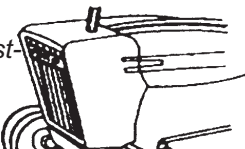
TRACTOR	LOADER SELECTION		MOUNTING BRACKETS		HYD.	
MODEL WD	FIT	LOADER MODEL	FOOTNOTES	BRKT KIT	PACKAGE PRICE	REAR AXLE KIT VALVE JOYSTICK PKG
6341	4	TA-26	AO-EL-MT	ZT14	7,341	A4
	4	TA-26 Plus	AO-EL-MT	ZT14	7,781	A4
	4	TA-26-12	AO-EL-MT	ZT14	8,601	A4
7211	2	TA-25	AA-DH-DU	ZT4	5,874	INC
	2	TA-26	AA-DH-DU	ZT4	7,134	INC
	2	TA-26 Plus	AA-DH-DU	ZT4	7,574	INC
	2	TA-26-12	AA-DH-DU	ZT4	8,394	INC
7245	4	TA-26	AA-MI-DU-ED	ZT1	7,272	INC
	4	TA-26 Plus	AA-MI-DU-ED	ZT1	7,712	INC
	4	TA-26-12	AA-MI-DU-ED	ZT1	8,532	INC
7320	2	TA-25	AA-DH-DU	ZT4	5,874	INC
	2	TA-26	AA-DH-DU	ZT4	7,134	INC
	2	TA-26 Plus	AA-DH-DU	ZT4	7,574	INC
	2	TA-26-12	AA-DH-DU	ZT4	8,394	INC
7340	4	TA-26	AA-AO-DU-ED-EE	ZT9	7,157	INC
	4	TA-26 Plus	AA-AO-DU-ED-EE	ZT9	7,597	INC
	4	TA-26-12	AA-AO-DU-ED-EE	ZT9	8,417	INC
7341	4	TA-26	AO-EL-MT	ZT14	7,341	A4
	4	TA-26 Plus	AO-EL-MT	ZT14	7,781	A4
	4	TA-26-12	AO-EL-MT	ZT14	8,601	A4
7711	2	TA-26	AA-MI-DU	ZT1	7,272	INC
	2	TA-26 Plus	AA-MI-DU	ZT1	7,712	INC
	2	TA-26-12	AA-MI-DU	ZT1	8,532	INC
7745	4	TA-26	AA-MI-DU-ED	ZT1	7,272	INC
	4	TA-26 Plus	AA-MI-DU-ED	ZT1	7,712	INC
	4	TA-26-12	AA-MI-DU-ED	ZT1	8,532	INC
8111	2	WL-21	DL	21ZT1	6,550	A4
	2	TA-26	AC	ZT2	6,950	A4
	2	TA-26 Plus	AC	ZT2	7,390	A4
	2	TA-26-12	AC	ZT2	8,210	A4
8145	4	TA-26	AC-ED	ZT2	6,950	A4
	4	TA-26 Plus	AC-ED	ZT2	7,390	A4
	4	TA-26-12	AC-ED	ZT2	8,210	A4
	4	TA-28		ZT2	8,950	A4
9520	2	WL-42		42AZT1	9,386	A4
	2	TA-26	AA-DL-NK	ZT8	7,410	INC
	2	TA-26 Plus	AA-DL-NK	ZT8	7,850	INC
	2	TA-26-12	AA-DL-NK	ZT8	8,670	INC
	2	TA-28	AA-DL	ZT8	9,295	INC
	2	TA-28 Plus	AA-DL	ZT8	9,835	INC
	2	TA-29	AA-DL	ZT8	10,190	INC
9540	4	TA-26	AA-DL-NK	ZT8	7,410	INC
	4	TA-26 Plus	AA-DL-NK	ZT8	7,850	INC
	4	TA-26-12	AA-DL-NK	ZT8	8,670	INC
	4	TA-28	AA-DL	ZT8	9,295	INC
	4	TA-28 Plus	AA-DL	ZT8	9,835	INC
	4	TA-29	AA-DL	ZT8	10,190	INC
9741	4	MAX 420	AA-EG-OI	ZT20	8,900	A4
	4	TA-26	AA-EE-OF-OI	ZT17	7,226	INC
	4	TA-26 Plus	AA-EE-OF-OI	ZT17	7,666	INC
	4	TA-26-12	AA-EE-OF-OI	ZT17	8,486	INC
	4	CC-340	AA-EG-OI	ZT19	9,950	A4
9742	4	MAX 420	AA-EG-OI	ZT20	8,900	A4
	4	CC-340	AA-EG-OI	ZT19	9,950	A4
10145	4	TA-26	AC	ZT2	6,950	A4
	4	TA-26 Plus	AC	ZT2	7,390	A4
	4	TA-26-12	AC	ZT2	8,210	A4
	4	TA-28		ZT2	8,950	A4
10540	4	TA-28	EG-DL	ZT13	9,226	A4
	4	TA-28 Plus	DL-EG	ZT13	9,766	A4
	4	TA-29	DL-EG	ZT13	10,121	A4

TRACTOR	LOADER SELECTION		MOUNTING BRACKETS		HYD.	
MODEL WD	FIT	LOADER MODEL	FOOTNOTES	BRKT KIT	PACKAGE PRICE	REAR AXLE KIT VALVE JOYSTICK PKG
10741	4	MAX 420	AA-EG-OI	ZT20	8,900	A4
	4	TA-26	AA-EE-OF-OI	ZT17	7,226	A4
	4	TA-26 Plus	AA-EE-OF-OI	ZT17	7,666	A4
	4	TA-26-12	AA-EE-OF-OI	ZT17	8,486	A4
	4	CC-340	AA-EG-OI	ZT19	9,950	A4
10742	4	MAX 420	AA-EG-OI	ZT20	8,900	A4
	4	CC-340	AA-EG-OI	ZT19	9,950	A4
11741	4	MAX 420	AA-EG-OI	ZT20	8,900	A4
	4	TA-26	AA-EE-OF-OI	ZT17	7,226	A4
	4	TA-26 Plus	AA-EE-OF-OI	ZT17	7,666	A4
	4	TA-26-12	AA-EE-OF-OI	ZT17	8,486	A4
	4	CC-340	AA-EG-OI	ZT19	9,950	A4
12145	4	TA-28	AO-AC	ZT5	8,950	A4
12245	4	TA-28		ZT11	9,065	A4
	4	TA-28 Plus	AO-DL	ZT11	9,628	A4
	4	TA-29	AO-DL	ZT11	9,983	A4
	4	TA-45		ZT11	9,712	A4
12741	4	MAX 420	AA-EG-OI	ZT20	8,900	A4
	4	TA-26	AA-EE-OF-OI	ZT17	7,226	A4
	4	TA-26 Plus	AA-EE-OF-OI	ZT17	7,666	A4
	4	TA-26-12	AA-EE-OF-OI	ZT17	8,486	A4
	4	CC-340	AA-EG-OI	ZT19	9,950	A4
12742	4	MAX 420	AA-EG-OI	ZT20	8,900	A4
	4	CC-340	AA-EG-OI	ZT19	9,950	A4
13241	4	MAX 420	AA-EG-OI	ZT20	8,900	A4
	4	TA-26	AA-EE-OF-OI	ZT17	7,226	A4
	4	TA-26 Plus	AA-EE-OF-OI	ZT17	7,666	A4
	4	TA-26-12	AA-EE-OF-OI	ZT17	8,486	A4
	4	CC-340	AA-EG-OI	ZT19	9,950	A4
16145	4	TA-45	AA-AC	ZT7	9,942	INC
	4	TA-46	AA	ZT7	11,292	INC
16245	4	TA-46	AA-AO-BQ-EH	ZT7	11,292	INC

# IDENTIFICATION

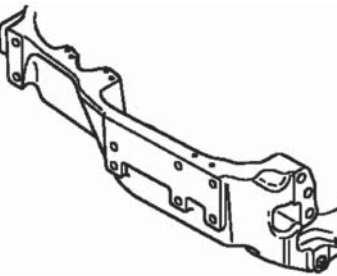
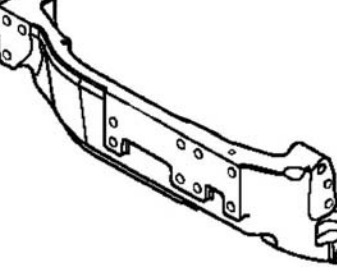
## AS FOOTNOTE: Ford Tractor ID

Ford tractor model numbers and serial numbers do not give us the information we need to know for the correct mounting brackets. The following will help identify, by picture, the type of tractor you have. Ford often adds different items, such as power steering, generators, air conditioning, cab brackets, etc. which are not the same as the Ford on which we mounted a loader. Be advised that adjustments may have to be made to make the final fit. Additional work may be needed; keep this in mind when quoting price.

TYPE	FRONT CASTING	TRACTOR & MISC INFORMATION
1	Side View 	Row Crop Series Note: Can be either narrow or wide front. 
2	A Side View  B Side View 	Standard ALL PURPOSE  This type has a recessed casting for the front axle to oscillate in. 
3	Front View 	This type has a sheet metal front end with casting or plate used for mounting up underneath the front. 

## AT FOOTNOTE: Case IH or New Holland ID

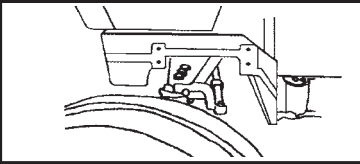
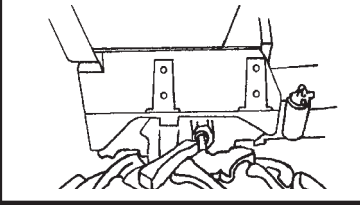
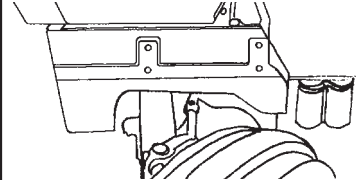
Case - IH and New Holland model numbers do not give us the information we need to know for ordering correct mounting brackets. The following will help identify, by picture and serial number, the type of tractor you have. Be advised that adjustments may have to be made to make the final fit; keep this in mind when quoting price.

TYPE	FRONT CASTING	TRACTOR & MISC INFORMATION
6		Serial number equal to or below: Z9BL40000 for Case IH tractors Z9BK40000 for New Holland tractors
7		Case IH tractors with serial number Z9BL40001 and above or produced after 2009. New Holland tractors with serial number Z9BK40001 and above or produced after 2009.

# IDENTIFICATION


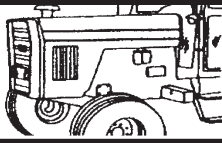
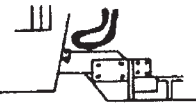
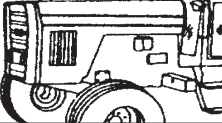
## AU FOOTNOTE: Case IH or McCormick ID

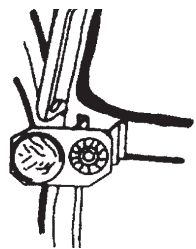
Case - IH and McCormick model numbers and serial numbers do not give us the information we need to know for ordering correct mounting brackets. The following will help identify, by picture, the type of tractor you have. Be advised that adjustments may have to be made to make the final fit; keep this in mind when quoting price.

TYPE	FRONT CASTING	TRACTOR & MISC INFORMATION
1		Tractors with this type of front casting Reference : IH3 and CD27
2		Tractors with this type front casting.
3		Tractors with this type front casting. Reference: IH3, CD11, CD24, CD25 & CD26

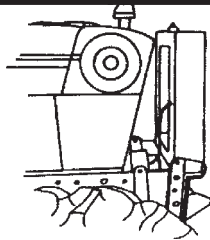
## BH & BI FOOTNOTES: Massey Ferguson ID

Massey Ferguson has two different frame designs on the 2705 tractor. Choose the one that matches your tractor and order accordingly.

TYPE	FRONT CASTING	TRACTOR & MISC INFORMATION
1	Side View 	Serial # up to 7355 
2	Side View 	Serial # 7536 and up 



**Optional Light Bracket**  
This bracket is available for tractors with cab, on which the loader covers the light. The bracket will extend the light above or off to the side so the light can be used effectively. For additional information contact Westendorf MFG.

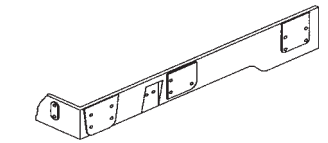
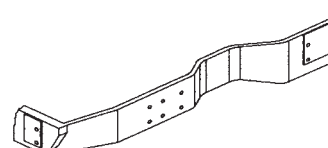


**Optional Oil Tank**  
Oil tank is available for use when an auxiliary hydraulic system is going to be installed on a tractor. Both front mount and rear axle mount tanks are available. Pictured is front mount used on Ford and other tractors with front mount pumps. For additional information contact Westendorf MFG.

# IDENTIFICATION

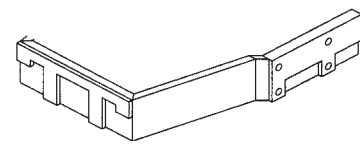
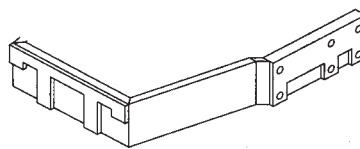
## GM FOOTNOTE: Agco-Allis or White ID

Agco - Allis - White model numbers and serial numbers do not give us the information we need to know for ordering correct mounting brackets. The following will help identify, by picture, the type of tractor you have. Be advised that adjustments may have to be made to make the final fit; keep this in mind when quoting price.

TYPE	FRONT CASTING	TRACTOR & MISC INFORMATION
1		Straight Frame
2		Sculptured Frame

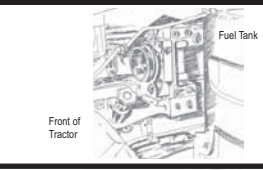
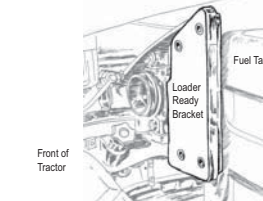
## NG & NH FOOTNOTES: New Holland or Oliver ID

New Holland - Oliver tractor model numbers and serial numbers do not give us the information we need to know for ordering the correct mounting brackets. The following will help identify, by picture, the type of tractor you have. Be advised that adjustments may have to be made to make the final fit. Additional work may be needed; keep this in mind when quoting price.

TYPE	FRONT CASTING	TRACTOR & MISC INFORMATION
4		Tractors with 4-hole front casting. Reference Footnote NH NOTE: Hole pattern or frame may vary from illustration - look for 4-holes.
5		Tractors with 6-hole front casting. Reference Footnote NG NOTE: Hole pattern or frame may vary from illustration - look for 6-holes.

## NX & NY FOOTNOTES: All Makes ID

The following will help identify, by picture, what a loader ready tractor or non-loader ready tractor look like.

TYPE	BRACKET	TRACTOR & MISC INFORMATION
NX		For tractors WITHOUT factory loader ready brackets.
NY		For tractors WITH factory loader ready brackets installed in front of fuel tank.



# IDENTIFICATION


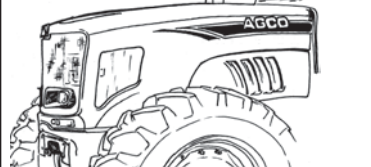
## OB FOOTNOTES: Case IH or New Holland ID

Case and New Holland model numbers and serial numbers do not give us the information we need to order correct mounting brackets for your tractor. The following will help identify what frame you have.

TYPE	FRAME STYLE	TRACTOR & MISC INFO
OB		For tractors with factory TPS horizontal side plates.

## ON & OP FOOTNOTES: Agco ID

Agco model numbers and serial numbers do not give us the information we need to know for ordering correct mounting brackets. The following will help identify, by picture, the type of hood you have on your tractor. Be advised that adjustments may have to be made to make the final fit; keep this in mind when quoting price.

TYPE	HOOD STYLE	TRACTOR & MISC INFORMATION
ON		For tractors with REMOVABLE side panel style hood.  Reference Footnote ON
OP		For Tractors with ONE-PIECE tilt-up hood.  Reference Footnote OP

# BASIC INFORMATION

Having the following information ready will help expedite your order and help ensure accuracy.

### 1.) Basic Tractor Information:

- A. What is the Tractor Make and Model? .....
- B. Is the tractor 2 or 4 Wheel Drive? .....
- C. Does the tractor have a Cab? .....
- D. What is the Front Tire Size?.....
- E. What is the Tire Style?.....
- F. Which Hydraulic System?.....

MAKE  MODEL

2WD  4WD

CAB  NO CAB  ROPS

AG  TURF  IMP. RIB  OTHER \_\_\_\_\_

OPEN CENTER  CLOSED CENTER  PFC

### 2.) Tractor Specific Questions:

You may be asked these questions depending on your tractor. Use the footnotes as a reference.

- A. What Front End does the tractor have? .....
- B. Does the tractor have a Weight Bracket? .....
- C. Does the tractor have a Large Hydraulic Pump? .....
- D. What is the Frame Type?.....
- E. What Series is the tractor?.....
- F. Does the tractor have ROPS? .....
- G. What type of Steering? .....
- J. What type of Transmission?.....
- K. Does the tractor have a Front Pump?.....
- L. What type of Exhaust does the tractor have?.....
- M. Where is the Steering Cylinder?.....
- N. Does the tractor have a Belly Mower? .....
- O. What type of Drive Shaft?.....
- P. Does the tractor have a Drive Shaft Shield? .....
- R. Does the tractor have an Auxiliary Fuel Tank?.....
- S. Does the tractor have Loader Ready Brackets? .....
- T. Does the tractor have a Suspended Front Axle?.....
- U. Is the tractor Super Steer?.....

WIDE  NARROW

YES  NO

YES  NO

YES  NO

POWER  HYDROSTATIC  MECHANICAL

HYDROSTATIC  CLUTCH

YES  NO

DOWNWARD  UPWARD

FRONT OF AXLE  BEHIND AXLE  OTHER

YES  NO

CENTER  OFFSET

YES  NO

YES  NO

YES  NO

YES  NO

YES  NO

## HIGH LIFT LOADERS

Due to the leverage of the highlift models and the hydraulic power to handle a load adequately, these highlift models could be improperly used in a manner that may exceed capacity of the front end. The operator must consider front-end limitations when deciding on the loader usage, and therefore, bears responsibility for damage caused by mis-operation. Like a power saw, a loader is a very useful tool if safety and caution are used. As a dealer you should match the loader to the application. Get in contact with the customer and manufacturer if any questions arise, especially regarding safety.

### THINGS TO CONSIDER ARE:

1. Rear ballast.
2. Mount loader back farther.
3. Wheel base.
4. Tractor size.
5. Operator.
6. Other users.
7. Any uncertainty.

## TIRE SIZE

Throughout this book you will find reference to tire size for many of the loader fits.

The tire sizes listed in this book reflect the size of the tires that were mounted on the tractor we brought in-house for the fit.

Please note that we may be able to fit a larger tire size. Call us with your specific tire size.

## FOOTNOTES

**A**

- AA** Must have rear axle kit. Included in price.  
**AC** Exhaust pipe must be extended. Extensions available at additional charge.  
**AD** Requires special short loader and lift cylinders.  
**AG** Modification of steering is required. See mounting instructions.  
**AK** Caution should be taken the first time raising and lowering the loader to make sure the loader does not hit exhaust pipe. If it is close, cut off the pipe so the loader clears.  
**AL** Requires a special WL-42E loader. Specify when ordering.  
**AM** Front axle or rim must be adjusted per mounting instructions.  
**AO** Front wheels must be set out and/or axle stops are required.  
**AP** Exhaust system may have to be modified by dealer when necessary.  
**AQ** Optional rear axle kit available at additional charge.  
**AR** Lights on cab must be removed. Optional light brackets for relocation are available.  
**AS** See Ford identification chart in Appendix.  
**AT** See Case-IH/ New Holland identification chart in Appendix.  
**AU** See Case-IH or McCormick ID chart in Appendix.  
**AW** Optional cross tube and roller brackets are available for 2WD, for lower profile fit.

**B**

- BA** For tractors with IVT Transmissions.  
**BB** For tractors without IVT Transmissions.  
**BD** We have mounted diesel tractors in this series but some have fuel filter and other items in the way that may require modification. Keep this in mind when establishing the price.  
**BF** Requires special brackets to hold batteries.  
**BG** If batteries are parallel to frame. Must get battery box under step.  
**BH** Type I frame. See Massey identification chart in Appendix.  
**BI** Type II frame. See Massey identification chart in Appendix.  
**BK** Requires replacement of the flop locks on the tower with special locks provided. Modification to the tractors dirt guards are required.  
**BL** Must change flop locks before mounting loader to avoid damage to the tractor hood.  
**BN** Requires WL-64D. Specify when ordering.  
**BQ** Fuel tank is relocated (mountings are provided). Front wheels must be adjusted per mounting instructions. Under EXTREME conditions the tire may rub on the loader.  
**BR** Requires the IHC weight bracket part No. 130235C1 for mounting of the brackets for the loader, provided by the customer. Front axle or rims must be adjusted per mounting instructions.  
**BU** Requires tractor manufacturer's weight bracket provided by the customer.

- BV** Mounts either WL-42 or WL-42A loader.  
**BW** If equipped with auxiliary fuel tank (under right side of the cab) you will require a fuel tank bracket to relocate it. Order bracket part No. 11T662 at additional cost.  
**BY** Muffler must be moved. Relocation kit available from Westendorf Mfg. at additional charge.

**C**

- CB** For gas type only.  
**CC** This bracket set mounts tractors with JD side frame. If your tractor is not equipped, you will need to get a set.  
**CE** Battery cases are relocated. Exhaust pipes must be moved. Relocation kit required, inquire with tractor manufacturer.  
**CF** Recommend WL-21 (WL-22 or 23) only.  
**CH** May require optional valve block for auxiliary hydraulic system available from Westendorf or your tractor dealer.  
**CI** When mounting / dismantling loader, be careful not to snag muffler or damage hood.  
**CJ** Tractor tool box must be removed or relocated.  
**CK** Battery box is relocated. Rear axle kit included in the price.  
**CL** Tractors with radar sensor require additional bracket and parts option.  
**CM** Tractors with large hydraulic pumps use FO10.  
**CO** Bracket interferes with battery box door. Door doesn't drop completely down. It does open enough to jump start.  
**CR** Dirt guard must be modified. WL-42A is recommended. The cab handles must be bent out for clearance. WL-42 sets close to the front axle.  
**CS** Tractors equipped w/Western style front require different front wrap # 0H007.  
**CT** For tractors equipped with Elwood front assist. (Offset drive shaft)  
**CU** For tractors equipped with Dana front assist. (Center line drive shaft)  
**CV** Extremely tight fit. Suggest TA-26 only.  
**CW** For tractors equipped with Dana front assist. (Center line without power steering use VB-8.)  
**CX** Will not fit tractor with Tier 4 compliant engine.  
**CY** Fits tractor with Tier 4 compliant engine.  
**CZ** Fits tractor with or without Tier 4 compliant engine.

**D**

- DA** Fits tractors with upward or downward exhaust and hydrostatic steering only.  
**DB** Tractors equipped with 4 post ROPS will require IH14.  
**DC** Requires an XTA-700D loader.  
**DD** Mounts tractors with upward exhaust and hydrostatic steering only.  
**DE** Requires a TA-46A loader.

- DF** Tractors equipped with center line 4WD shafts order IH7 brackets. For tractors with offset 4WD drive shaft order IH9 for 3000 series, and IH10 for 5000 series tractors.  
**DG** Air tank, toolbox and head lights need to be relocated. Wheels set at 60" center.  
**DH** For non-cab tractor only.  
**DI** Requires TA-111A loader.  
**DJ** Tractors w/ROPS require optional brackets.  
**DK** For tractors w/mechanical steering arm only.  
**DL** Exhaust pipe must be extended, exhaust extension included with brackets.  
**DM** When installing a rear axle kit (included or optional) rear tires must be set out.  
**DN** For 4WD tractors without drive shaft shield only.  
**DO** Tractors with air conditioning will require 6R651 shield at an additional charge to guide the tower past the air conditioner pump when mounting or dismantling the loader.  
**DR** For tractors with power steering.  
**DT** Battery box and fuel tank must be relocated per instructions  
**DU** Fuel tank must be relocated per instructions.  
**DV** For tractors with Turf Tires ONLY.  
**DW** For tractors with cabs.  
**DX** Without cab use FO2 brackets. With cab use FO17 brackets with a TA-25 Loader.  
**DY** Does NOT mount on Series II.  
**DZ** 4WD with drive shaft shield requires #101 tube.

**E**

- EA** Will fit tractor with 380/80 R38 or smaller front tires.  
**EB** Rear axle kit included. Must set front wheels out per mounting instructions.  
**ED** TA-26B for non-cab tractor only. Use Level Up or TA-26H option for self-leveling.  
**EE** Will fit tractor w/12.4 x 24 or smaller front tires.  
**EF** Will fit tractor w/12.4 x 28 or smaller front tires.  
**EG** Will fit tractor w/14.9 x 24 or smaller front tires.  
**EH** Will fit tractor w/14.9 x 28 or smaller front tires.  
**EI** Will fit tractor w/13.6 x 28 or smaller front tires.  
**EJ** Will fit tractor w/16.9 x 28 or smaller front tires.  
**EK** Will fit tractor w/14.9 x 30 or smaller front tires.  
**EL** Will fit tractor w/13.6 x 24 or smaller front tires.  
**EM** Will fit tractor w/11.2 x 24 or smaller front tires.  
**EN** Will fit tractor w/9.5 x 24 or smaller front tires.  
**EO** Will fit tractor w/16.9 x 30 or smaller front tires.  
**EP** Will fit tractor w/9.5 x 22 or smaller front tires.  
**EQ** Will fit tractor with 260/80 R20 or smaller front tires.  
**ER** Will fit tractor w/14.9 x 34 or smaller front tires.  
**ES** Will fit tractor w/16.9 x 24 or smaller front tires.  
**ET** Will fit tractor w/8.5 x 20 or smaller front tires.  
**EU** Will fit tractor w/9.5 x 20 or smaller front tires.  
**EV** Will fit tractor with 380/70 R34 or smaller front tires.  
**EW** CUSTOM - Provide specific tire size.  
**EX** Will not work with belly mower.  
**EY** If ordering auxiliary directional control valve, determine if tractor is equipped with an open center or pressure-flow compensated system.  
**EZ** Mounts with or without belly mower.

## FOOTNOTES

**G**

- GA** Requires XTA-700A specify when ordering.  
**GB** Tractor frame on 300 series MF has changed (except for 362-2WD). This kit is for older tractors w/serial no. below those listed in GC.  
**GC** For 300 series MF w/new style front axle supports or "AG" 4WD axle. Includes 2WD Serial No. starting w/ C49189 (except 362 no change). 4WD Serial No. starting w/C45009. (Exceptions: 362-4WD which start w/ C49162, 398-4WD which starts with C47328, 396-4WD which starts w/ C47022 and 396-4WD Cab which starts w/ C49189).  
**GD** For International, if you have a Farmall you will need to order IH1 brackets.  
**GE** Requires special loader: TA-55SP and valve kit KVJ-10. NOTE: Extra charge on loader.  
**GF** For tractors with steering cylinder in back of front axle.  
**GG** For tractors with "Carroro" front axles, steering cylinder in front of front axle. The front tires will have to be adjusted out. TA-26 is only fit for this front axle.  
**GH** Will mount tractor with cab. Cab tractor requires Kubota valve installed in cab if not equipped with one.  
**GI** Will have to tap hydraulic pressure line. Fitting and instructions included.  
**GJ** For tractors without power steering.  
**GK** Low GPM hydraulics recommend auxiliary hydraulic system.  
**GL** Requires special loader: TA-55SP  
 NOTE: Loader has extra charge. Loader is sold with control valve - if you do not need one, let us know.  
**GM** See Agco-Allis-White ID chart in appendix.  
**GN** For 65" wheel centers, 3" oscillation stops required, steering stops set at max. restriction order OW29 brackets.  
**GO** Loader modification required. See Mounting Instructions.  
**GP** Fits tractors with 4 post ROPS only.  
**GQ** This kit fits downward exhaust.  
**GR** This kit does not fit downward exhaust.  
**GS** Tractors w/serial no. above HSJ038665 need special exhaust kit inc. w/brackets.  
**GT** For 2009 or newer tractor models.  
**GU** For 2008 or earlier tractor models.  
**GV** For tractors w/serial no. less than 340000.  
**GW** For tractors w/serial no. 340000 or greater.  
**GX** For tractors w/serial no. less than K017004  
**GY** For tractors w/serial no. K017004 or greater.

**H**

- HA** For tractors with Tier 3 Perkins Engine.  
**HB** For tractors with Tier 3 Sisu Engine.

**M**

- MA** Requires exhaust extension part number EXH-20 at additional cost. Can UPS.  
**MB** Requires rear axle kit part #16H653 at additional cost. Shipping Wt. 100#.

- MC** Optional rear axle kit available at extra charge. Part Number 16H653. Shipping Wt. 100#  
**MD** Cab tractor requires TA-26SP and bracket kit DE1-26SP. This is a special loader, it must be ordered this way. Brackets Ship. Wt. 250#. Call for additional charges.  
**ME** Tractor w/downward exhaust requires optional parts.  
**MF** Optional valve is required. Hose kit is equipped with 6 hoses for a valve. The MA-30 manifold is part of mounting kit.  
**MG** Fits with or without cab. If tractor is equipped with ROPS order part No. 2H658 at additional cost. Rear axle kit will need to be cut off.  
**MI** Tractors equipped with mechanical steering arm, order part No. 22H601 at additional cost.  
**MJ** If tractor has 14.9 X 28 front tires, order special post and tower extension part No. 6H657 at additional cost.  
**MK** If equipped with auxiliary fuel tank order part No. 11H656 at additional cost.  
**ML** Requires special loader TA-28SP.  
**MM** Early 1980 model tractor.  
**MN** Late 1990 model tractor. Remake of earlier model with different frame.  
**MP** This fit requires a special U3 bucket.  
**MQ** TA-46B for non-cab tractor only. Use TA-46H or Level Up option for self-leveling.  
**MR** If ordering auxiliary hydraulic valve, PFC valve is required. See price guide for additional information.  
**MS** Requires valve w/power beyond option.  
**MT** Front fenders must be removed.  
**MU** Uses different cross tubes for 2 & 4WD.  
**MV** Lights must be relocated using brackets furnished by Westendorf Mfg.  
**MW** Auxiliary hydraulic outlets must be ordered through tractor dealer.  
**MX** This tractor is equipped with an auxiliary hydraulic control valve. The valve offered with the loader is not needed.  
**MY** Throttle valve required at extra charge.  
**MZ** Loader will require two ST-150 short shoes at extra charge.

**N**

- NA** Requires exhaust extension EXK-018 - at additional cost.  
**NB** Requires extra part at added charge.  
**NC** Tractors with wide fronts & tie rod behind front axle use CD2 or 21/27CD1. With tie rod in front of front axle use CD38.  
**ND** For tractor with side mounted steering cylinder, check bracket chart for other kits.  
**NE** Will not fit tractor with side mounted steering cylinder; check bracket chart for other kits.

- NG** For tractor with 6-hole front casting. See NH or Oliver I.D. chart for other types.  
**NH** For tractor with 4-hole front casting. See NH or Oliver I.D. chart for other types.  
**NJ** This kit fits Super Steer and Non-Super Steer tractor.  
**NK** Requires non-standard Front Wrap. No added charge with loader package; may add cost to bracket set. Call.  
**NM** Will not fit tractors with ROPS in front tractor platform.  
**NO** Tractors without manufacturers weight bracket require optional parts.  
**NP** Mud shields on tractor platform must be removed.  
**NQ** For 4WD tractors with 6" drive shaft shield only.  
**NR** This kit will NOT fit Super Steer Tractors.  
**NS** Tractors w/steering cylinder under the front weight bracket requires extra parts at additional charge.  
**NT** For tractors with suspended front axle only. Eg. Triple Link Terraglide, etc.  
**NU** If tractor is equipped w/an auxiliary hydraulic control valve for loader, the valve offered with a Westendorf loader is not needed. Order optional hydraulic package for no valve.  
**NV** For tractors without suspended front axle only. eg. Triple Link, Terraglide, etc.  
**NW** For tractors with exhaust along front of cab.  
**NX** For tractors without factory rear loader brackets.  
**NY** For tractors with factory loader ready brackets (old style).  
**NZ** This kit fits Super Steer or Ultra Steer tractors.

**O**

- OA** The loader tower must be notched out to allow the shoe to reach the cross tube.  
**OB** For tractors with factory TPS horizontal side plates. If tractor is not equipped, they must be purchased. Available from Westendorf.  
**OC** Will not fit tractor w/front casting wider than frame.  
**OD** For tractor w/front casting wider than frame.  
**OE** Hood modification required. See instructions.  
**OF** For tractors with optional side rails.  
**OG** For tractors without optional side rails.  
**OH** Direct plumbing kit for aux. hydraulic system is included with the bracket set.  
**OI** Direct plumbing kit for aux. hydraulic system available at additional charge.  
**OJ** TA-2612 loader fit not recommended.  
**OL** For non-compact tractors only.  
**OM** For compact tractors only.  
**ON** For tractors w/removable side panel hood.  
**OP** For tractors with one-piece tilt-up hood.  
**OS** If tractor is equipped with factory TPS horizontal side plates, they must be removed.

**X**

- XA** Call Westendorf for information about this fit.



**New  
Ways**

**New  
Products**

**New  
Service**

A complete line of loaders for both 2WD and 4WD drive tractors ranging from 10 HP to 325 HP. We fit over 17,000 different makes and models of tractors, we have a loader that will fit your tractor and material handling application.



**WESTENDORF MFG. CO., INC.**

PO BOX 29 • HWY 175 W

ONAWA, IOWA 51040

Call Toll Free: 1-866-423-2762

Fax: 712-423-1460

Email: [sales@westendorfmfg.com](mailto:sales@westendorfmfg.com)

Web Site: [www.loaders.com](http://www.loaders.com)



**MAX**SERIES